

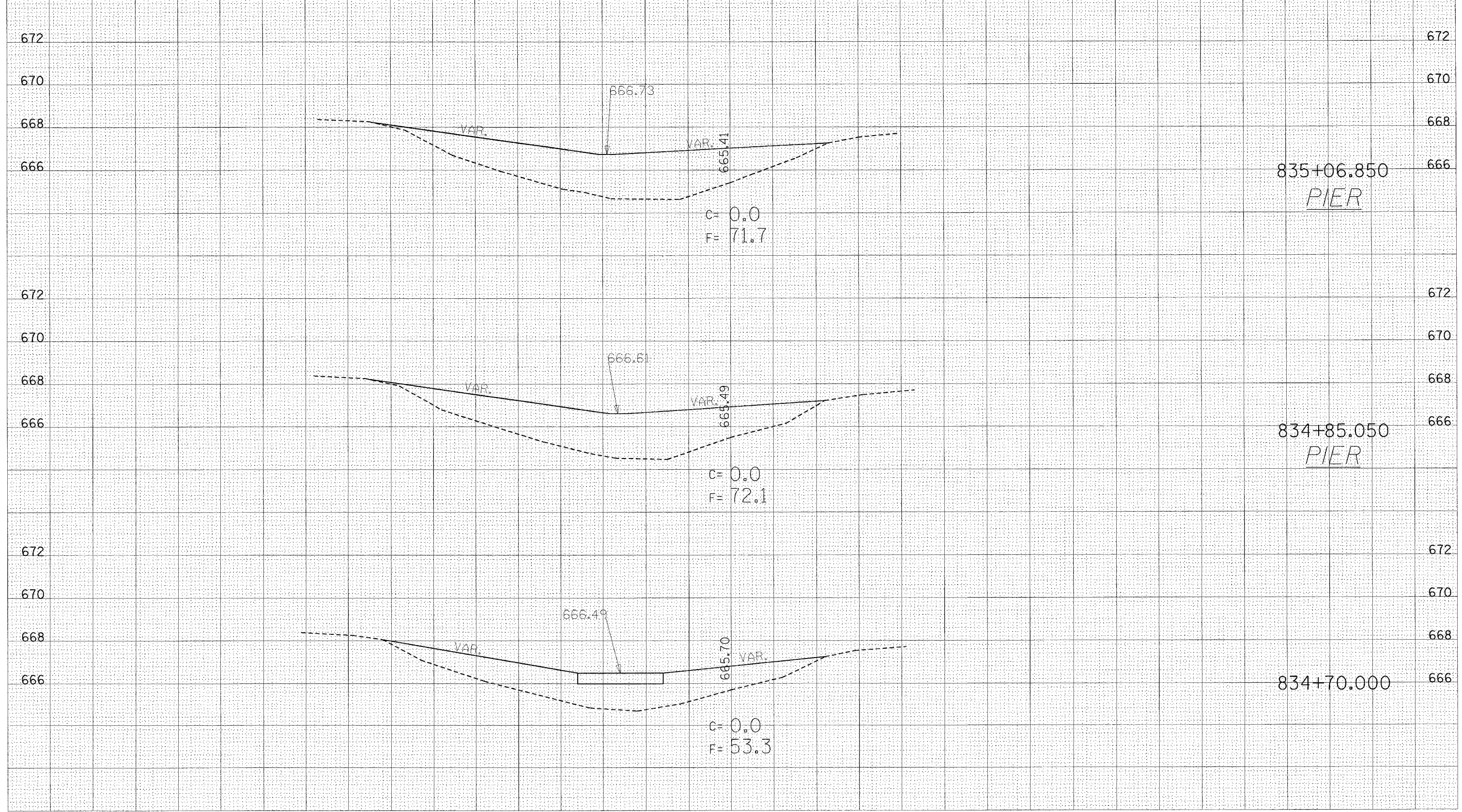
75 70 65 60 55 50 45 40 35 30 25 20 15 10 5 0 5 10 15 20 25 30 35 40 45 50 55 60 65 70 75

\* 158-62.58-62-1.98-63JRS  
CONTRACT NO. 90879

F.A.I. RTE.	SECTION	COUNTY	TOTAL SHEETS	SHEET NO.
72	.	MACON	135	131
STA. 834+70.00 TO STA. 835+06.850				
FED. ROAD DIST. NO. ILLINOIS FED. AID PROJECT				

058-0076

DATE	
BY	
DESIGNED	
PLOTTED	
TEMPLATE	
AREAS	
INCHES CHECKED	
NO.	
FINAL SURVEY	
NOTE BOOK	
NO.	



DATE	
BY	
DESIGNED	
PLOTTED	
TEMPLATE	
AREAS	
INCHES CHECKED	
NO.	
ORIGINAL SURVEY	
NOTE BOOK	
NO.	

75 70 65 60 55 50 45 40 35 30 25 20 15 10 5 0 5 10 15 20 25 30 35 40 45 50 55 60 65 70 75