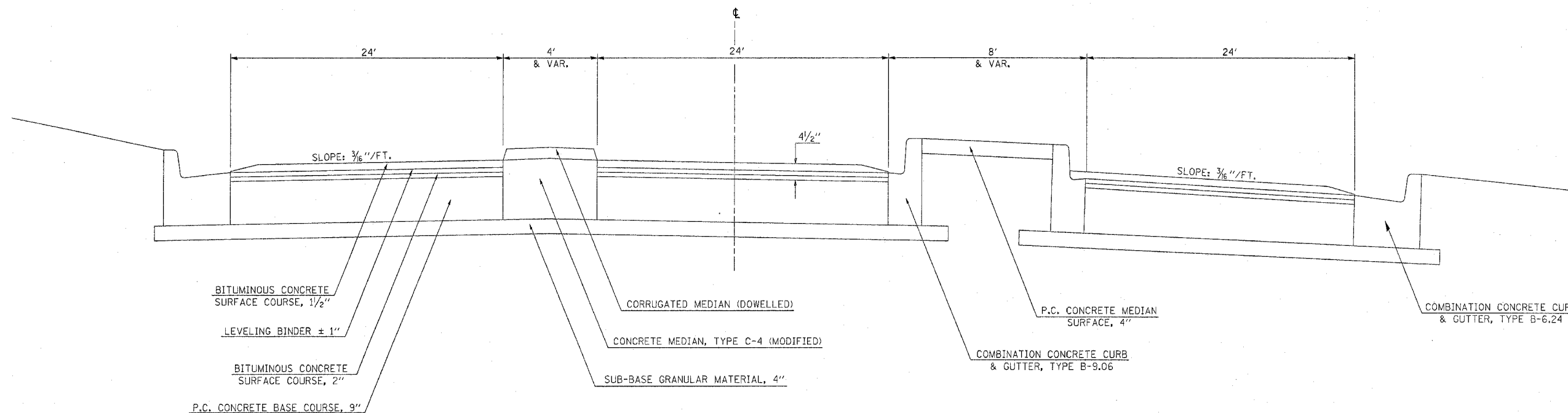


F.A.P. RTE.	SECTION	COUNTY	TOTAL SHEETS	SHEET NO.
320		MACON	51	7

(126X)RS-1&135[(R)RS&(BR-1)BR]  
CONTRACT NO. 90926

### EXISTING TYPICAL CROSS SECTION

STATION TO STATION  
55+61.20 TO 56+77.00



### EXISTING TYPICAL CROSS SECTION

STATION TO STATION  
66+50.00 TO 69+44.01  
8+89.25 TO 12+59.73  
STATION EQUATION: 69+44.01 (BK) = 8+89.25 (AH)

