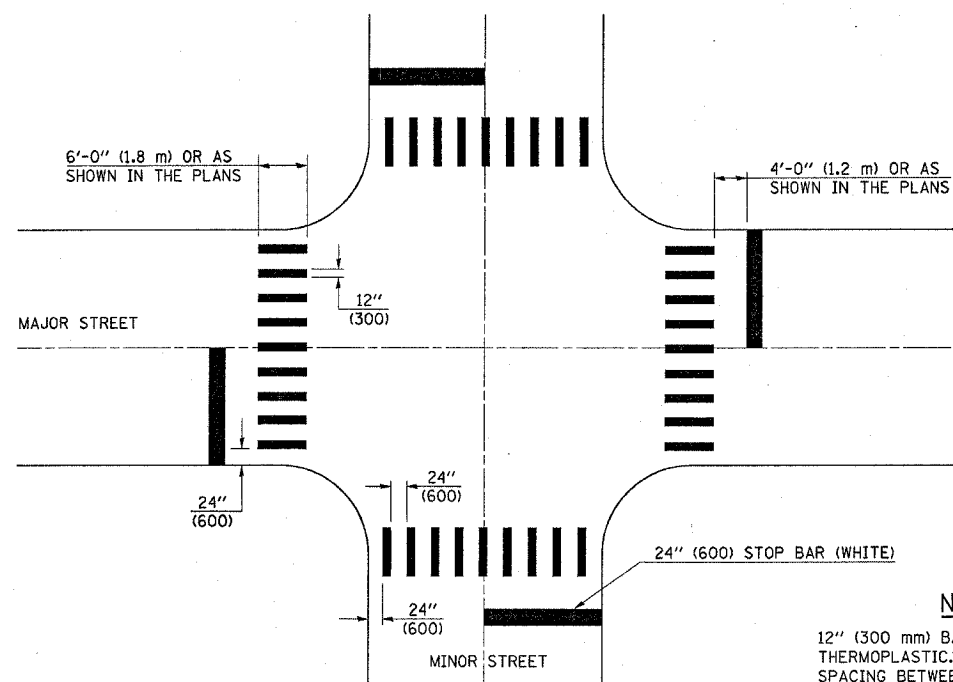


F.A.P. RTE.	SECTION	COUNTY	TOTAL SHEETS	SHEET NO.
320		MACON	51	50

(126)RS-1&135(R)RS&(BR-1)BR1
CONTRACT NO. 90926

DETAIL OF CROSSWALK MARKINGS

(FOR USE IN CITY OF DECATUR)



NOTES

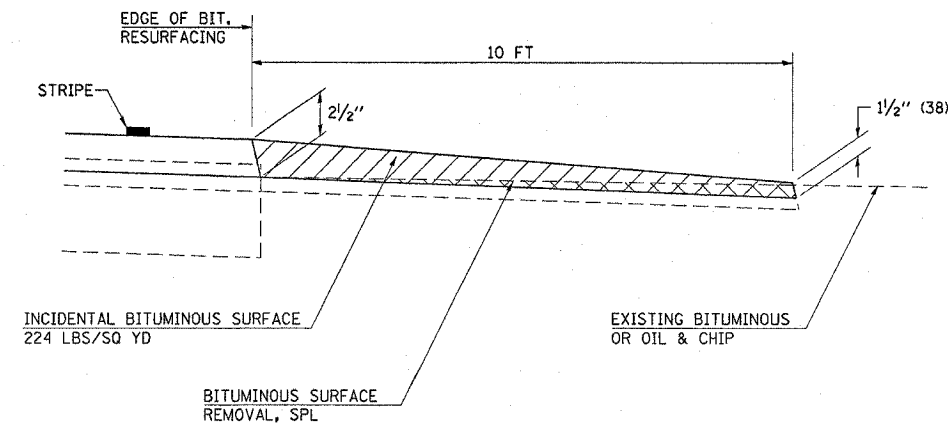
12" (300 mm) BARS SHALL BE WHITE THERMOPLASTIC. SPACING BETWEEN 12" (300 mm) BARS SHALL BE 24" (600 mm).

ALL DIMENSIONS ARE IN INCHES (MILLIMETERS) UNLESS OTHERWISE SHOWN.

	NAME	DATE	REVISIONS	
DESIGNED	W.R.G.	11-95	NAME	DATE
CHECKED	D.L.P.	12-95	K.A.G.	02/04
CADD NO.	F-5.23			

PRIVATE ENTRANCE, COMMERCIAL ENTRANCE, OR SIDEROAD

(P. C. C.)

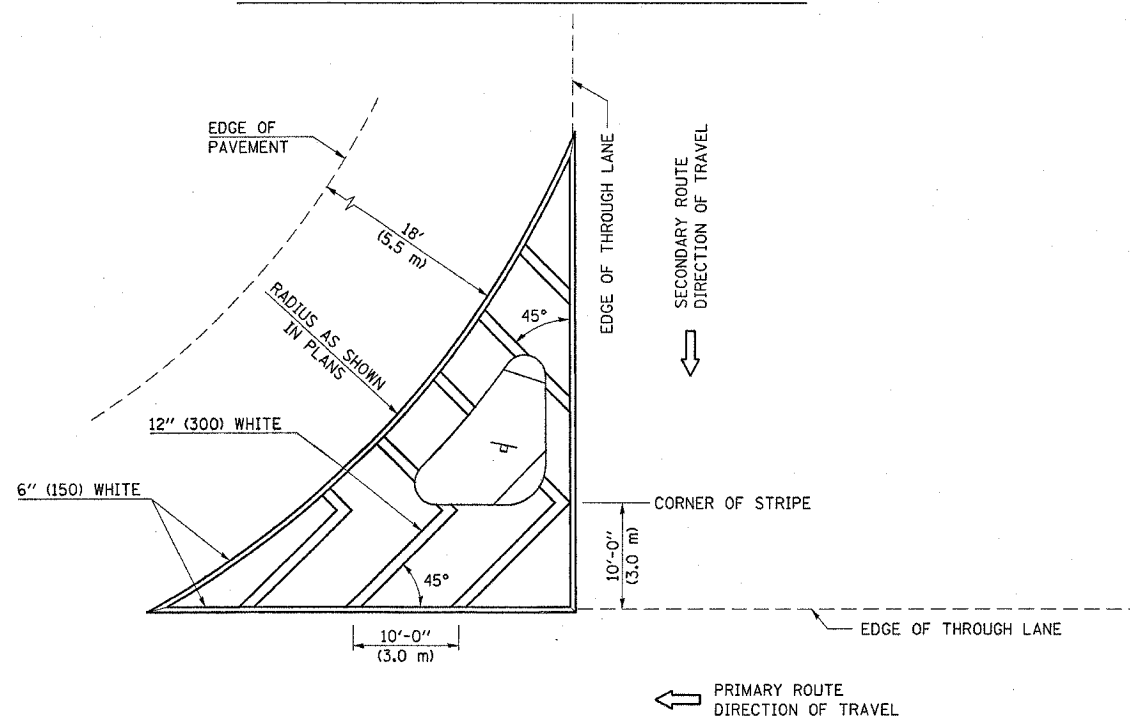


NOTES: THE INCIDENTAL BITUMINOUS SURFACING IS INTENDED TO RESURFACE THE EXISTING ENTRANCES IN THEIR ENTIRETY. THE EXISTING SIDEROADS SHOULD BE RESURFACED TO MAINTAIN THEIR CURRENT RADII.

ALL DIMENSIONS ARE IN INCHES (MILLIMETERS) UNLESS OTHERWISE SHOWN.

	NAME	DATE	REVISIONS	
DESIGNED	D.A.S.	7/98	NAME	DATE
CHECKED	D.L.P.	7/98	K.A.G.	06/03
CADD NO.				

DETAIL OF TYPICAL PAINTED ISLAND



ALL DIMENSIONS ARE IN INCHES (MILLIMETERS) UNLESS OTHERWISE SHOWN.

	NAME	DATE	REVISIONS	
DESIGNED	C.K.P.	11-97	NAME	DATE
CHECKED	D.L.P.	11-97	J.L.A.	06/03
CADD NO.	F-5.15			