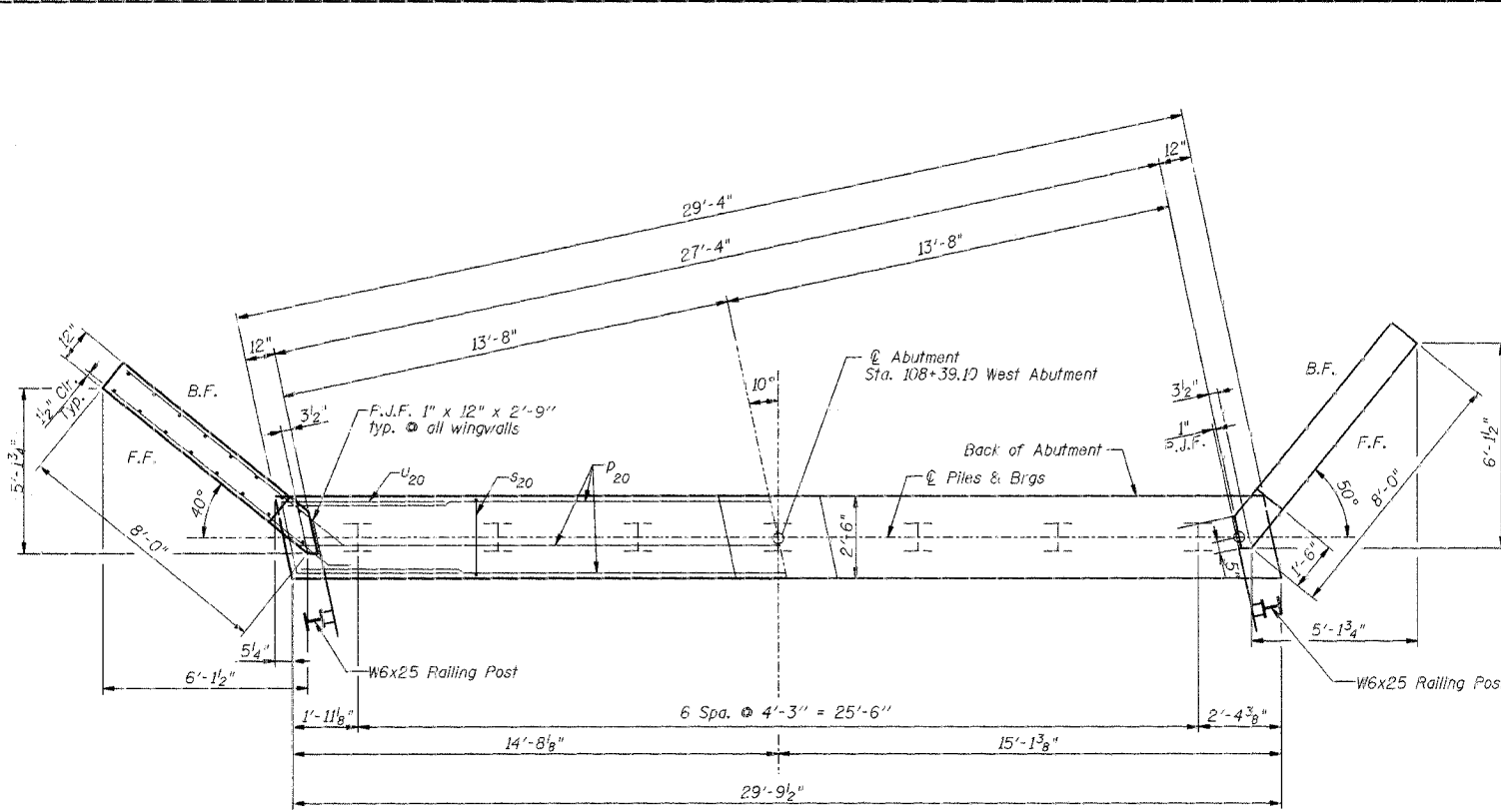
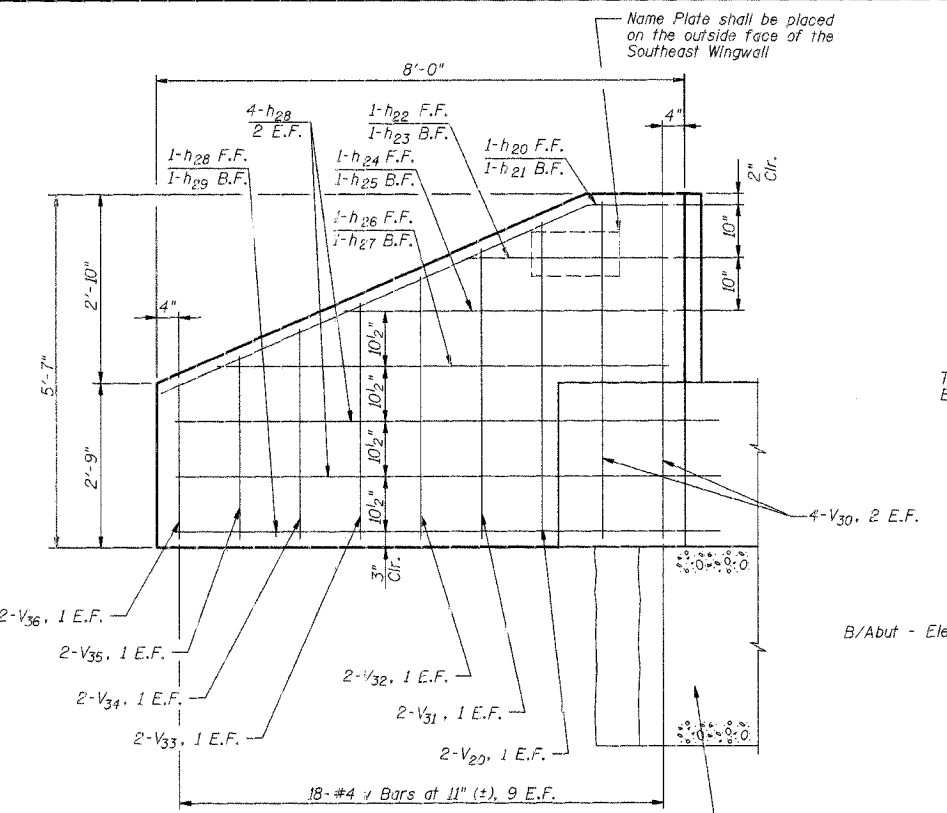


ROUTE NO.	SECTION	COUNTY	TOTAL SHEETS	SHEET NO.
TR 447	*	Vermilion	16	6
FED. ROAD DIST. NO. 7		FUNDING		FED. AID PROJECT

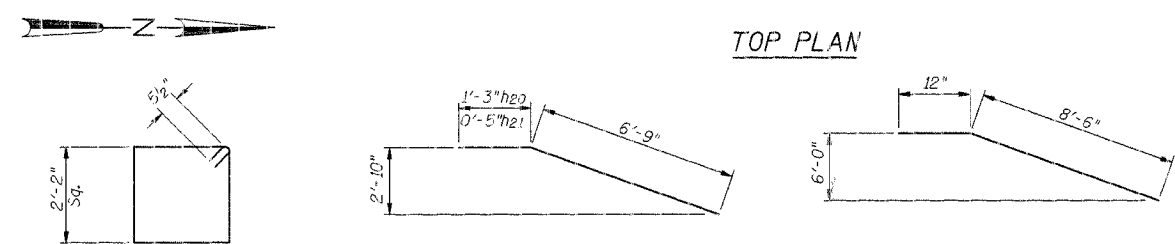
\*00-03128-00-BR



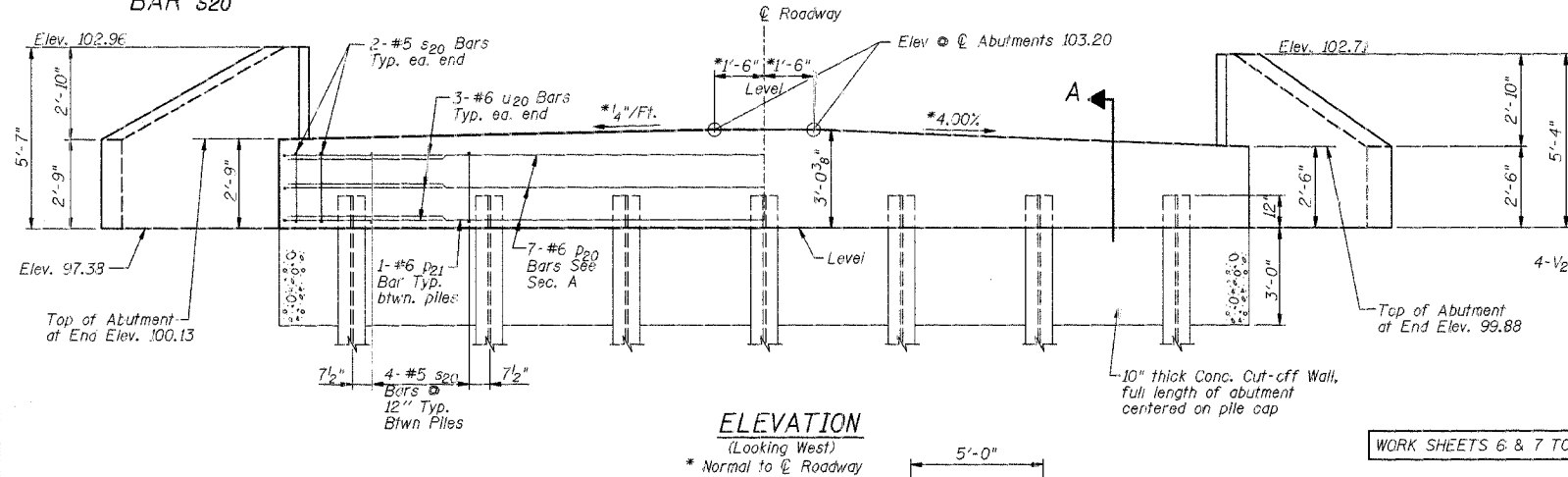
TOP PLAN



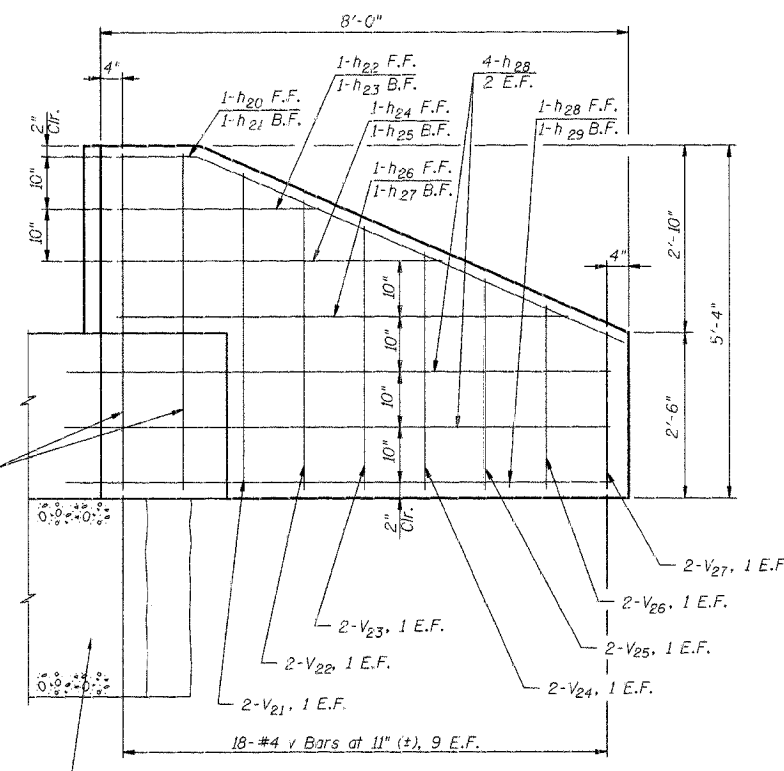
SOUTH WINGWALL ELEVATION



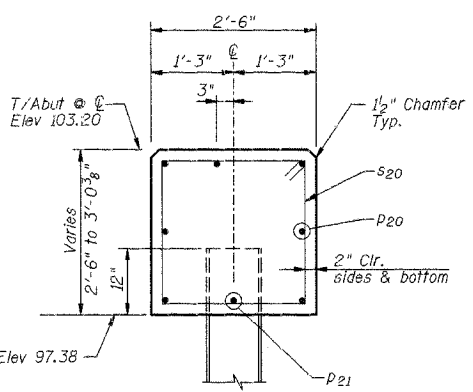
BAR s20, BAR h20, h21, BAR h26



ELEVATION (Looking West)



NORTH WINGWALL ELEVATION



SECTION A

BILL OF MATERIAL - 2 ABUTS.

Bar	No.	Size	Length	Shape
h20	4	#5	8'-0"	
h21	4	#5	7'-2"	
h22	4	#5	3'-0"	
h23	4	#5	2'-2"	
h24	4	#5	4'-11"	
h25	4	#5	4'-1"	
h26	4	#5	6'-10"	
h27	4	#5	6'-0"	
h28	20	#5	9'-6"	
h29	4	#5	8'-4"	
p20	14	#6	29'-5"	
p21	12	#6	3'-9"	
s20	56	#5	9'-7"	
u20	12	#6	12'-1"	
v20	12	#4	5'-0"	
v21	4	#4	4'-8"	
v22	4	#4	4'-3"	
v23	4	#4	3'-10"	
v24	4	#4	3'-6"	
v25	4	#4	3'-1"	
v26	4	#4	2'-8"	
v27	4	#4	2'-3"	
v30	8	#4	5'-3"	
v31	4	#4	4'-6"	
v32	4	#4	4'-1"	
v33	4	#4	3'-8"	
v34	4	#4	3'-4"	
v35	4	#4	2'-11"	
v36	4	#4	2'-6"	
Concrete Structures	Cu. Yds.		20.3	
Reinforcement Bars	Lbs.		2060	
Furnish Steel Piles, HPI0x42	Foot		396	
Test Pile, Steel HPI0x42	Each		2	
Driving Steel Piles	Foot		396	
Metal Shoes	Each		12	
Name Plate	Each		1	
Concrete Cut-off Wall	Cu. Yds.		5.6	
Structure Excavation	Cu. Yds.		39	

PILE DATA

Type: Steel HP 10 x 42  
 No. Required: 6 East Abutment, 6 West Abutment  
 Capacity: 32 T/Pile @ East Abutment, 32 T/Pile @ West Abutment  
 Est. Length: 33 Ft. E. Abutment, 33 Ft. W. Abutment  
 Test Piles: 1 East Abutment, 1 West Abutment

NOTE: All edges shall have Standard 3/4" Chamfer, except as noted.

DSGN R.T. Mumm				
DR R.T. Mumm				
CHK K.E. Brandau				
APVD K.E. Brandau	NO.	DATE	REVISION	BY APVD

FRAUENHOFFER

Frauenhoffer and Associates, P.C. Consulting Engineers  
 3002 Crossing Court Champaign, IL 61822 217-351-6268

WEST ABUTMENT

CARROLL ROAD DISTRICT  
 SECTION 00-03128-00-BR  
 VERMILION COUNTY

SHEET 6
DWG car-wabt.dgn
DATE MAR 2004
PROJ NO. 3080