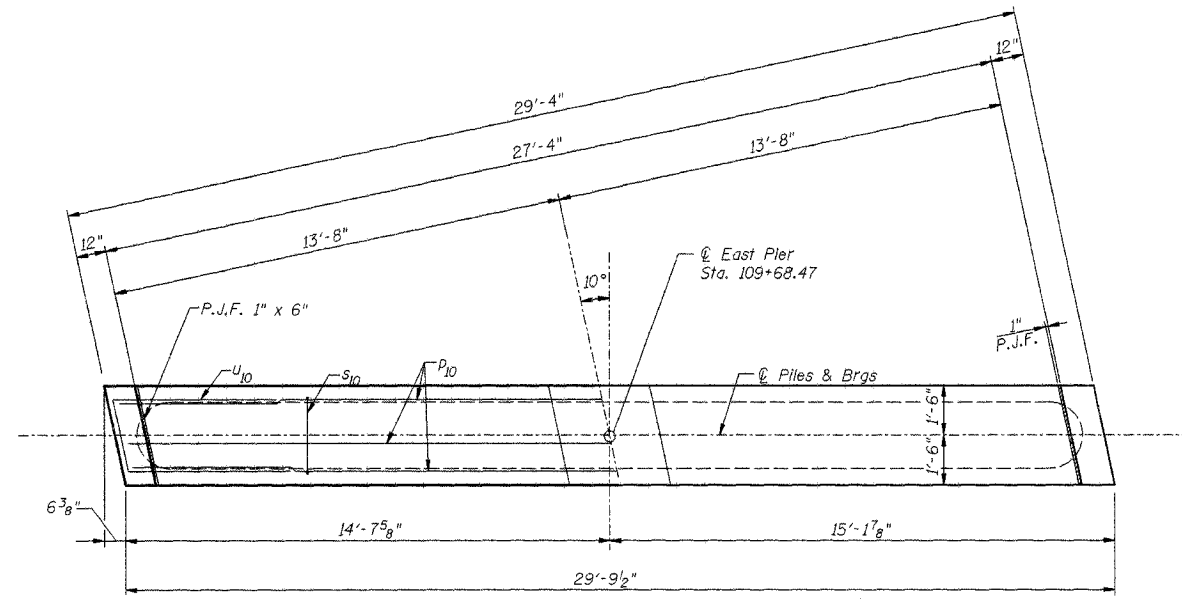
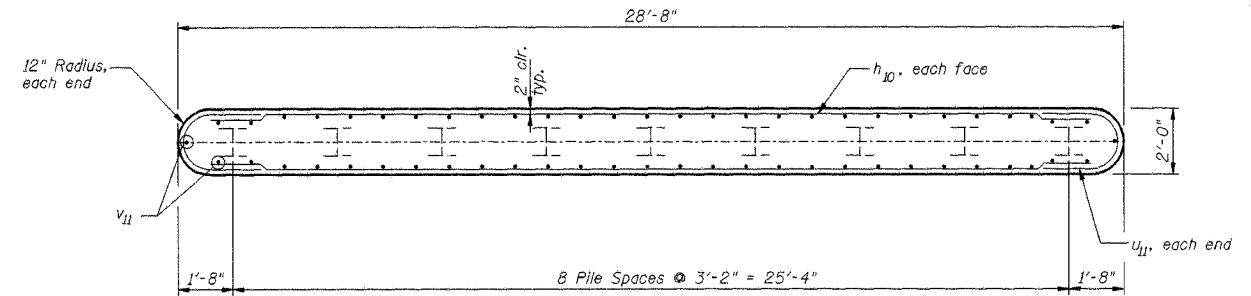
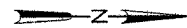


ROUTE NO.	SECTION	COUNTY	TOTAL SHEETS	SHEET NO.
TR 447	*	Vermilion	16	9
FED. ROAD DIST. NO. 7		ILLINOIS		FED. AID PROJECT-

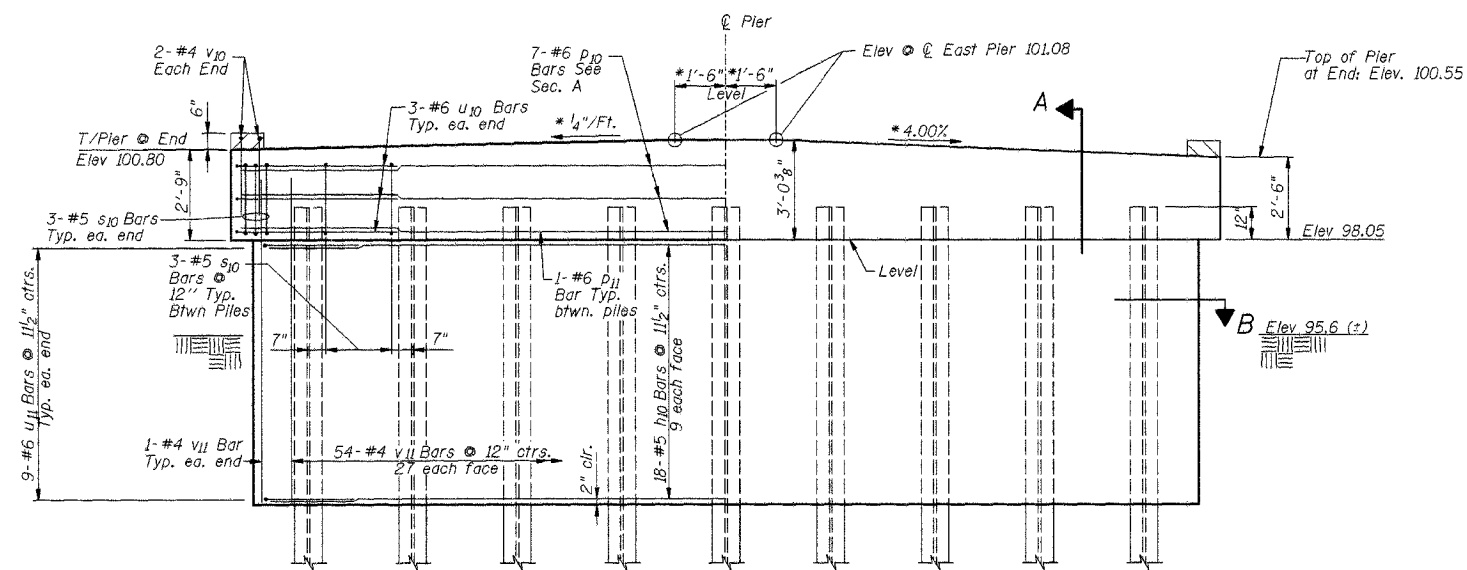
*00-03128-00-BR



PLAN

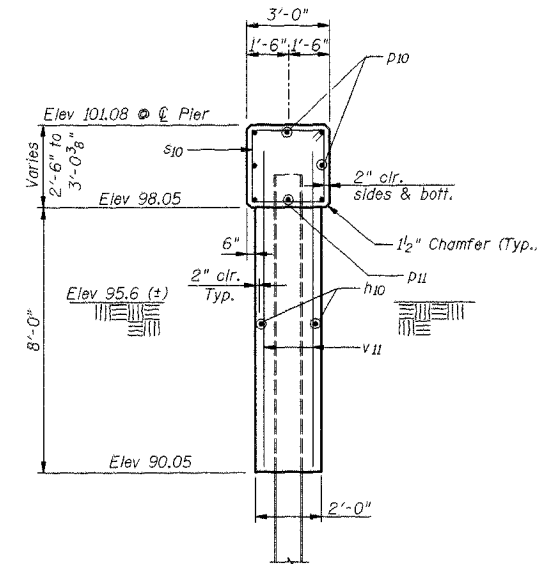


SECTION B



ELEVATION

(Looking West)
* Normal to Centerline of Roadway



SECTION A

WORK SHEETS 8 & 9 TOGETHER

PILE DATA

Type: Steel HP 10 x 42
 No. Required: 8 West Pier
 8 East Pier
 Capacity: 41 T/Pile @ West Pier
 41 T/Pile @ East Pier
 Est. Length: 40 Ft. West Pier
 40 Ft. East Pier
 Test Piles: 1 West Pier
 1 East Pier

DSGN	R.T. Mumm				
DR	R.T. Mumm				
CHK	K.E. Brandau				
APVD	K.E. Brandau	NO.	DATE	REVISION	BY

FRAUENHOFFER

Frauenhoffer and Associates, P.C. Consulting Engineers
 3002 Crossing Court Champaign, IL 61822 217-351-6268

EAST PIER
 CARROLL ROAD DISTRICT
 SECTION 00-03128-00-BR
 VERMILION COUNTY

SHEET	9
DWG NO.	car-FR.dgn
DATE	APR 2004
PROJ NO.	3080