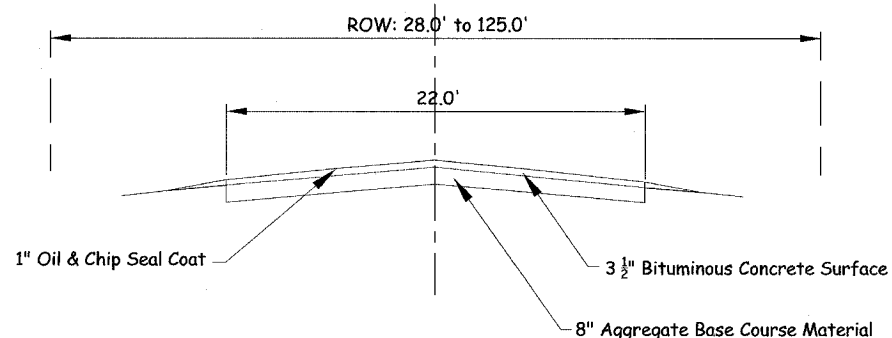


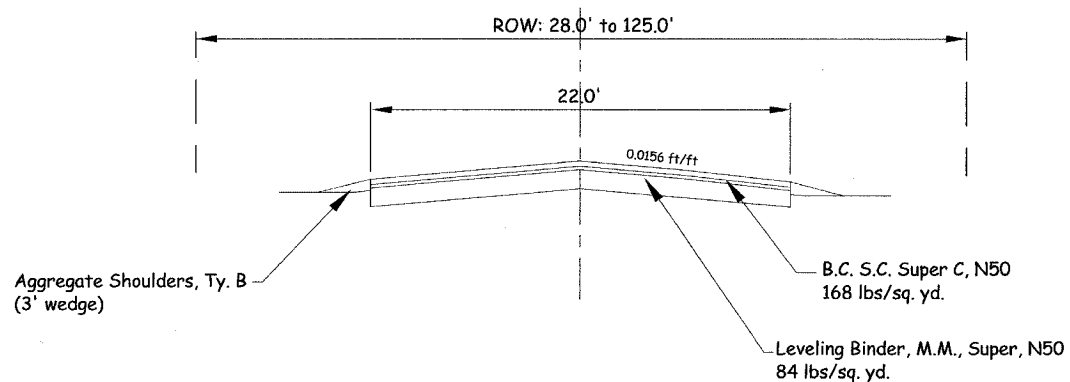
Typical Cross Section

Section A
-- Station 0+00 to 97+94

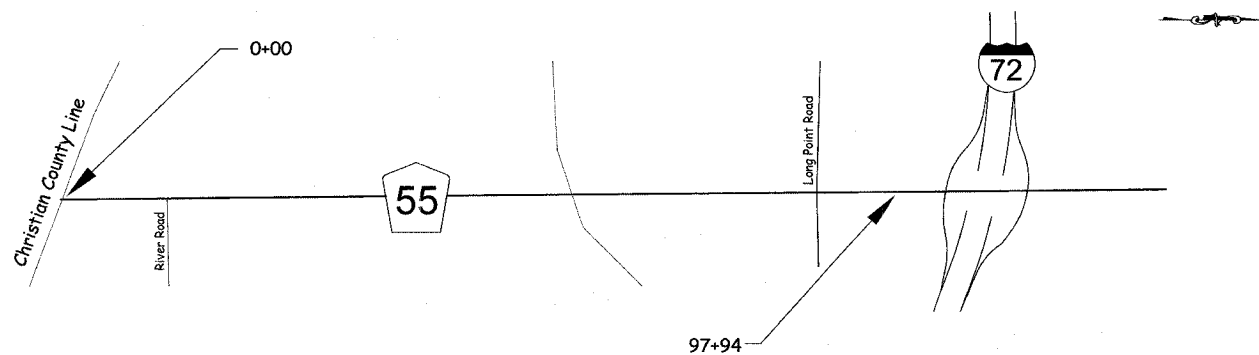
Existing Section



Proposed Section



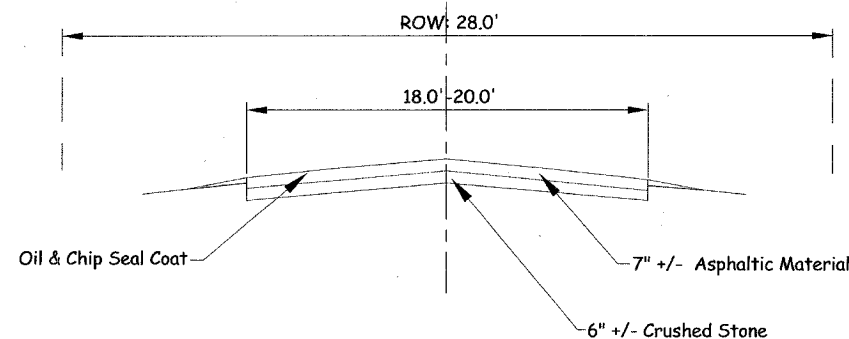
Strip Map for Section A



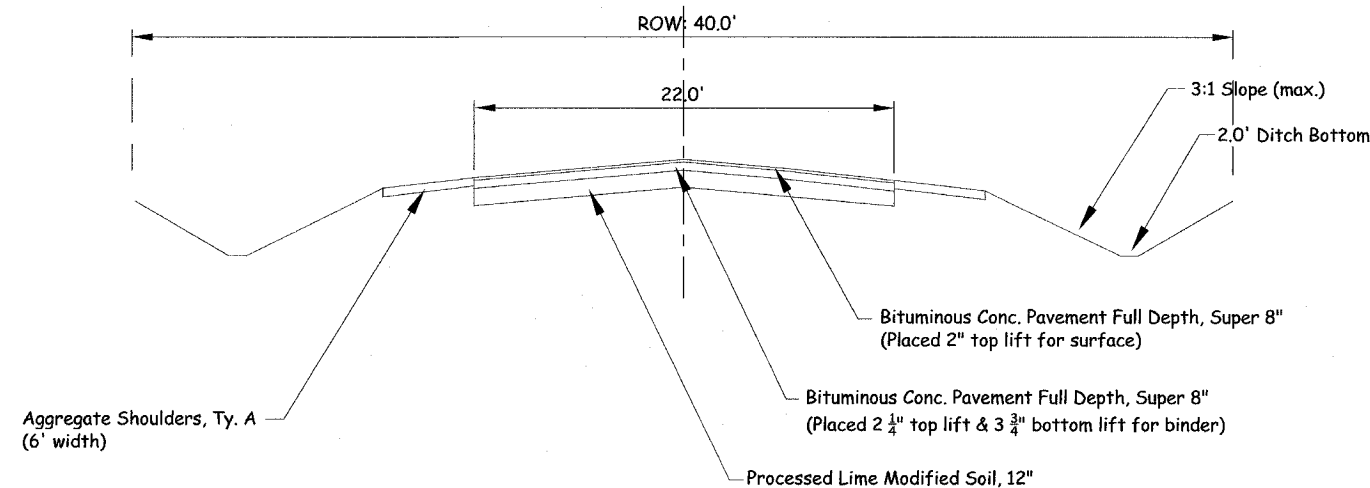
Typical Cross Section

Section B
-- Station 134+99 to 150+13

Existing Section



Proposed Section



Note: Cross slope will maintain 3/16" per foot.

	County Highway 55	Design by: RAJ	Approved by: XXX
	Section 03-00176-00-PV	Drawn by: RAJ	Date: 09/13/04
	Typical Cross Sections	Checked by: XXX	CAD Reference: XXXXXX
	Macon County - Engineering Division		Sheet 4 of 25