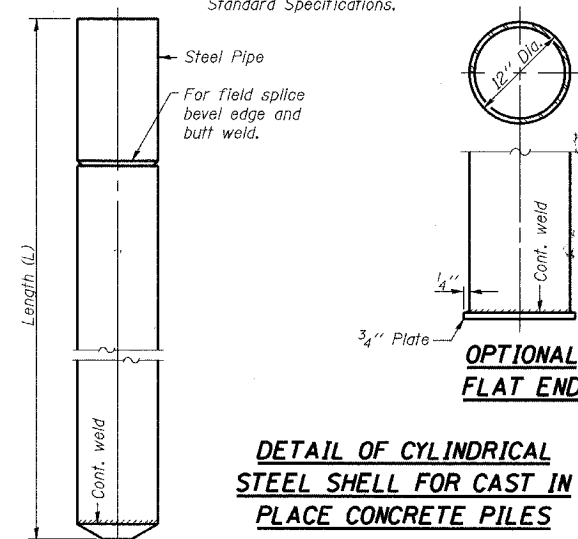


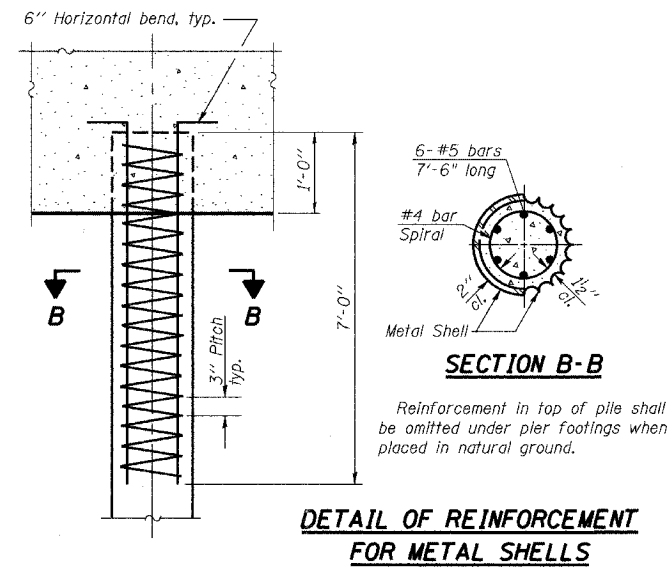
ROUTE NO.	SECTION	COUNTY	TOTAL SHEETS	SHEET NO.
C.H. 54	03-00177-00-BR	MACON	16	16
FED. ROAD DIST. NO.		ILLINOIS	PROJECT	

CONTRACT NO. 91317

Notes: Driving and bearing ends of pipe shall be cut square. The thickness of the shell shall be 0.250 inches with a tolerance of 5%. The shell shall be according to Article 1006.05(a) of the Standard Specifications.



DETAIL OF CYLINDRICAL STEEL SHELL FOR CAST IN PLACE CONCRETE PILES



DETAIL OF REINFORCEMENT FOR METAL SHELLS

PILE DETAILS			
Date	Designed MJP	C.H. 54 OVER SOUTH FORK CREEK SECTION 03-00177-00-BR MACON COUNTY STA. 15+03.44 PROP. STR. NO. 058-3365	Sheet No.
Revisions	Drawn BKN		8
	Checked GAC		of 8
	Approved KWB		URS Job No.
Prepared by:	URS 3040 North University Avenue Decatur, IL 62526		36431205