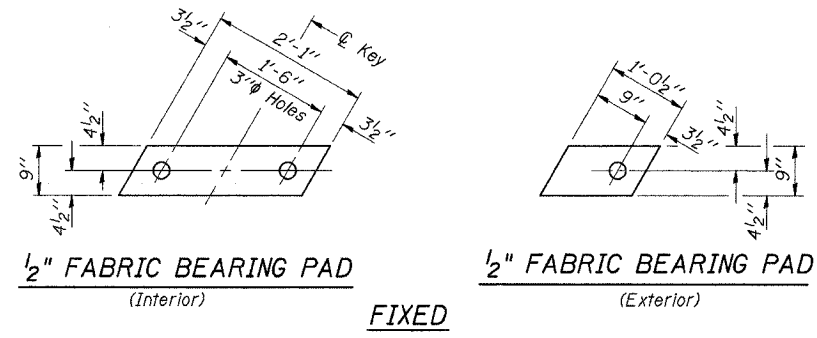
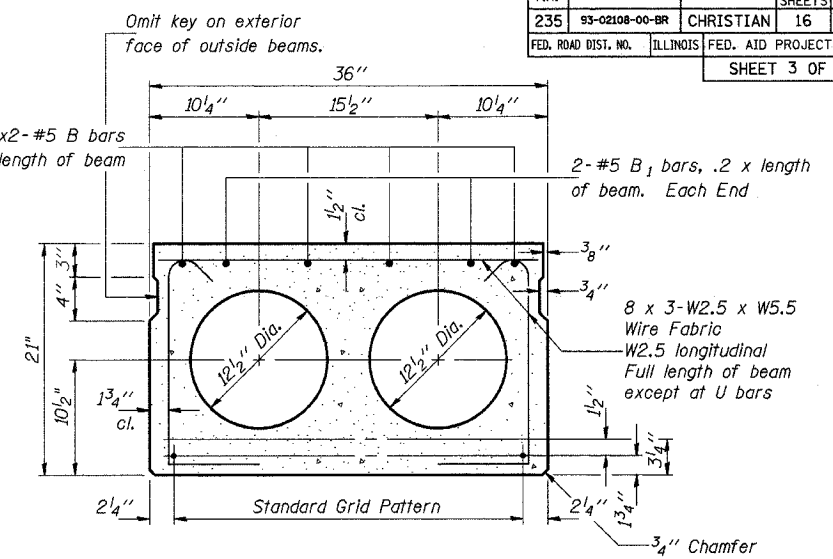
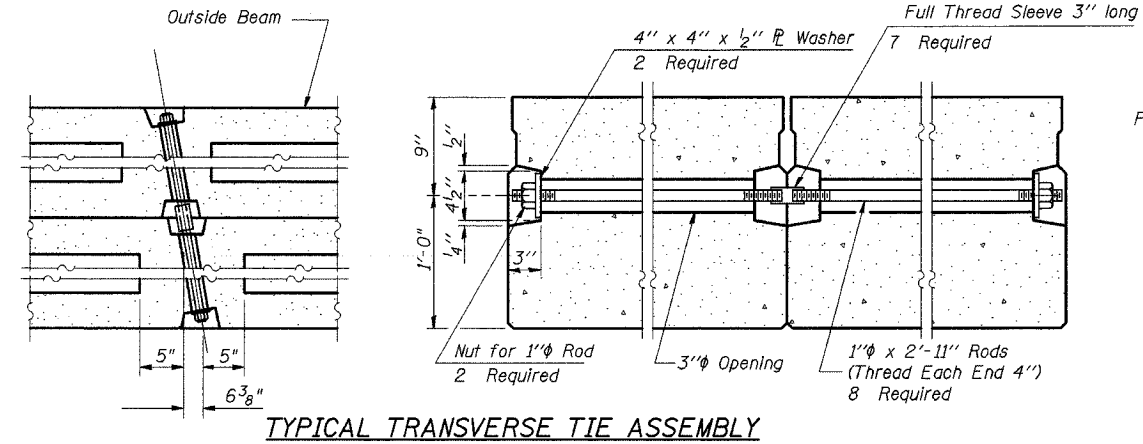


T.R.	SECTION	COUNTY	TOTAL SHEETS	SHEET NO.
235	93-02108-00-BR	CHRISTIAN	16	12
FED. ROAD DIST. NO.	ILLINOIS	FED. AID PROJECT		
SHEET 3 OF 7				

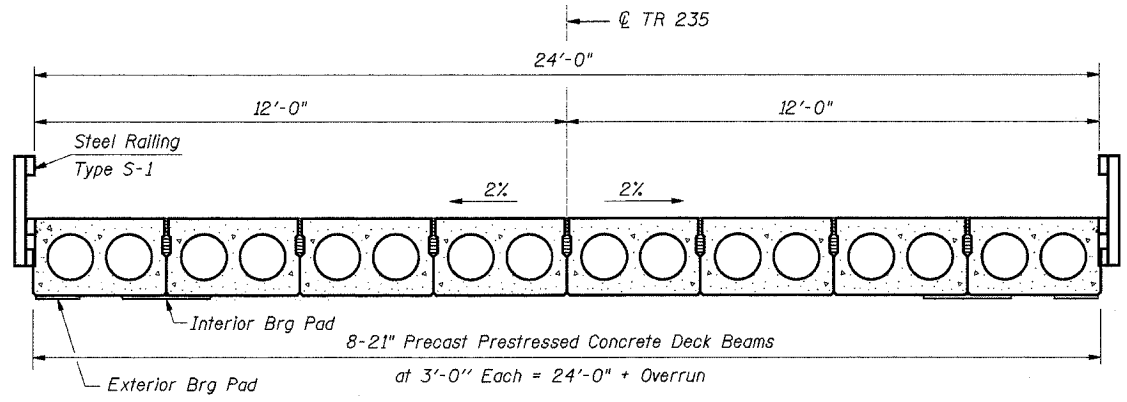
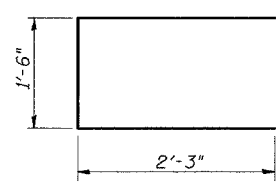


**FIXED**



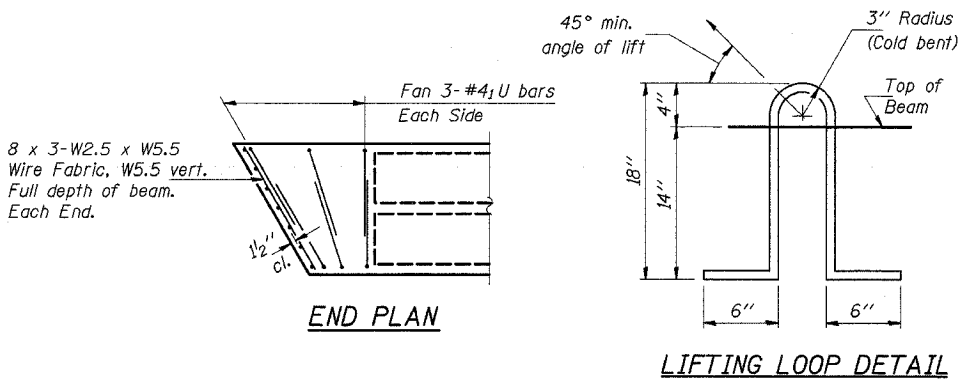
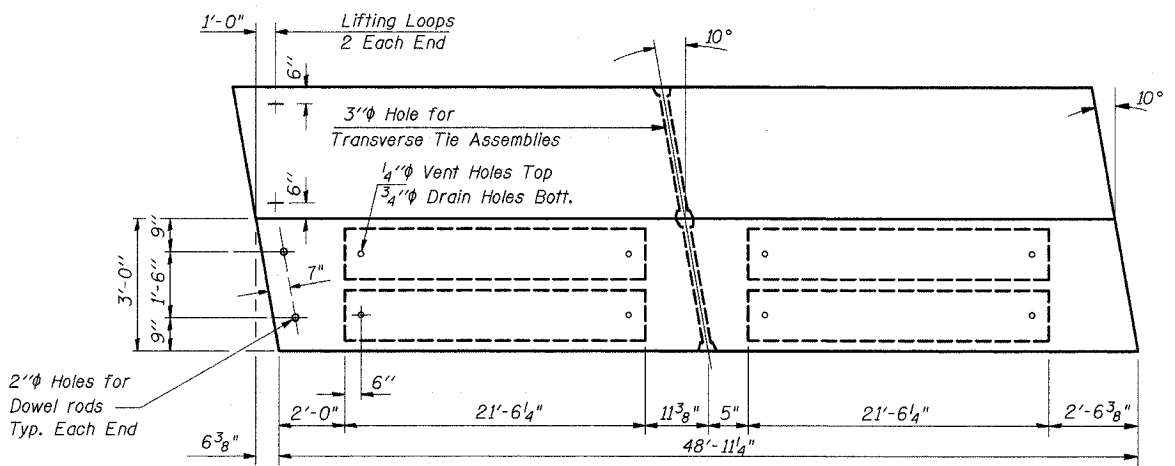
16-1/2" Strands, Each Strand Stressed to 28,900 Lbs.  
6-Strands 1 3/4" up, 8-Strands 3/4" up, 2-Strands 9" up

Note: Place strands symmetrically about centerline of beam.



**BILL OF MATERIAL**

Bar	No.	Size	Length	Shape
B	8	#5	25'-5"	—
B1	4	#5	9'-8"	—
U1	12	#5	6'-0"	U
Precast Prestressed Conc. Deck Bms. 21"			Sq. Ft.	1175



**NOTES**

Prestressing steel shall be uncoated high strength, stress-relieved 7-wire strand, Grade 270. The nominal diameter shall be 1/2" and the nominal cross-sectional area shall be 0.153 sq. in. Lifting loops shall be 2-1/2" 270 ksi strands, as shown. The 1" rods in the transverse tie assembly shall be tightened to a snug fit and the threads set. Pockets that receive transverse tie bar on outside shall be filled with grout after transverse tie assembly is in place. Reinforcement bars shall conform to the requirements of AASHTO M-31, M-42 or M-53 Grade 60. The bearing seat surfaces shall be adjusted by shimming to assure firm and even bearing. Two 1/8" fabric adjusting shims of the dimensions of the Exterior Bearing Pad shall be provided for each bearing. Keyway surfaces shall be cleaned to remove form oil or other bond breaking material prior to shipment of the beams. Cleaning shall be done by sandblasting the keyway areas between top of the beam and the bottom edge of the key. Required Release Strength, f'ci, shall be 4000 p.s.i. An equal substitution of the low-relaxation strands for the stress-relieved strands will be permitted. Rail Post Anchor Devices to be cast into Exterior Face of Outside Beams as specified elsewhere.

**SPAN 2 BEAM DETAILS**  
**T.R. 235 OVER PRAIRIE FORK CREEK**  
**SECTION 93-02108-00-BR**  
**CHRISTIAN COUNTY**  
**STR. NO. 011-3399**  
**STA. 5+47.00**

**ie** INTERNATIONAL ENGINEERING CONSULTANTS, INC.  
 8420 SOUTH SIXTH STREET  
 SPRINGFIELD, ILLINOIS 62707  
 TEL. (217) 529-8037  
 FAX. (217) 528-4543  
 IESPRINGFIELD@IE-CONSULTANTS.COM  
 WWW.IE-CONSULTANTS.COM

DRAWN BY:	CHECKED BY:	DATE:	PROJECT:
JPH	GBM	06-22-04	S03037

FILE: G:\S03037\CAD\STRUCT\3037B2.DGN 06/19/04 08:37:11 AM