

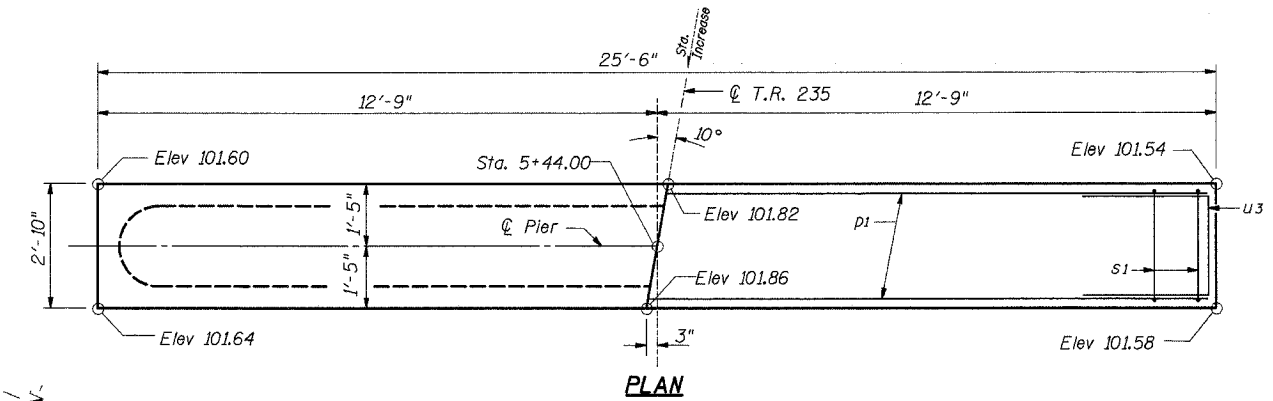
T.R.	SECTION	COUNTY	TOTAL SHEETS	SHEET NO.
235	93-02108-00-BR	CHRISTIAN	16	16
FED. ROAD DIST. NO.		ILLINOIS	FED. AID PROJECT	
SHEET 7 OF 7				

** 1" Joint shall be packed with a very dry mix of 2:1 sand and P.C. mortar. 1" Dimension may Vary plus or Minus to accommodate Tolerance in Beam Lengths.

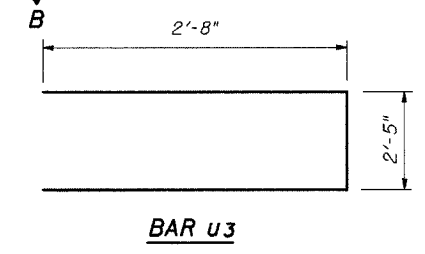
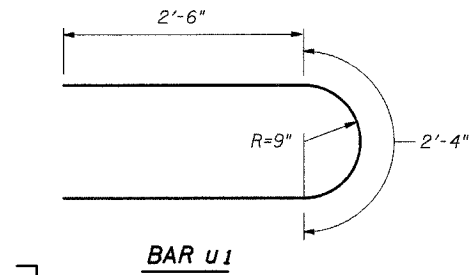
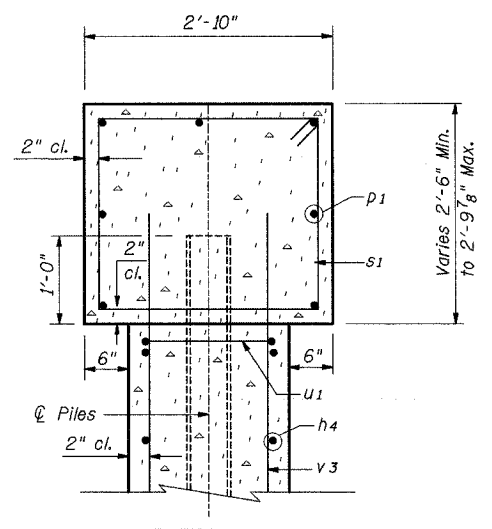
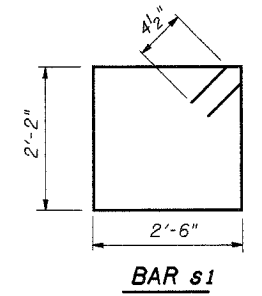
*** Dowel Rods to be grouted after beams are in place and allowed to cure (Min. 24 hours) prior to grouting Shear Keys.

*** 3/4" φ x 1'-6" Dowel Rods in 1/4" φ holes drilled in Cap (2 Each Beam) Cost Incidental to Concrete Structures.

1 - 9" x 1/2" x 2'-1" (Interior Fabric Brg. Pad) or 1 - 9" x 1/2" x 1'-0 1/2" (Exterior Fabric Brg. Pad)



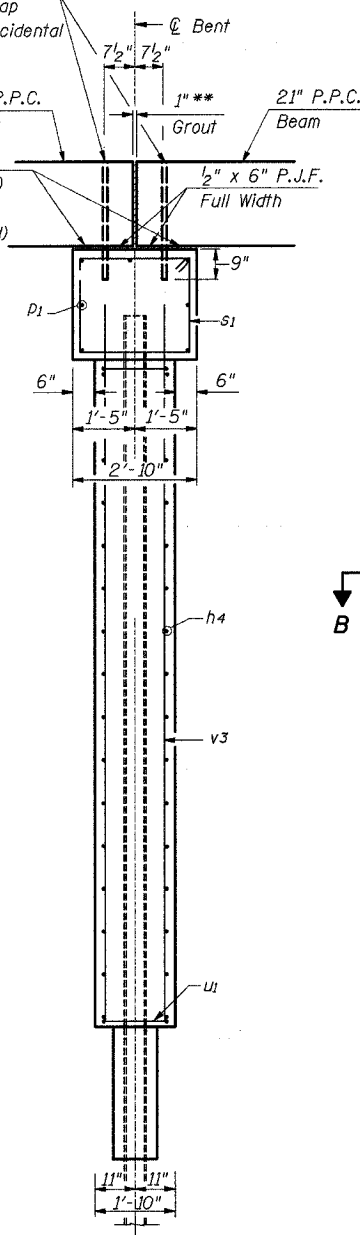
NOTE:
All Edges shall have Standard 3/4" Chamfer except as Noted.



BILL OF MATERIAL

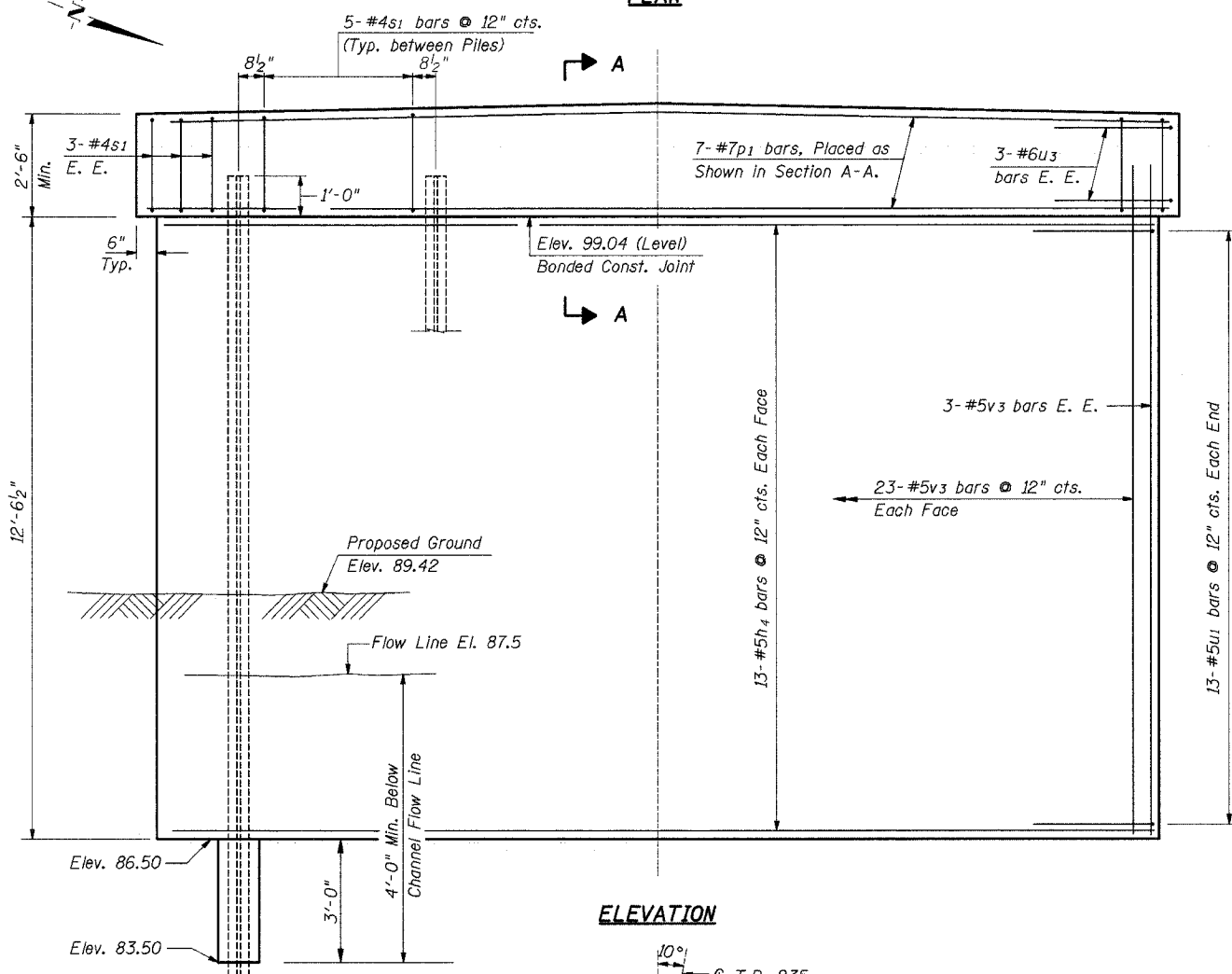
Bar	No.	Size	Length	Shape
h4	26	#5	22'-6"	—
p1	7	#7	25'-2"	—
s1	26	#4	10'-1"	□
u1	26	#5	7'-4"	U
u3	6	#6	7'-9"	U
v3	52	#5	13'-6"	—

ITEM	UNIT	QUANTITY
Reinforcement Bars	Pound	2,150
Concrete Structures	Cu. Yd.	27.6
Furnishing Steel Piles, HP 10 x 42	Foot	116
Driving Steel Piles	Foot	116
Test Piles	Each	1
Structure Excavation	Cu. Yd.	19
Concr. Encasement	Cu. Yd.	1.4
Underwater Structure Excavation Protection (Loc. 1)	Each	1

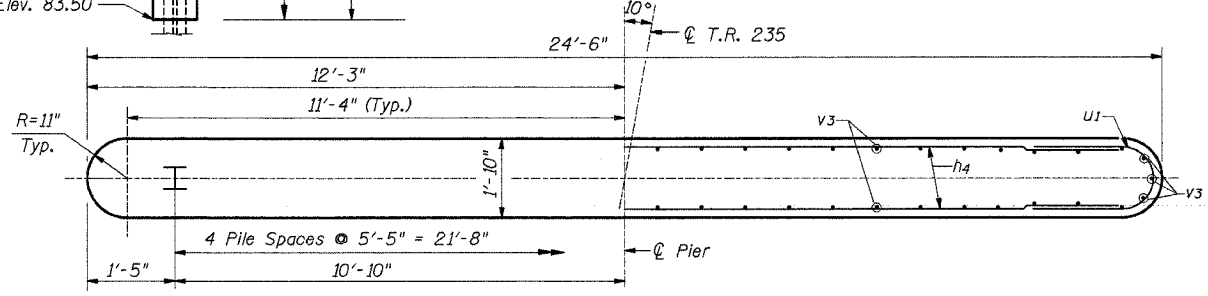


PILE DATA

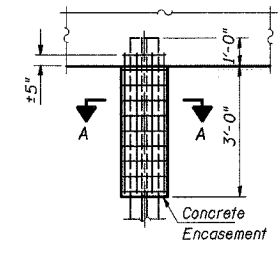
Type = HP 10 x 42
 Capacity = Drive to Refusal
 Estimated Length = 29'
 Number Req'd. = 5 (Including 1 Test Pile)



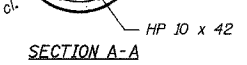
ELEVATION



SECTION B-B



Welded wire fabric 6 x 6-W4.0 x W4.0 weighing 58#/100 Sq Ft. The Cost of Excavation & Reinf. is Incidental to Furnishing Steel Piles. Forms for Encasement may be omitted when soil conditions permit.



PILE ENCASEMENT DETAIL

PIER DETAILS
T.R. 235 OVER PRAIRIE FORK CREEK
SECTION 93-02108-00-BR
CHRISTIAN COUNTY
STR. NO. 011-3399
STA. 5+47.00

ie INTERNATIONAL ENGINEERING CONSULTANTS, INC.
 6420 SOUTH SIXTH STREET
 SPRINGFIELD, ILLINOIS 62707
 TEL. (217) 529-8027
 FAX (217) 529-4543
 IESPRINGFIELD@IE-CONSULTANTS.COM
 WWW.IE-CONSULTANTS.COM

DRAWN BY: JPH	CHECKED BY: GBM	DATE: 06-22-04	PROJECT: S03037
------------------	--------------------	-------------------	--------------------

FILE: G:\S03037\CADD\STRUCT\3037PR01.Dgn 06/19/04 09:50:51 AM