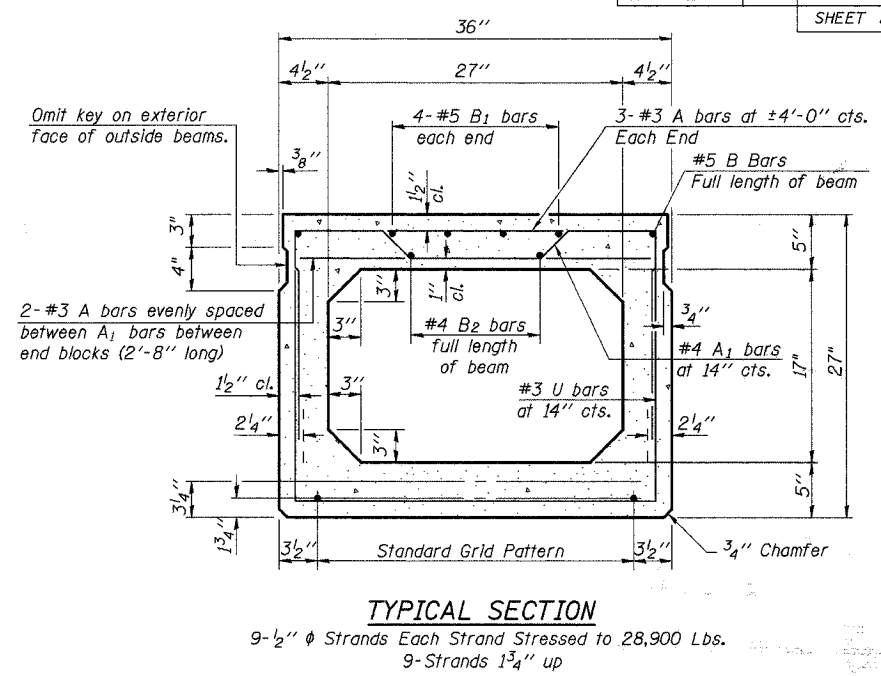
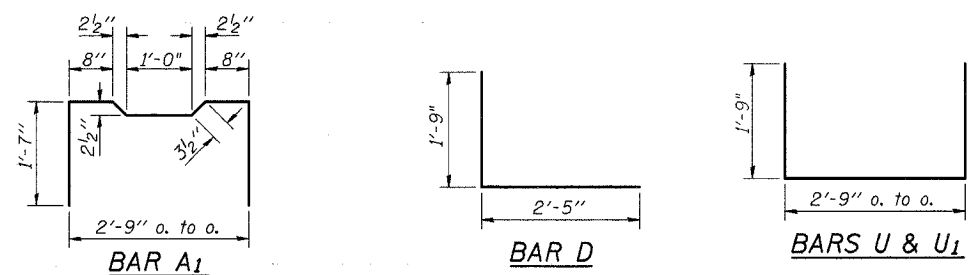
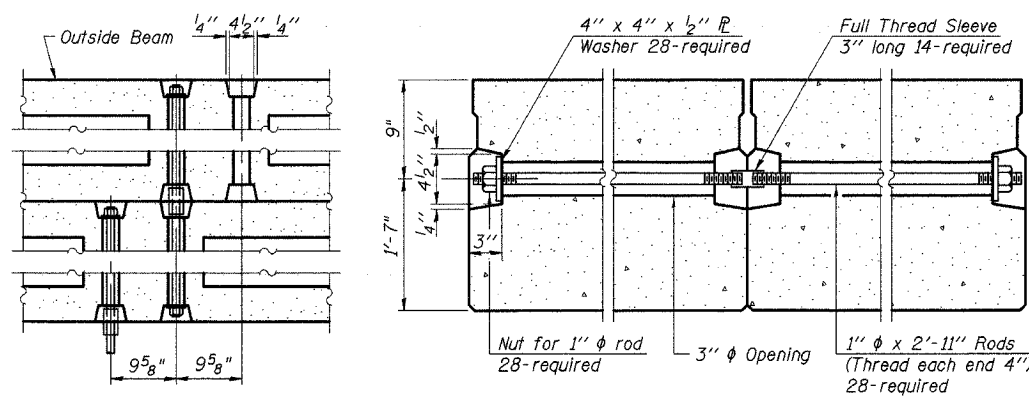
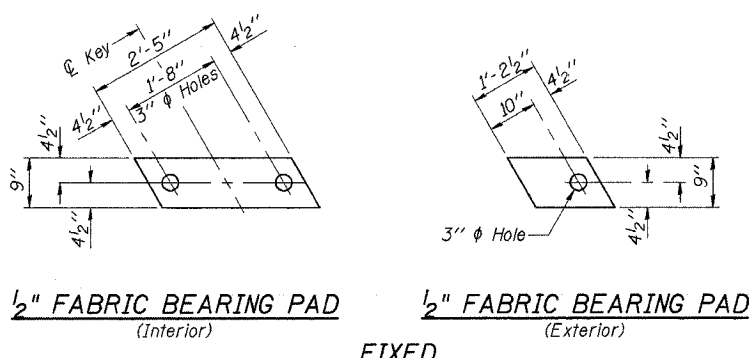
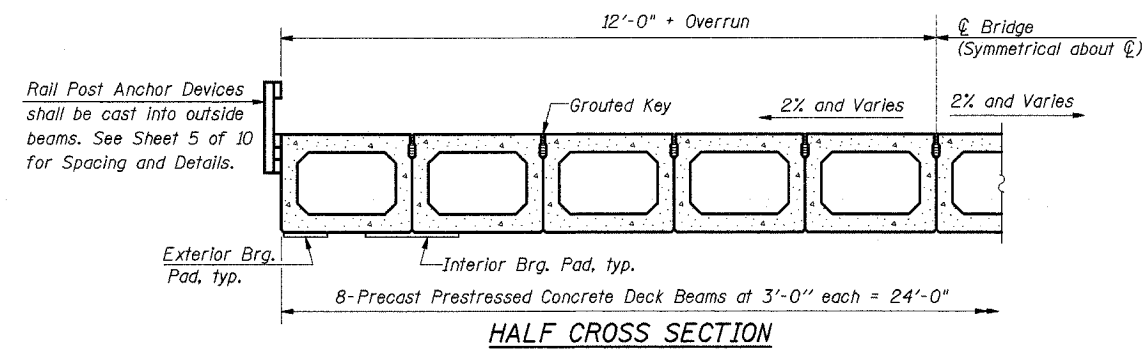
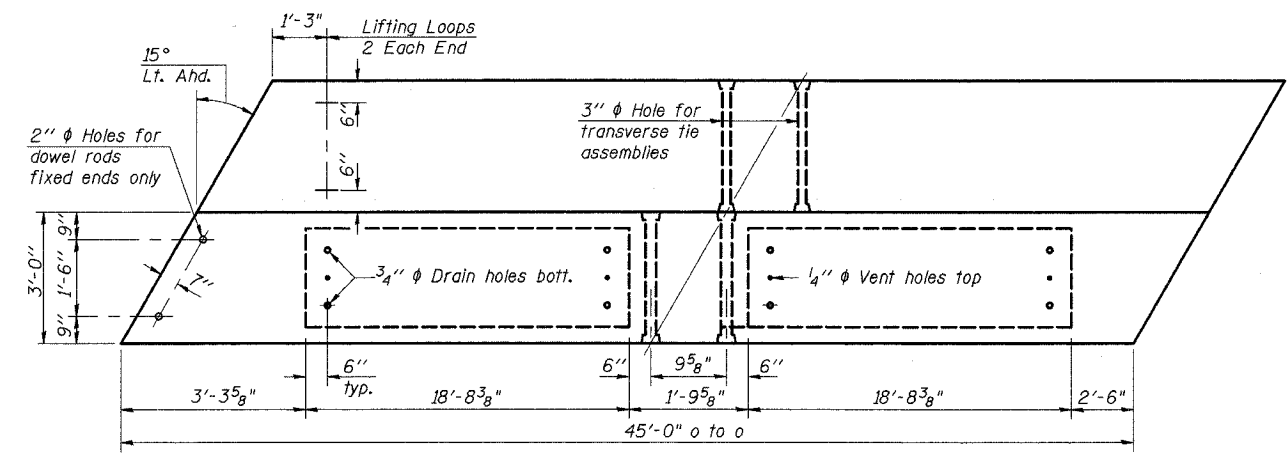


T.R.	SECTION	COUNTY	TOTAL SHEETS	SHEET NO.
235	93-02109-00-BR	CHRISTIAN	18	10
FED. ROAD DIST. NO. 7 ILLINOIS FED. AID PROJECT-				
SHEET 2 OF 10				

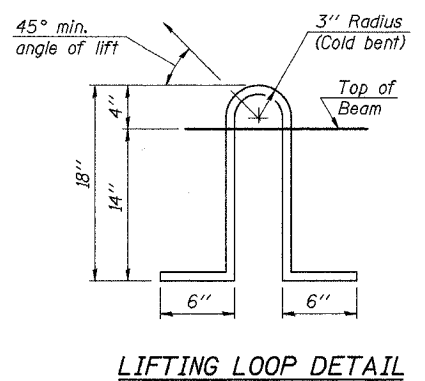
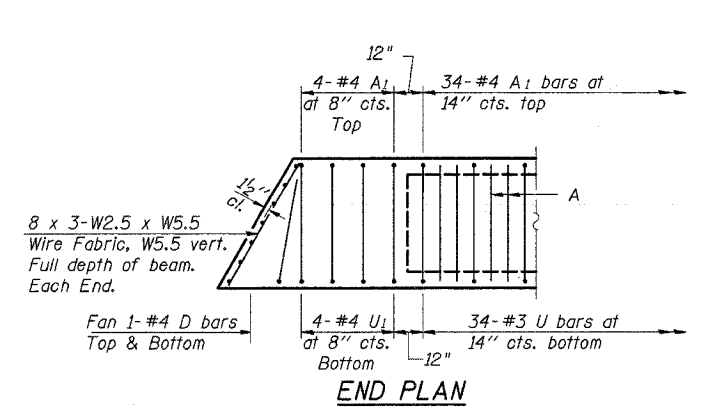


Note:  
Place strands symmetrically about  $\phi$  of beam.



**BILL OF MATERIAL**  
(For One Beam)

Bar	No.	Size	Length	Shape
A	72	#3	2'-8"	—
A <sub>1</sub>	42	#4	7'-1"	┌┐
B	6	#5	44'-7"	—
B <sub>1</sub>	8	#5	9'-0"	—
B <sub>2</sub>	6	#4	44'-7"	—
D	4	#4	4'-2"	└┘
U	34	#3	6'-9"	┌┐
U <sub>1</sub>	8	#4	6'-9"	┌┐
Precast Prestressed Conc. Deck Bms. (27")				Sq. Ft. 2160



**NOTES**

Prestressing steel shall be uncoated high strength, low relaxation 7-wire strand, Grade 270. The nominal diameter shall be 1/2" and the nominal cross-sectional area shall be 0.153 sq. in. Lifting loops shall be 2 - 1/2"  $\phi$  270 ksi strands, as shown.  
 The 1"  $\phi$  rods in the transverse tie assembly shall be tightened to a snug fit and the threads set. Pockets that receive transverse tie bar on outside shall be filled with grout after transverse tie assembly is in place.  
 Non prestressing steel shall conform to AASHTO M-31, M-42 or M-53 Grade 60.  
 The bearing seat surfaces shall be adjusted by shimming to assure firm and even bearing. Two 1/8" fabric adjusting shims of the dimensions of the Exterior Bearing Pad shall be provided for each bearing.  
 Keyway surfaces shall be cleaned to remove form oil or other bond breaking material prior to shipment of the beams. Cleaning shall be done by sandblasting the keyway areas between top of the beam and the bottom edge of the key.  
 Corrosion Inhibitor, as covered in the Special Provisions, shall be used in the concrete for precast prestressed concrete deck beams.  
 Required Release Strength, f'ci, shall be 4000 p.s.i.

**SPAN 1 & SPAN 2 BEAM DETAILS**  
**T.R. 235 OVER BEAR CREEK**  
**SEC. 93-02109-00-BR**  
**CHRISTIAN COUNTY**  
**STR. NO. 075-3400**  
**STA. 6+24.42**

**ie** INTERNATIONAL ENGINEERING CONSULTANTS, INC.  
 6420 SOUTH SIXTH STREET  
 SPRINGFIELD, ILLINOIS 62707  
 TEL. (217) 529-8027  
 FAX (217) 529-4543  
 IESPRINGFIELD@IE-CONSULTANTS.COM  
 WWW.IE-CONSULTANTS.COM

DESIGNED BY: G.B.M.	CHECKED BY: D.R.B.	DRAWN BY: THW	DATE: 5-03-04
------------------------	-----------------------	------------------	------------------