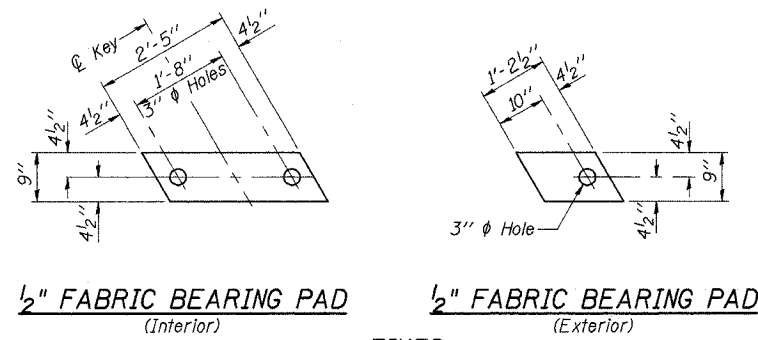


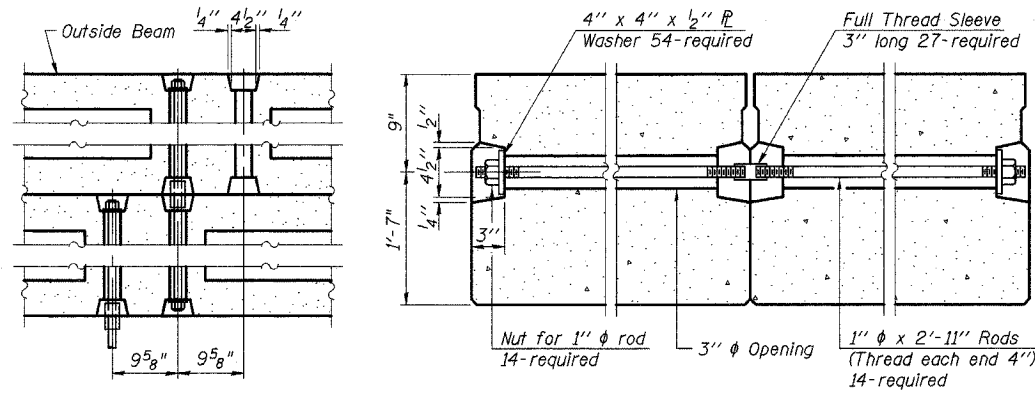
T.R.	SECTION	COUNTY	TOTAL SHEETS	SHEET
235	93-02109-00-BR	CHRISTIAN	18	11
FED. ROAD DIST. NO. 7 ILLINOIS FED. AID PROJECT-				
SHEET 3 OF 10				



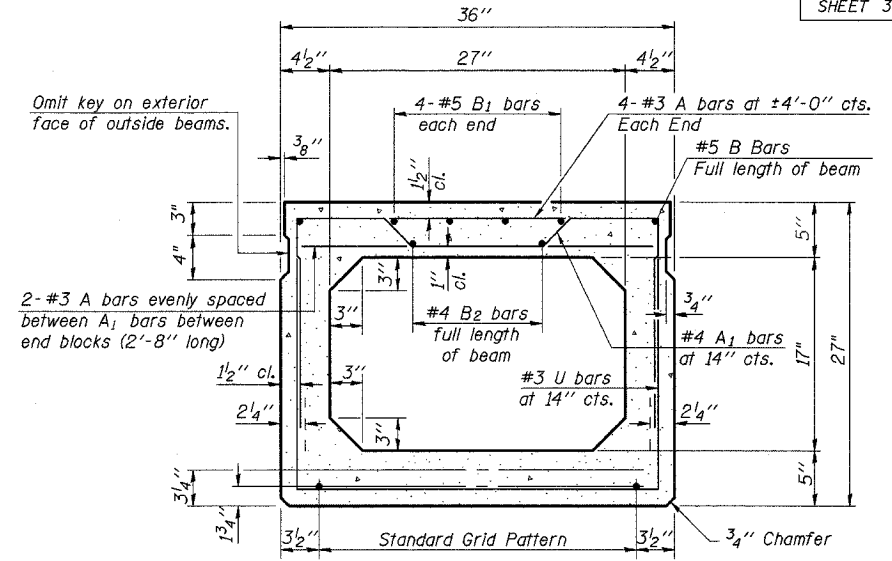
1/2" FABRIC BEARING PAD (Interior)

1/2" FABRIC BEARING PAD (Exterior)

FIXED



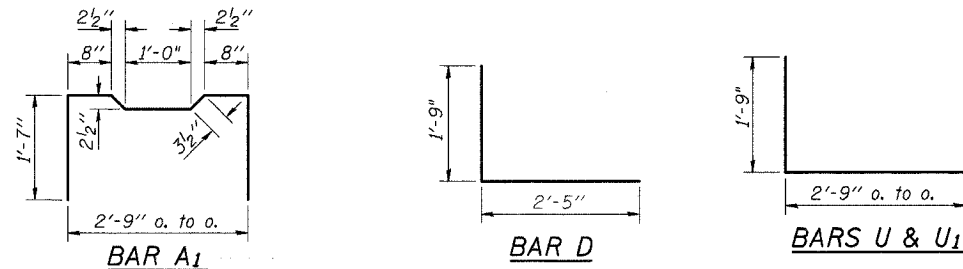
TYPICAL TRANSVERSE TIE ASSEMBLY



TYPICAL SECTION

17A-1/2" Strands Each Strand Stressed to 28,900 Lbs.
 8-Strands 1 3/4" up, 5-Strands 3/4" up,
 2-Strands 4 1/2" up, 2-Strands 7/2" up

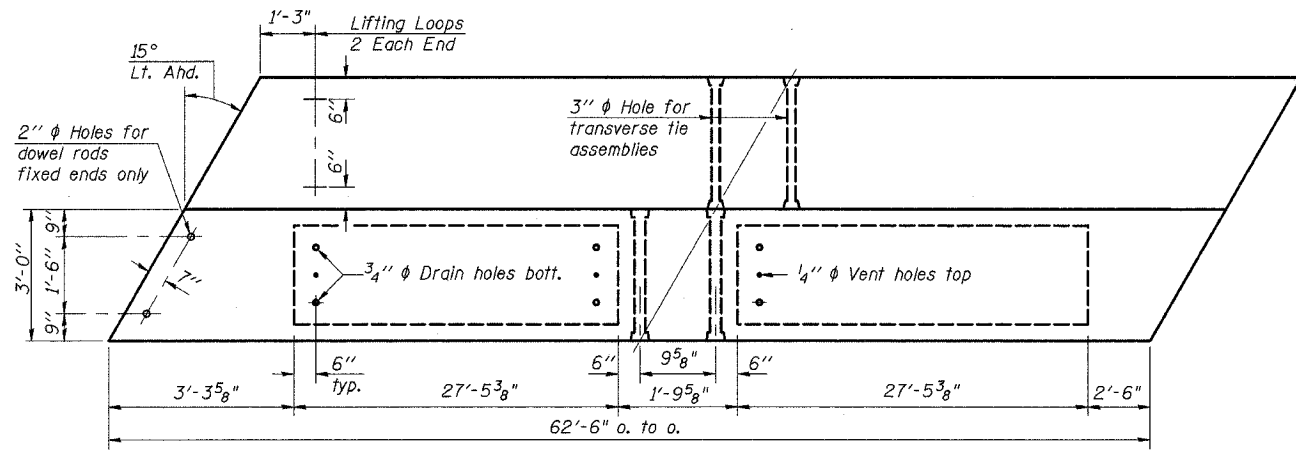
Note: Place strands symmetrically about center of beam.



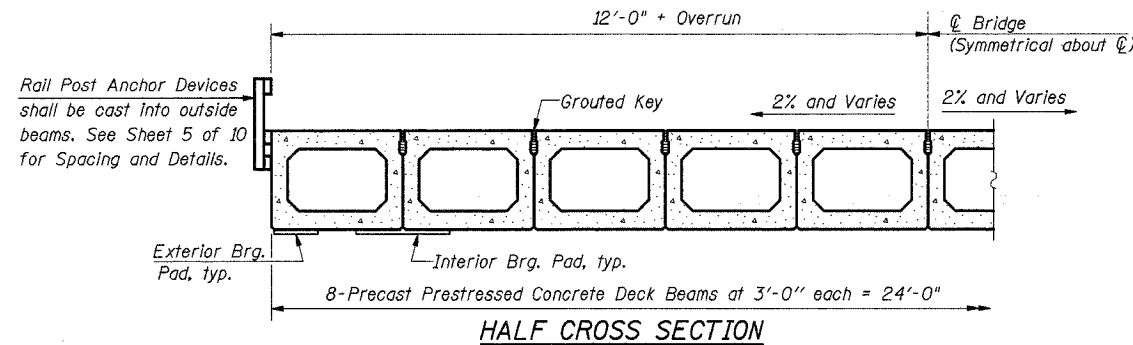
BAR A1

BAR D

BARS U & U1



PLAN



HALF CROSS SECTION

BILL OF MATERIAL

(For 1 Beam)

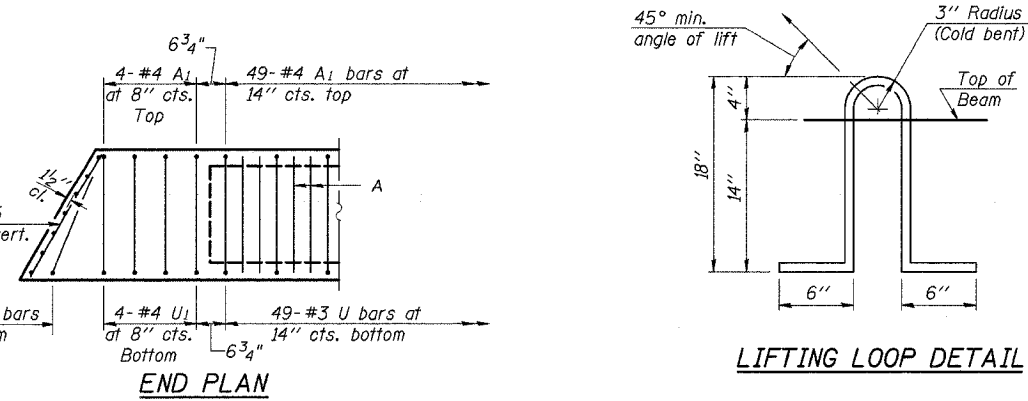
Bar	No.	Size	Length	Shape	
A	104	#3	2'-8"	—	
A1	57	#4	7'-1"	U	
B	12	#5	32'-3"	—	
B1	8	#5	12'-6"	—	
B2	12	#4	32'-0"	—	
D	4	#4	4'-2"	L	
U	49	#3	6'-9"	U	
U1	8	#4	6'-9"	U	
Precast Prestressed Conc. Deck Bms. (27')				Sq. Ft.	1500

NOTES

Prestressing steel shall be uncoated high strength, low relaxation 7-wire strand, Grade 270. The nominal diameter shall be 1/2" and the nominal cross-sectional area shall be 0.153 sq. in. Lifting loops shall be 2 - 1/2" diameter 270 ksi strands, as shown. The 1" rods in the transverse tie assembly shall be tightened to a snug fit and the threads set. Pockets that receive transverse tie bar on outside shall be filled with grout after transverse tie assembly is in place. Non prestressing steel shall conform to AASHTO M-31, M-42 or M-53 Grade 60. The bearing seat surfaces shall be adjusted by shimming to assure firm and even bearing. Two 1/8" fabric adjusting shims of the dimensions of the Exterior Bearing Pad shall be provided for each bearing. Keyway surfaces shall be cleaned to remove form oil or other bond breaking material prior to shipment of the beams. Cleaning shall be done by sandblasting the keyway areas between top of the beam and the bottom edge of the key. Corrosion Inhibitor, as covered in the Special Provisions, shall be used in the concrete for precast prestressed concrete deck beams. Required Release Strength, f'ci, shall be 4000 p.s.i.

SPAN 3 BEAM DETAILS
 T.R. 235 OVER BEAR CREEK
 SEC. 93-02109-00-BR
 CHRISTIAN COUNTY
 STR. NO. 075-3400
 STA. 6+24.42

INTERNATIONAL ENGINEERING CONSULTANTS, INC.			
6420 SOUTH SIXTH STREET SPRINGFIELD, ILLINOIS 62707 TEL. (217) 629-8027 FAX (217) 629-4543 IESPRINGFIELD@IE-CONSULTANTS.COM WWW.IE-CONSULTANTS.COM			
DESIGNED BY: G.B.M.	CHECKED BY: D.R.B.	DRAWN BY: THW	DATE: 5-03-04



LIFTING LOOP DETAIL

END PLAN

06/12/04