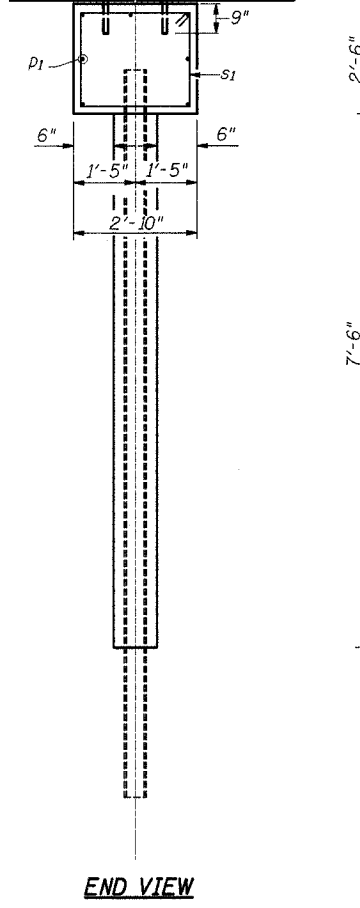
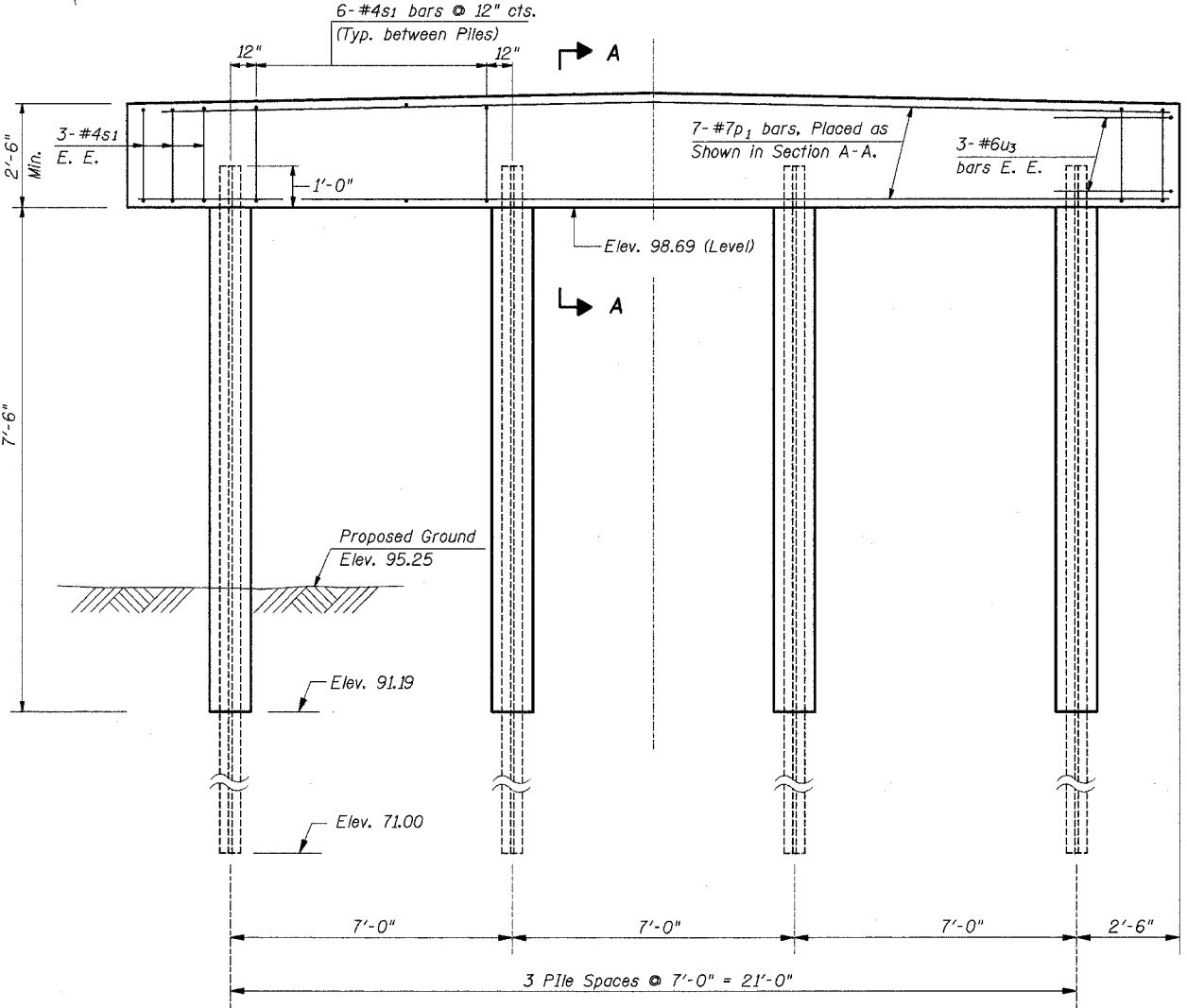
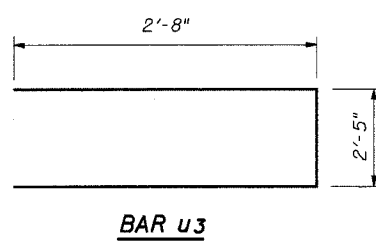
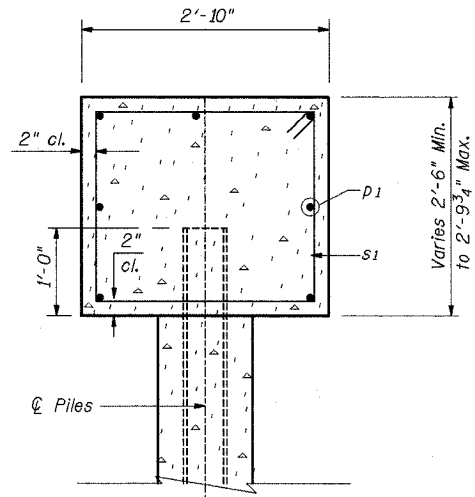
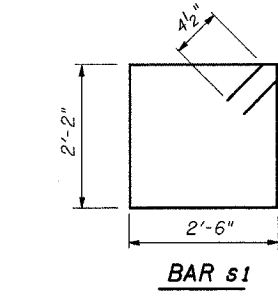
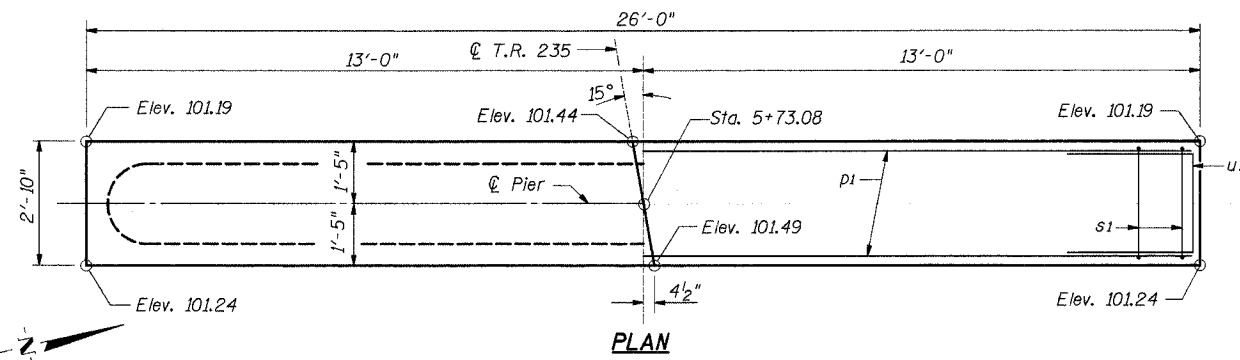


T.R.	SECTION	COUNTY	TOTAL SHEETS	SHEET NO.
235	93-02109-00-BR	CHRISTIAN	18	16
FED. ROAD DIST. NO. 7		ILLINOIS		FED. AID PROJECT-
SHEET 8 OF 10				

NOTE:
All Edges shall have Standard 3/4" Chamfer except as Noted.

** 1" Joint shall be packed with a very dry mix of 2:1 sand and P.C. mortar. 1" Dimension may Vary plus or Minus to accommodate Tolerance in Beam Lengths.
*** Dowel Rods to be grouted after beams are in place and allowed to cure (Min. 24 hours) prior to grouting Shear Keys.

*** 3/4" ϕ x 1'-6" Dowel Rods in 1/4" ϕ holes drilled in Cap (2 Each Beam) Cost Incidental to Concrete Structures.
27" P.P.C. Beam
7 1/2" Bent
1" Grout
27" P.P.C. Beam
1 - 9" x 1/2" x 2'-1" (Interior Fabric Brg. Pad) or 1 - 9" x 1/2" x 1'-0 1/2" (Exterior Fabric Brg. Pad)
1/2" x 6" P.J.F. Full Width



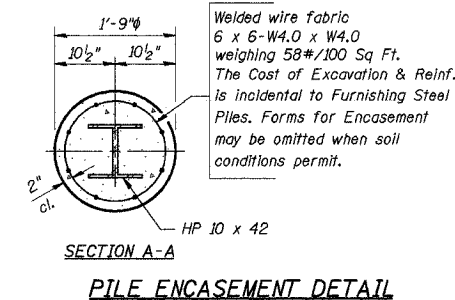
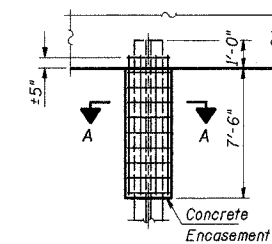
BILL OF MATERIAL

Bar	No.	Size	Length	Shape
p1	7	#7	25'-8"	
s1	24	#4	10'-1"	□
u3	6	#6	7'-9"	□
ITEM UNIT QUANTITY				
Reinforcement Bars		Pound		600
Concrete Structures		Cu. Yd.		7.3
Furnishing Steel Piles, HP 10 x 42		Foot		112
Driving Steel Piles		Foot		112
Concrete Encasement		Cu. Yd.		2.7

PILE DATA

Type = HP 10 x 42
Capacity = Drive To Refusal
Estimated Length = 28'
Number Req'd. = 4

ELEVATION
(Looking West)



PIER 1 DETAILS
T.R. 235 OVER BEAR CREEK
SECTION 93-02109-00-BR
CHRISTIAN COUNTY
STR. NO. 011-3400
STA. 6+24.42

ie INTERNATIONAL ENGINEERING CONSULTANTS, INC.
6420 SOUTH SIXTH STREET
SPRINGFIELD, ILLINOIS 62707
TEL. (217) 529-8027
FAX (217) 529-4543
IESPRINGFIELD@IE-CONSULTANTS.COM
WWW.IE-CONSULTANTS.COM

DESIGNED BY: G.B.M.	CHECKED BY: D.R.B.	DRAWN BY: THW	DATE: 5-03-04
------------------------	-----------------------	------------------	------------------