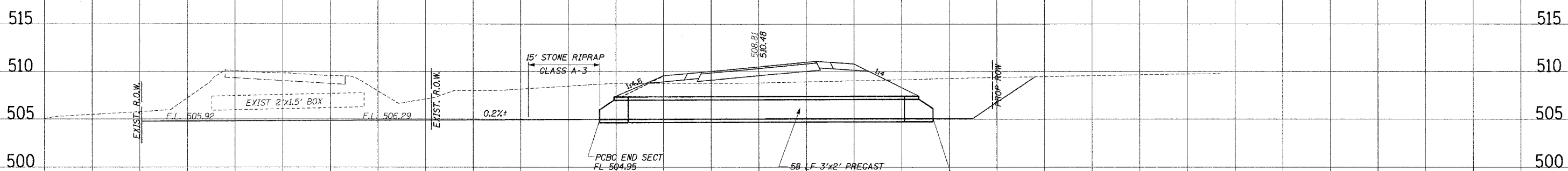
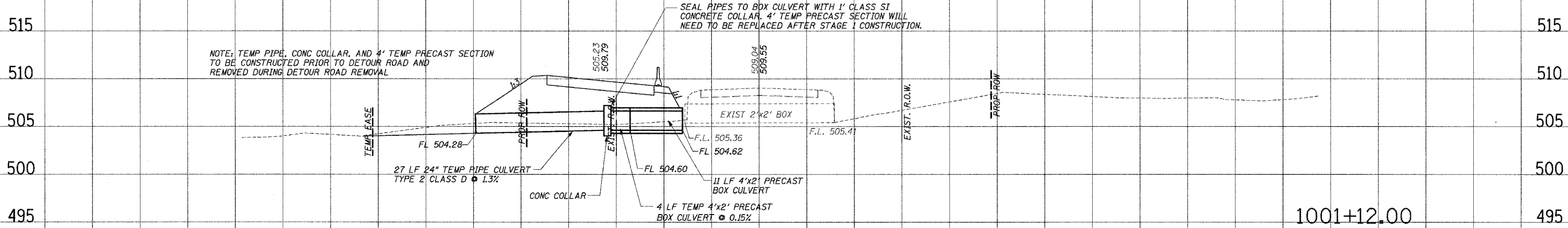


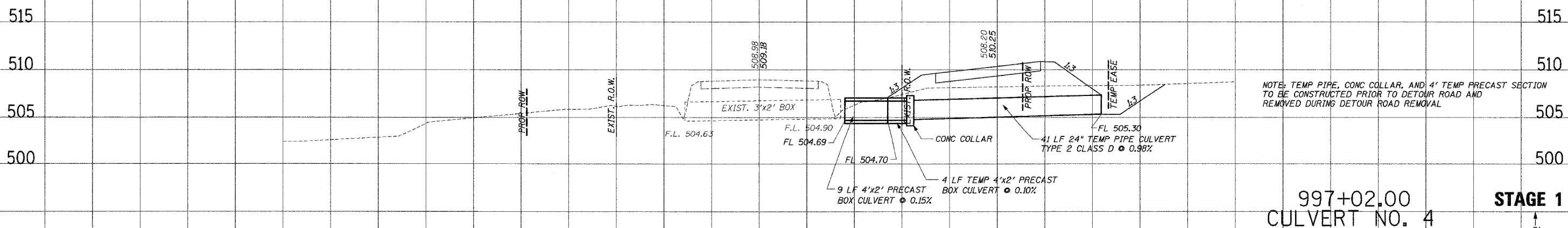
F.A. TITLE	SECTION	COUNTY	TOTAL SHEETS	SHEET NO.
328	5R, Y, RS-1	CLAY	376	65
STA.	TO STA.			
FED. ROAD DIST. NO.	ILLINOIS	FED. AID PROJECT		
CONTRACT No 94367				



1011+16.00
CULVERT NO. 6



1001+12.00
CULVERT NO. 5



997+02.00
CULVERT NO. 4

STAGE 1

100 50 0 50 100 150
FAP 328 (U.S.45) PIPE SECTIONS

PLOTTED
NOTE BOOK
TEMPERATURE
AREAS CHECKED

PLOTTED
NOTE BOOK
TEMPERATURE
AREAS CHECKED

.../.../... 11:30 AM