

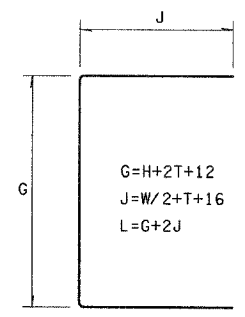
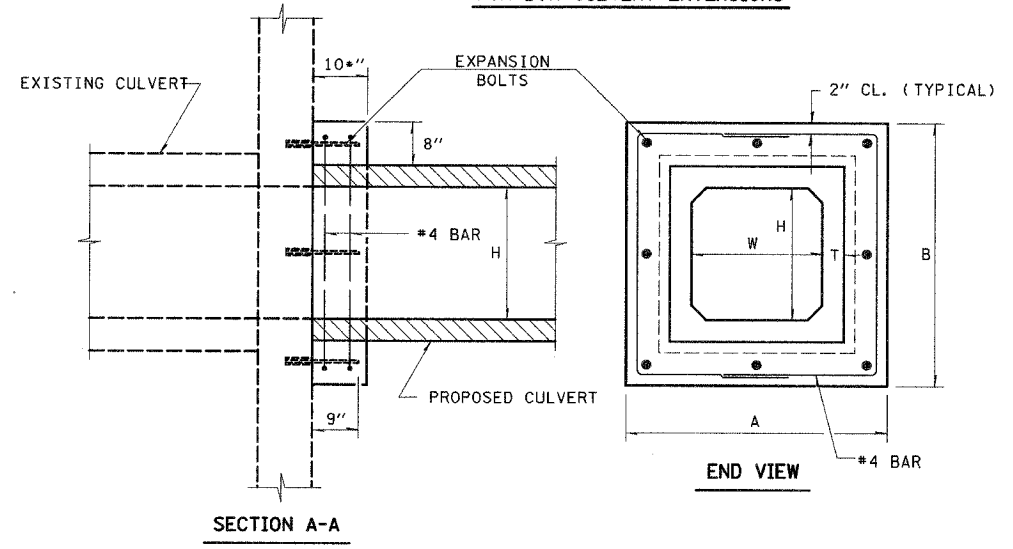
FAP RFL	SECTION	COUNTY	TOTAL SHEETS	SHEET NO.
328	5R, Y, RS-1	CLAY	376	84
FED. ROAD DIST. NO. 7		ILLINOIS	FED. AID PROJECT NO.	

CONTRACT No 94367

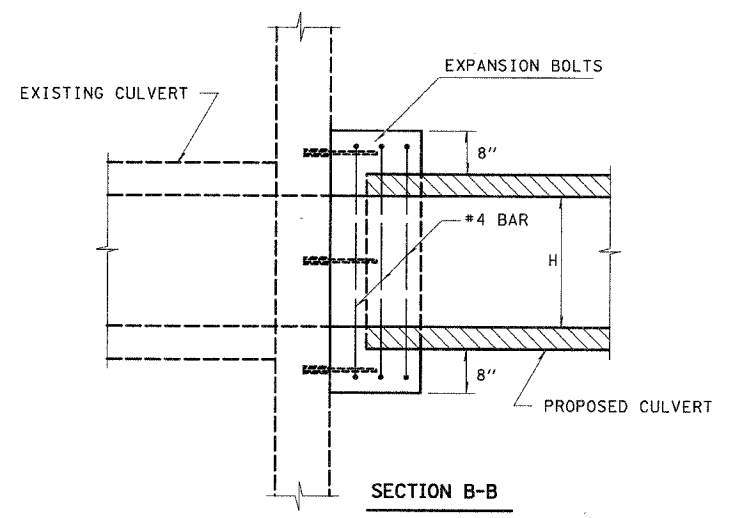
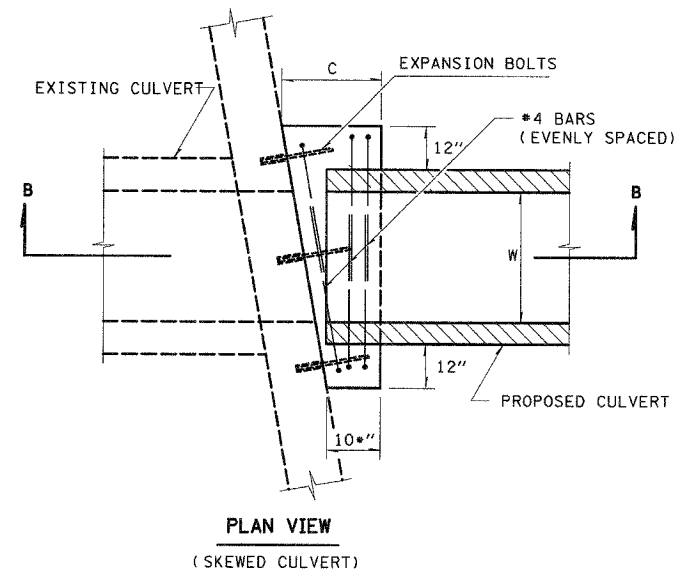
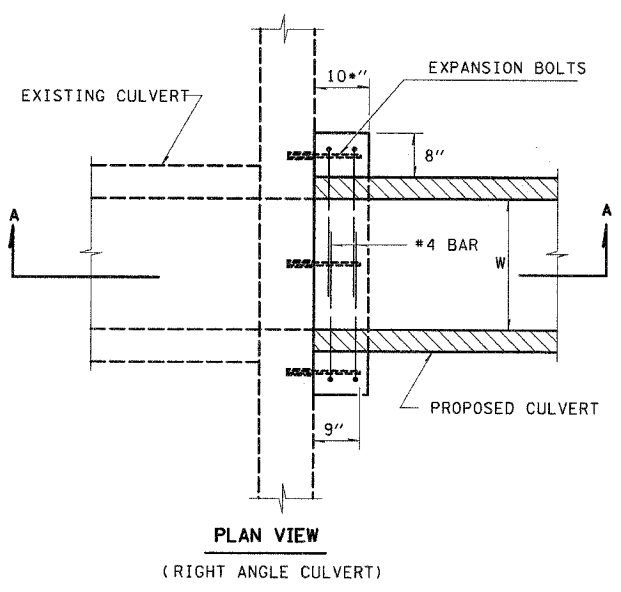
SIDE	STATION	DIMENSIONS						REINFORCEMENT BARS					EXPANSION BOLTS EA	VOLUME OF CONCRETE CU YDS
		A	B	C	W	H	T	G	J	L	NUMBER BARS EA	POUND		
• LT	1142+45.00	74	50	10	48	24	5	46	45	136	4	30	8	0.4

• USED FOR STAGE CONSTRUCTION ONLY

**DETAIL OF CONCRETE COLLAR FOR BOX CULVERT EXTENSIONS**



NOTE: EXPANSION BOLTS SHALL CONSIST OF SELF-DRILLING EXPANSION SHIELDS AND HOOKED BOLTS. HOOKED BOLTS SHALL EXTEND A MINIMUM OF 9" INTO THE NEW CONCRETE.



\*DGN-SPEC\*  
\*DATE\*

REVISIONS	
NAME	DATE

ILLINOIS DEPARTMENT OF TRANSPORTATION  
**CONCRETE COLLAR DETAIL FOR BOX CULVERT EXTENSIONS**  
SCALE: VERT. HORIZ.  
DATE ISSUED: 05-03-96 DRAWN BY CHECKED BY

C:\Users\jcollar\Desktop\127152004 12.24.04 PM