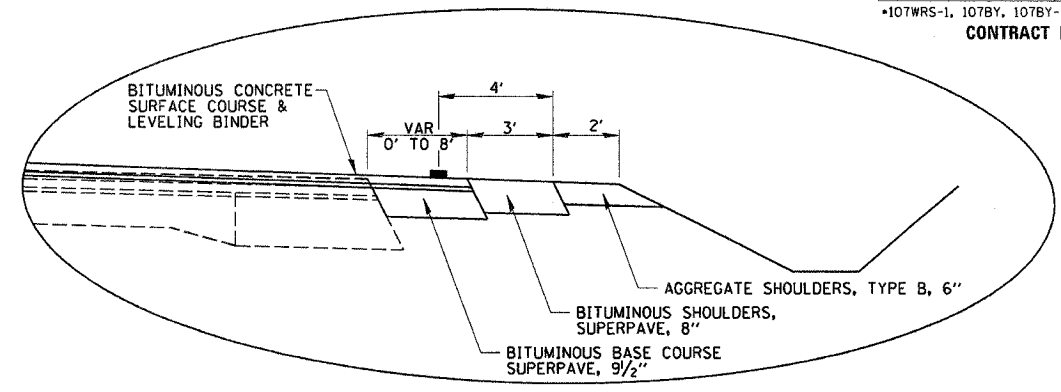
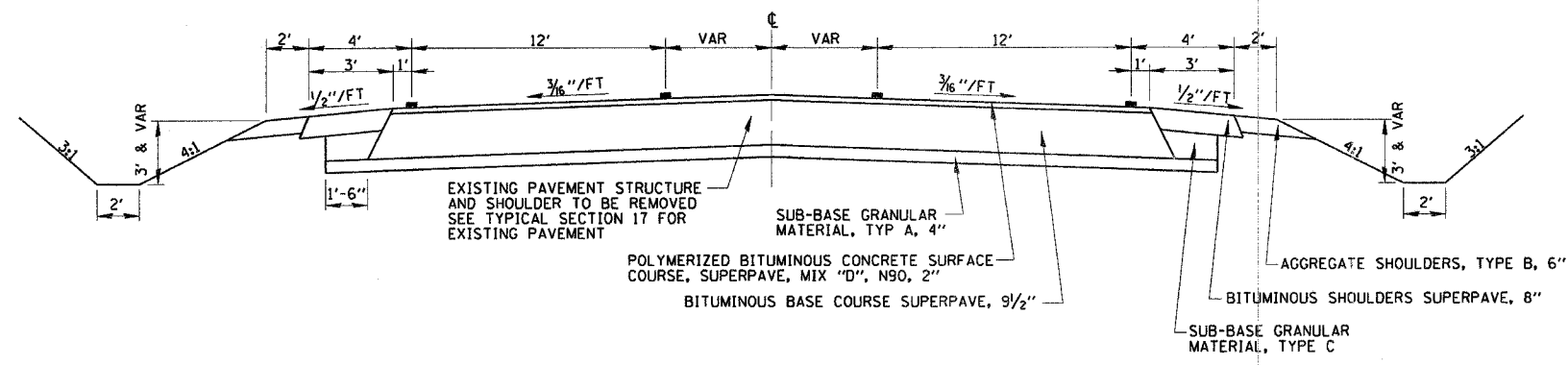


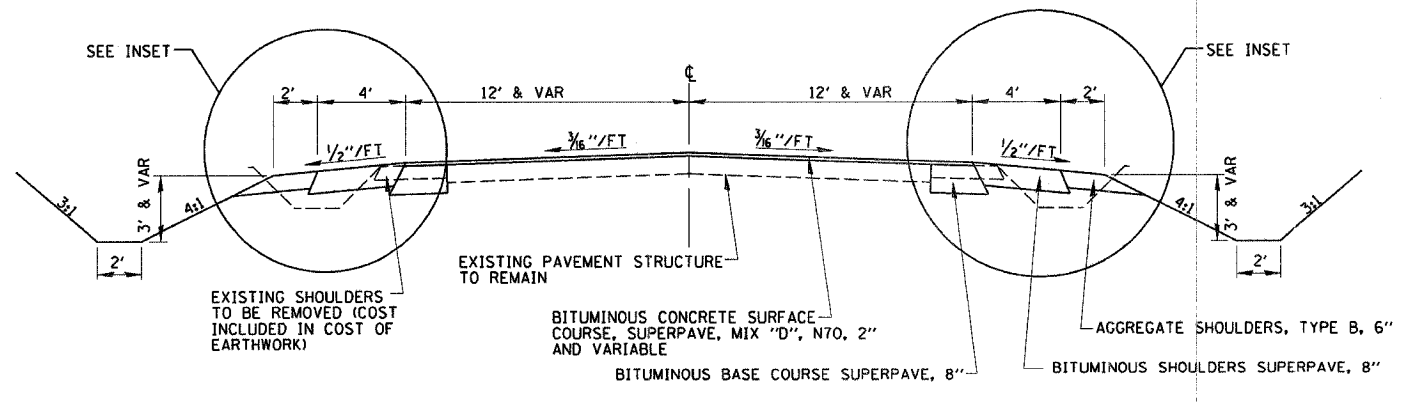
PROPOSED TYPICAL SECTION 17
STA. 49+90.00 TO STA. 53+01.78 (IL RTE 32)



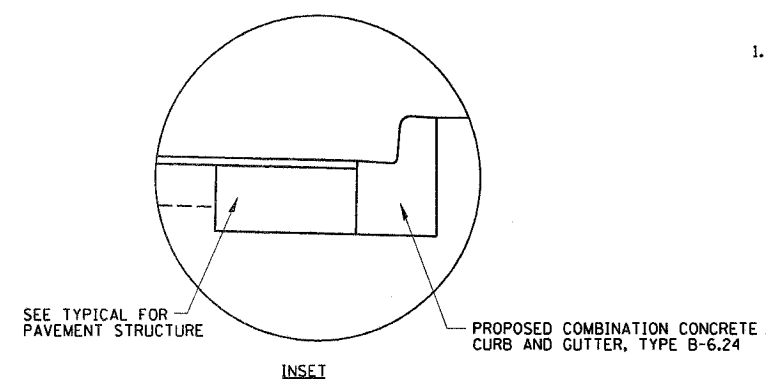
INSET
RT STA. 51+67.70 TO STA. 53+01.78



PROPOSED TYPICAL SECTION 18
STA. 53+01.78 TO STA. 55+83.37 (IL RTE 32)



PROPOSED TYPICAL SECTION 19
STA. 60+00.00 TO STA. 63+80.70 (LAKE SARA RD)
STA. 82+36.29 TO STA. 84+56.47 (RELOCATED NAZARENE RD)



PROPOSED COMBINATION CONCRETE CURB AND GUTTER, TYPE B-6.24 IN LIEU OF SHOULDERS
RT STA. 61+87.00 TO STA. 63+35.00 (LAKE SARA RD)
LT STA. 83+72.00 TO STA. 84+48.00 (RELOC NAZARENE RD)
RT STA. 83+61.00 TO STA. 84+46.00 (RELOC NAZARENE RD)

SHEET NOTE:
1. BASE COURSE WIDENING 6' OR LESS IS INCLUDED IN THE CONTRACT QUANTITIES FOR "BITUMINOUS BASE COURSE SUPERPAVE 8".

REVISIONS	
NAME	DATE

ILLINOIS DEPARTMENT OF TRANSPORTATION

TYPICAL SECTIONS
SHEET 9 OF 10

DATE 8/02

DRAWN BY MLO
CHECKED BY SJK