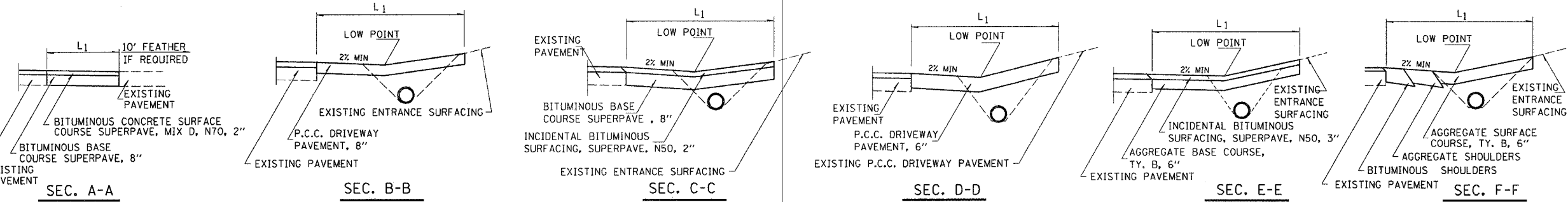
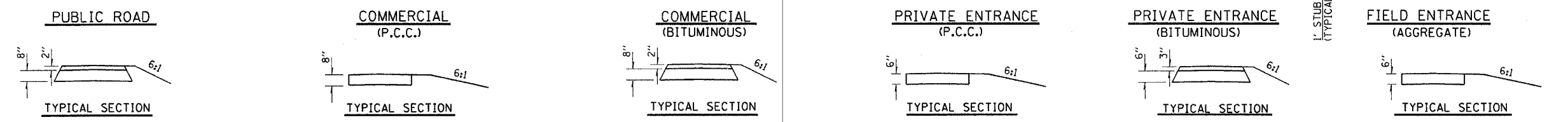
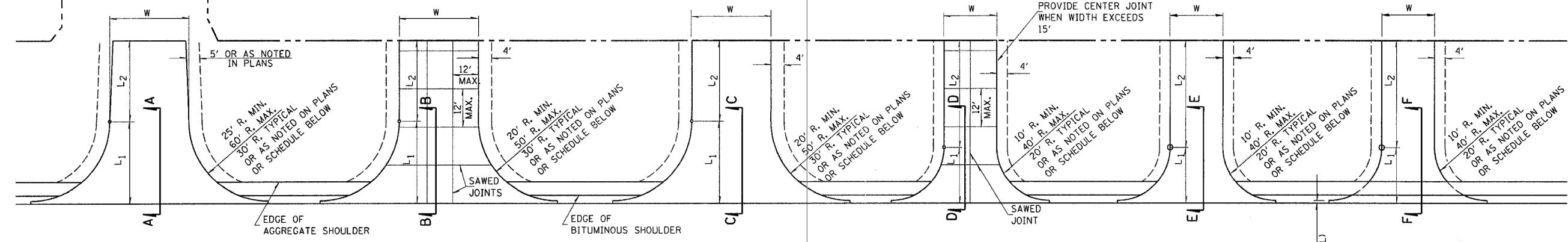


L<sub>1</sub> = DISTANCE FROM EDGE OF PAVEMENT TO RADIUS POINT OR MAX. DISTANCE 30'  
L<sub>2</sub> = DISTANCE FROM RADIUS POINT OR MAX DISTANCE 30' OFF EDGE OF PAVEMENT TO R.O.W. LINE.  
NOTE: MATERIAL USED TO CONSTRUCT L<sub>2</sub> LENGTH SHALL BE OF THE SAME TYPE OF MATERIAL AS EXISTING ENTRANCE.



PUBLIC ROAD SCHEDULE

EXIST SURFACE	SIDE/STATION	WIDTH	LENGTH		RADI	AGGREGATE BASE COURSE TYPE B		INCID. BIT. SURFACING, SUPERPAVE	P.C.C. DRIVEWAY PAV'T		BIT. CONCRETE SURFACE COURSE SUPERPAVE, MIX D, N70	TEMPORARY ACCESS (ROAD)
			L <sub>1</sub>	L <sub>2</sub>		TON	SO. YD.		6"	8"		
O&C	1700TH AVE RT/544+65.39	-	-	-	-	-	-	-	-	-	17	1
O&C	1700TH AVE LT/544+65.39	-	-	-	-	-	-	-	-	-	48	1
BIT	IL RTE 32 LT/551+74.79	②	-	-	-	-	-	-	-	-	-	1
O&C	1000TH ST LT/896+43.01	-	-	-	-	-	-	-	-	-	59	1
BIT	LAKE SARA RD RT/896+48.57	①	-	-	-	-	-	-	-	-	-	1
O&C	STONERIDGE DR LT/913+90.65	-	-	-	-	-	-	-	-	-	31	1
O&C	1075TH ST LT/940+77.10	-	-	-	-	-	-	-	-	-	44	1
O&C	NAZARENE RD RT/955+28.27	①	-	-	-	-	-	-	-	-	-	1
O&C	WEBB ST LT/958+10.00	-	-	-	-	-	-	-	-	-	48	1
O&C	BRIARWOOD DR LT/969+63.16	-	-	-	-	-	-	-	-	-	33	1
O&C	LYNN ACRES DR RT/974+61.71	-	-	-	-	-	-	-	-	-	35	1
O&C	CTRY ESTS RD LT/977+46.69	-	-	-	-	-	-	-	-	-	24	1
BIT	LEPRECHAUN LN LT/982+15.24	-	-	-	-	-	-	-	-	-	14	1

PUBLIC ROAD SCHEDULE

EXIST SURFACE	SIDE/STATION	WIDTH	LENGTH		RADI	AGGREGATE BASE COURSE TYPE B		INCID. BIT. SURFACING, SUPERPAVE	P.C.C. DRIVEWAY PAV'T		BIT. CONCRETE SURFACE COURSE SUPERPAVE, MIX D, N70	TEMPORARY ACCESS (ROAD)
			L <sub>1</sub>	L <sub>2</sub>		TON	SO. YD.		6"	8"		
BIT	IRISH HILL LT/991+30.47	-	-	-	-	-	-	-	-	-	238	1
O&C	WBSH RIVER HILL RT/991+35.27	-	-	-	-	-	-	-	-	-	463	1
BIT	1200TH ST LT/1015+03.93	-	-	-	-	-	-	-	-	-	152	1
O&C	LAKE RD LT/1023+77.06	-	-	-	-	-	-	-	-	-	226	1
O&C	WOOD BIRD DR RT/1037+50.00	-	-	-	-	-	-	-	-	-	123	1
CONC	FORD AVE RT/42+30.86	-	-	-	-	-	-	-	-	-	503	1
AGG	UNNAMED RD LT/216+22.91	-	-	-	-	-	-	-	-	-	90	1
O&C	1700TH AVE LT/52+00.09	-	-	-	-	-	-	-	-	-	249	1
O&C	1700TH AVE RT/52+00.09	-	-	-	-	-	-	-	-	-	253	1

NOTE:  
FOR GEOMETRY OF PUBLIC ROAD RETURNS, SEE INTERSECTION GEOMETRIC DETAILS.

- ① AT LAKE SARA RD AND NAZARENE RD: RETURN NOT REBUILT. EXISTING ROAD WIDENED. SEE "SCHEDULE OF QUANTITIES"
- ② AT IL RTE 32: SEE "SCHEDULE OF QUANTITIES" FOR RADIUS RETURN QUANTITY.

REVISIONS		ILLINOIS DEPARTMENT OF TRANSPORTATION
NAME	DATE	
		RURAL ENTRANCE DETAILS & SCHEDULES SHEET 2 OF 2

DATE 8/02  
DRAWN BY DIST 7  
CHECKED BY BWC

\*DON-SPEC\*  
\*DATE\*