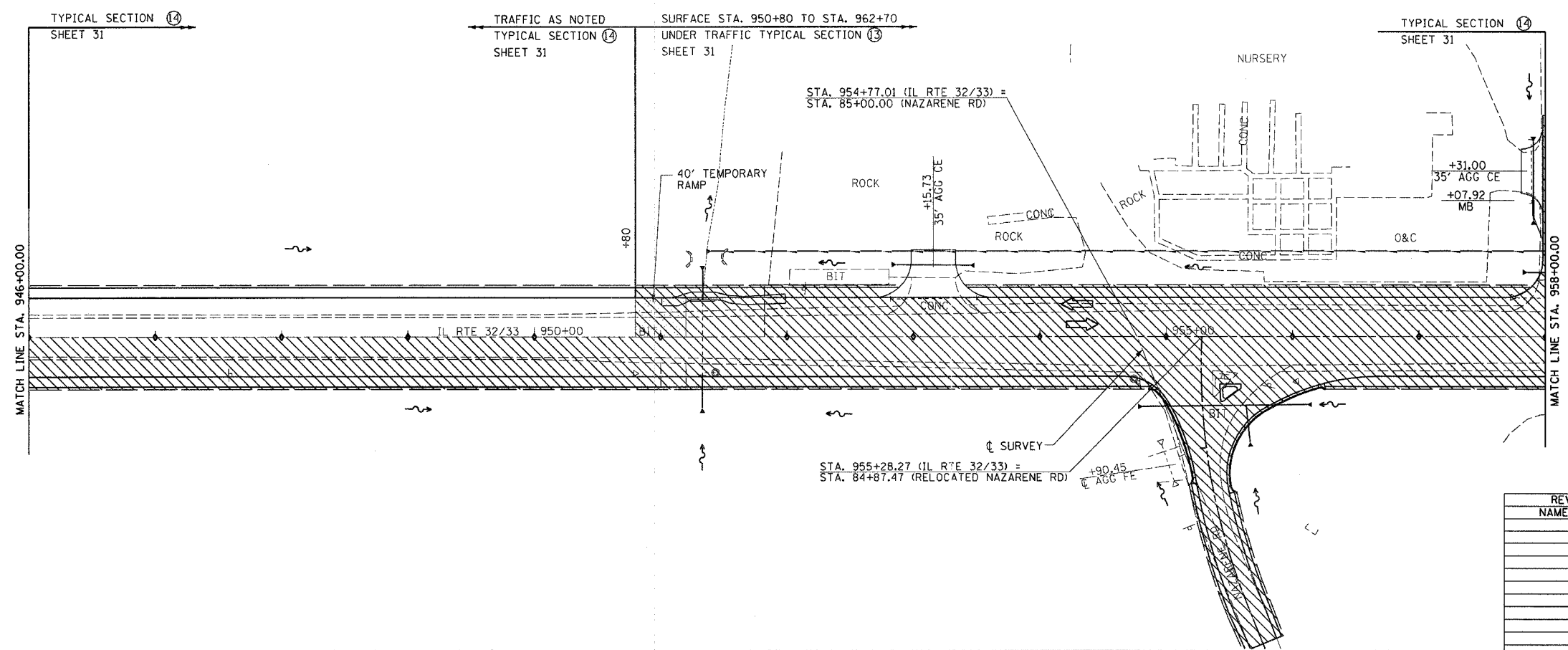
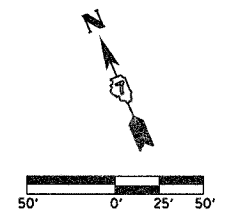
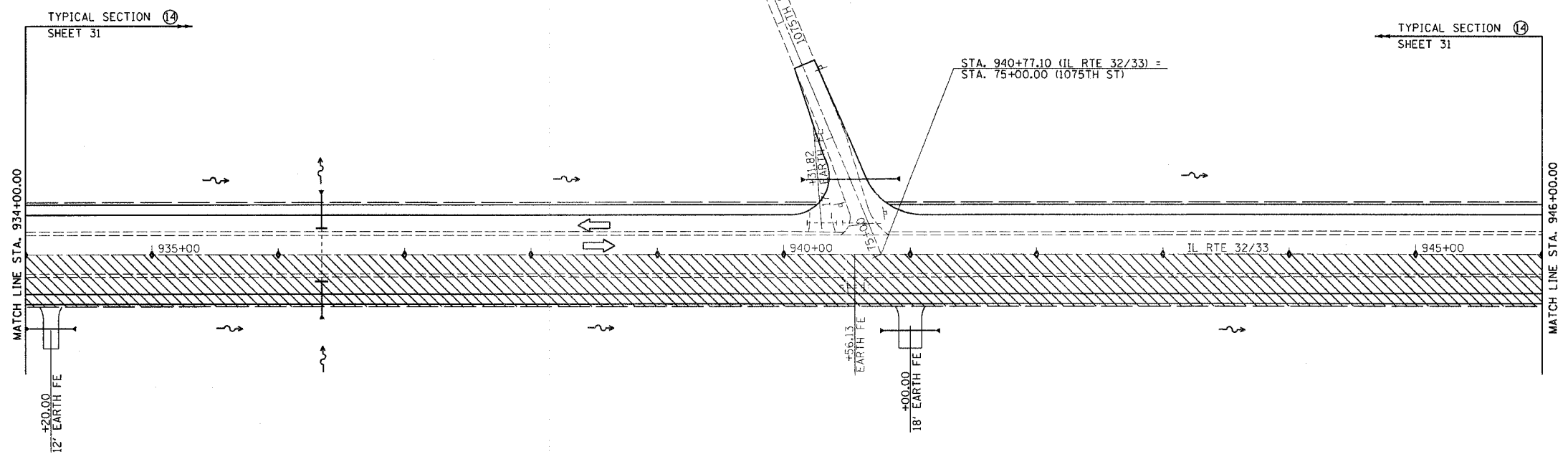


F.A.P. RTE.	SECTION	COUNTY	TOTAL SHEETS	SHEET NO.
774	.	EFFINGHAM	344	57
FED. ROAD DIST. NO. 7		ILLINOIS	FED. AID PROJECT	
*107WRS-1, 107BY, 107BY-1 & 107B-2				
CONTRACT NO. 94827				



TEMPORARY RAMP  
STA. 950+80.00 - STA. 951+20.00 138 SO YD

- LEGEND**
- STAGE III CONSTRUCTION
  - BARRICADES, TYPE II

REVISIONS	
NAME	DATE

ILLINOIS DEPARTMENT OF TRANSPORTATION

**TRAFFIC CONTROL  
STAGE III CONSTRUCTION  
SHEET 26 OF 32**

DATE 8/02

DRAWN BY ASB  
CHECKED BY RDW