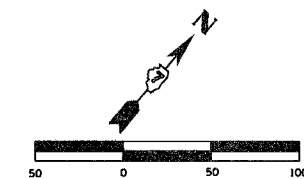


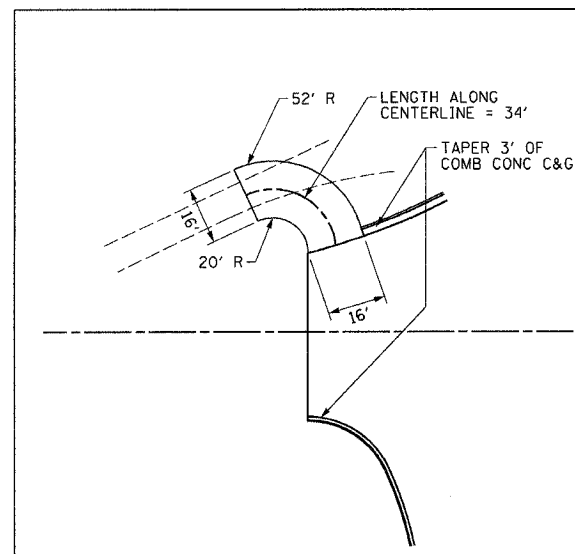
F.A.P. RTE.	SECTION	COUNTY	TOTAL SHEETS	SHEET NO.
774		EFFINGHAM	344	93
FED. ROAD DIST. NO. 7 ILLINOIS FED. AID PROJECT				
• 107WRS-1, 107BY, 107BY-1 & 107B-2				
<b>CONTRACT NO. 94827</b>				



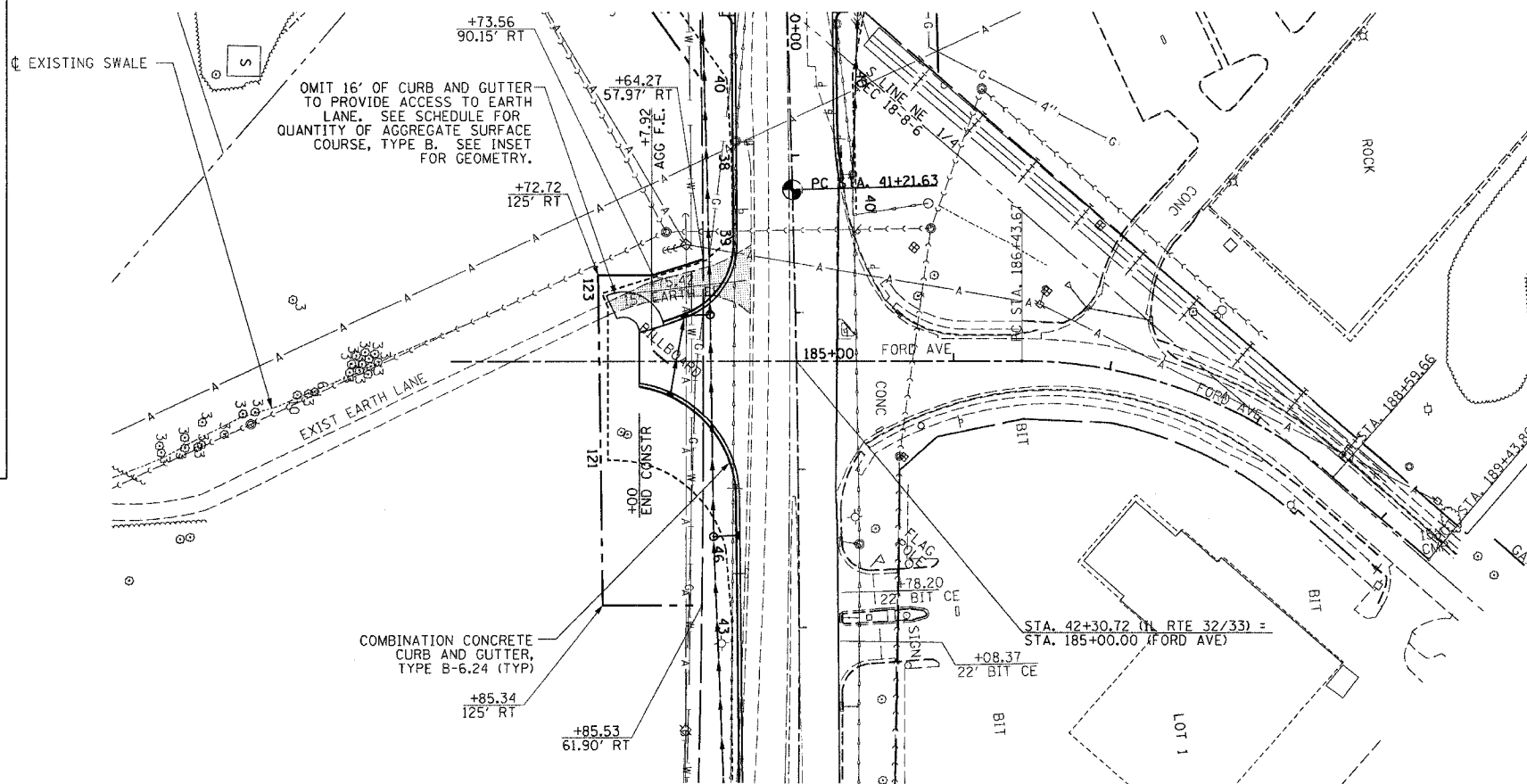
PROP CURVE C13  
 PI STA. = 187+56.58  
 $\Delta = 41^\circ 14' 58''$  (RT)  
 $D = 19^\circ 05' 55''$   
 $R = 300.00'$   
 $T = 112.91'$   
 $L = 215.98'$   
 $E = 20.54'$   
 $e = N/C$   
 P.C. STA. = 186+43.67  
 P.T. STA. = 188+59.66

FOR INTERSECTION GEOMETRICS  
 SEE SHEET 101

FOR STORM SEWER SCHEDULE  
 SEE SHEET 27



INSET



PLAN	DATE	BY
REVISION		
DATE		
BY		
NOTE BOOK		
NO.		

PROFILE	DATE	BY
REVISION		
DATE		
BY		
NOTE BOOK		
NO.		

