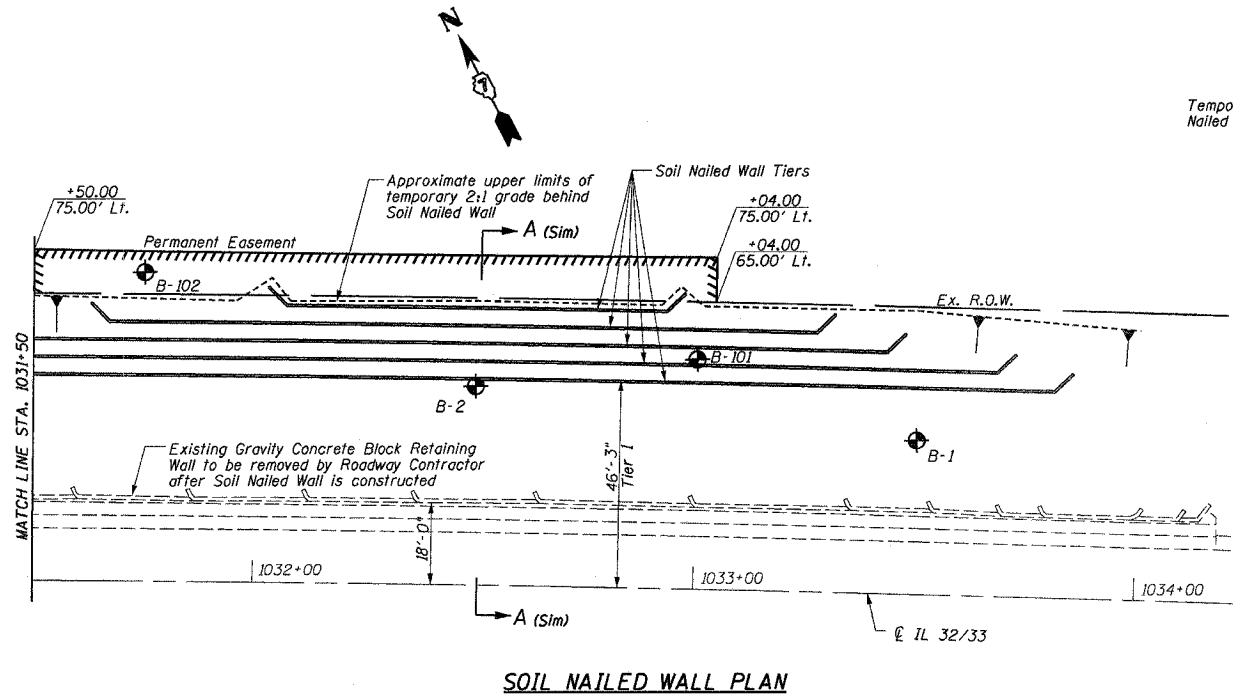


STATE OF ILLINOIS  
DEPARTMENT OF TRANSPORTATION

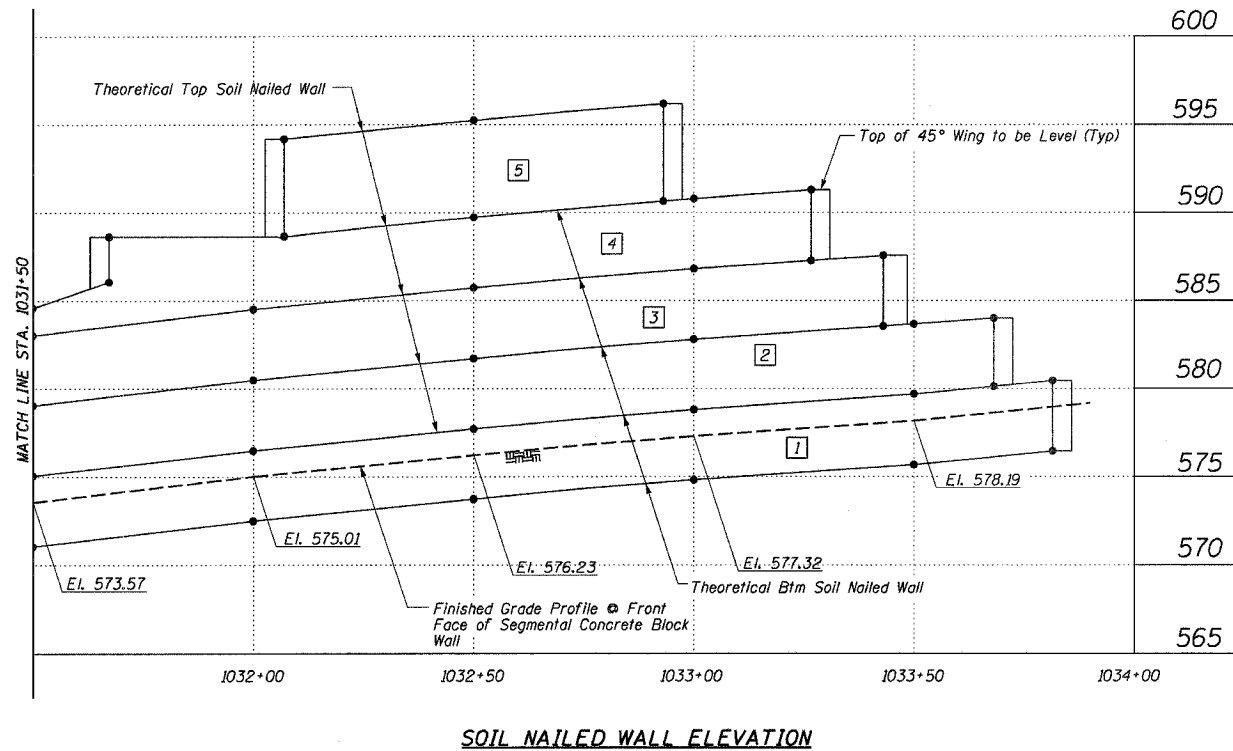
F.A.P. RTE.	SECTION	COUNTY	TOTAL SHEETS	SHEET NO.
774		EFFINGHAM	344	122
FED. ROAD DIST. NO. 7 ILLINOIS FED. AID PROJECT				
• 107WRS-1, 107BY, 107BY-1 & 107B-2				

SHEET NO. 3  
OF 14 SHEETS

CONTRACT NO. 94827



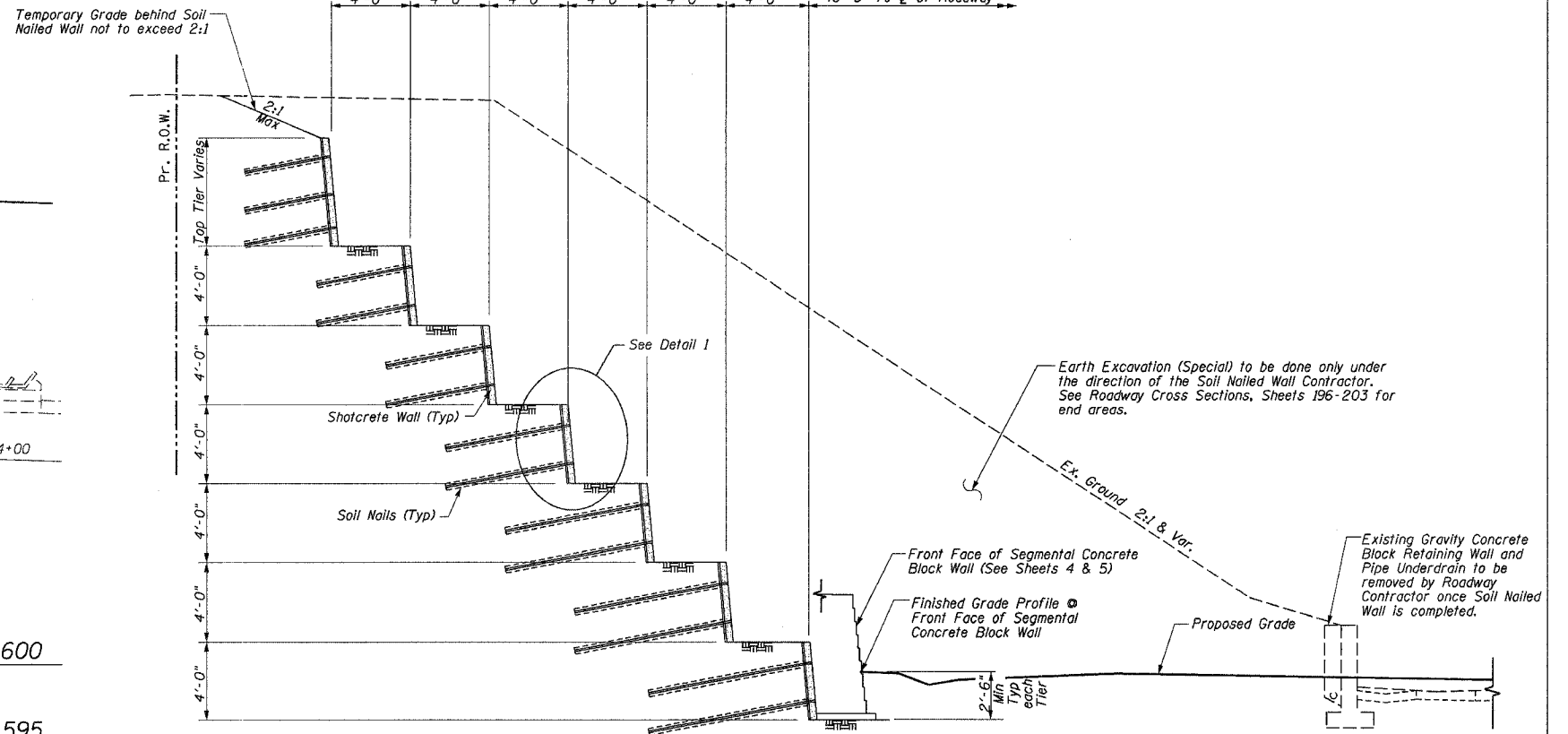
SOIL NAILED WALL PLAN



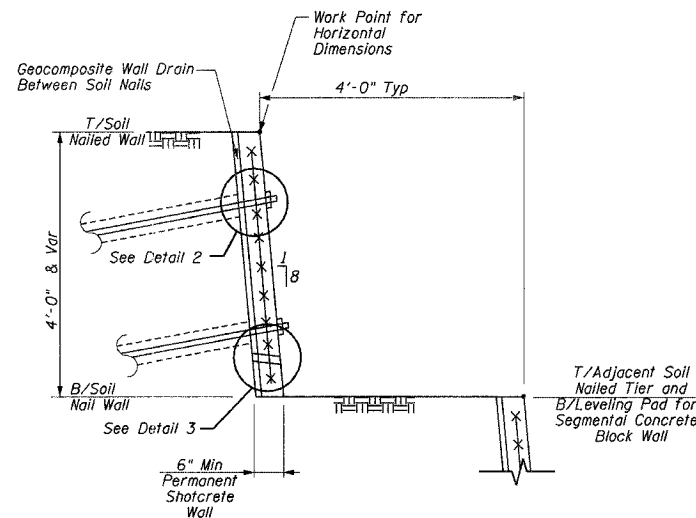
SOIL NAILED WALL ELEVATION

LEGEND

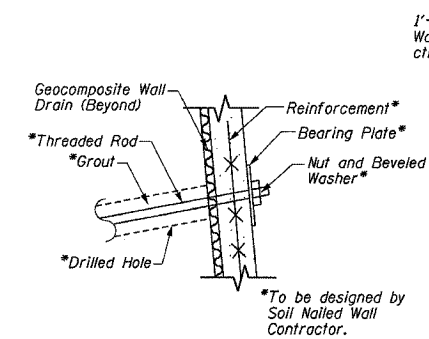
- Denotes Work Point. See Sheet 6 For Wall Elevations.
- Denotes Tier No.



SECTION A-A  
TYPICAL TIERED RETAINING WALL  
(Sta. 1028+00.00 Shown, Others Similar)

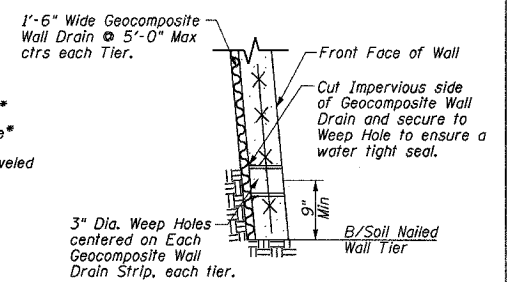


DETAIL 1  
Typical Soil Nailed Wall Tier



DETAIL 2

All exposed Rods, Nuts, Washers, Bearing Plates, etc. shall be coated with Bitumen prior to backfilling. Cost included in cost of Soil Nailed Wall.



DETAIL 3

All costs for the weep hole drain and the connection to the geocomposite wall drain are included in cost of Geocomposite Wall Drain.

SOIL NAILED WALL  
ILLINOIS ROUTE 32/33  
F.A.P. ROUTE 774  
SECTION 107 WRS-1, 107BY,  
107BY-1 & 107B-2  
EFFINGHAM COUNTY  
RETAINING WALL  
STA. 1026+03.00 LT. TO STA. 1033+86.00 LT.  
STRUCTURE NUMBER 025-W008