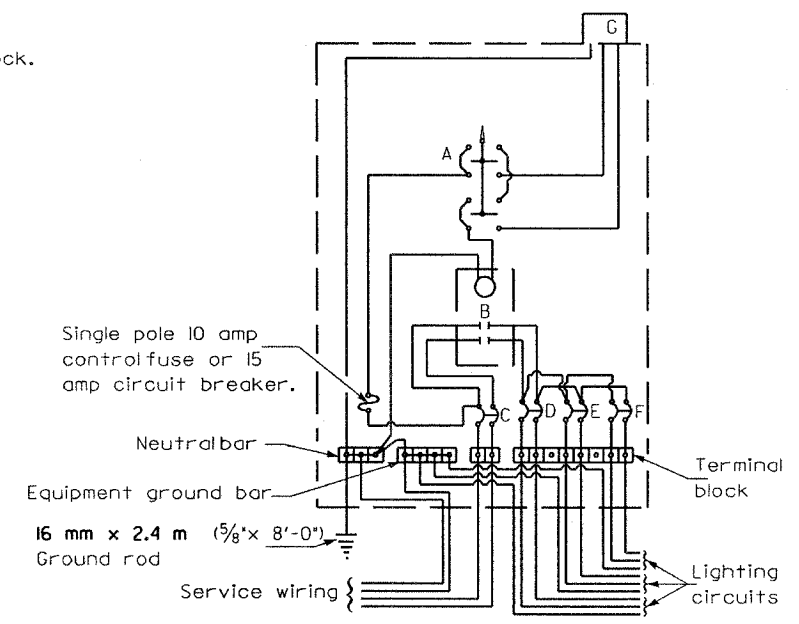
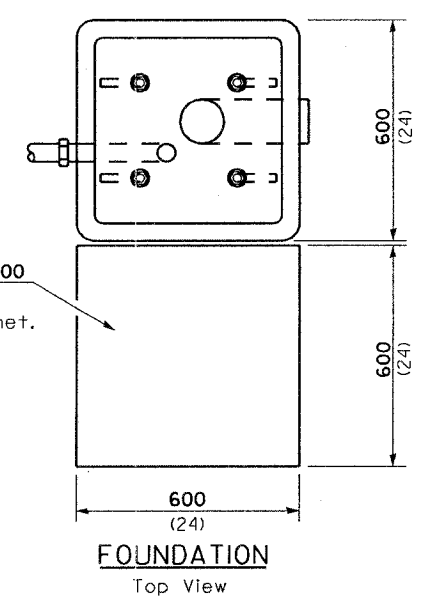
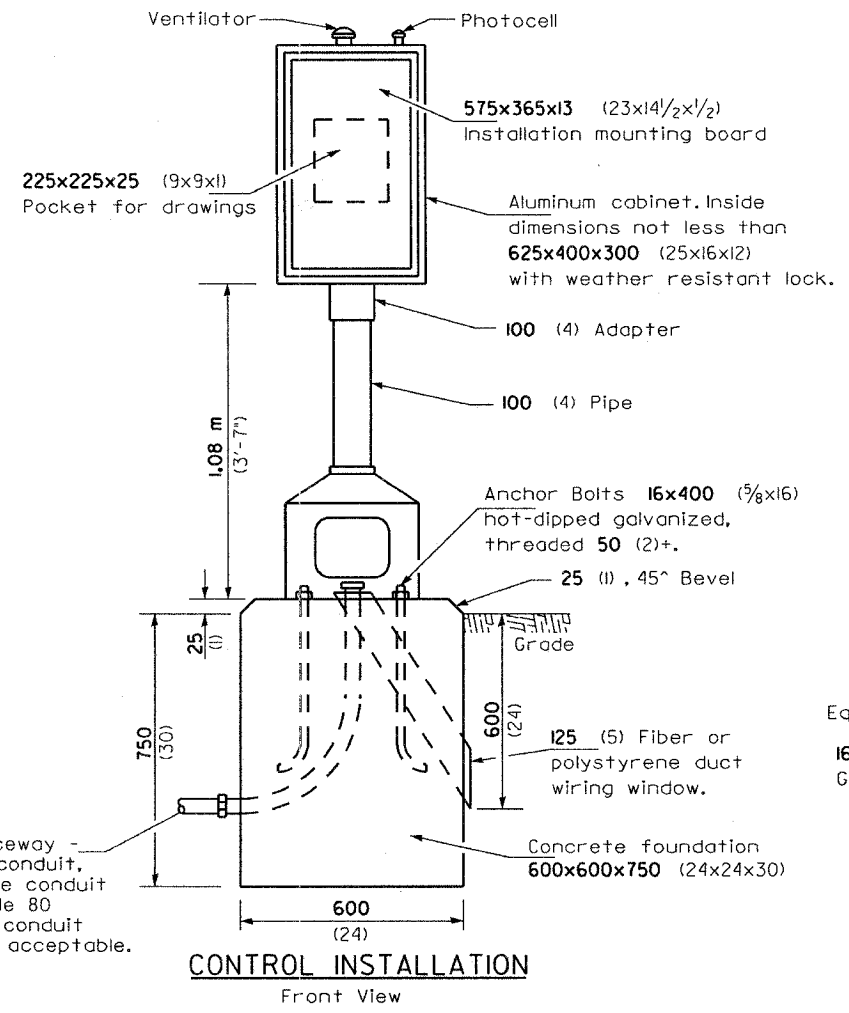
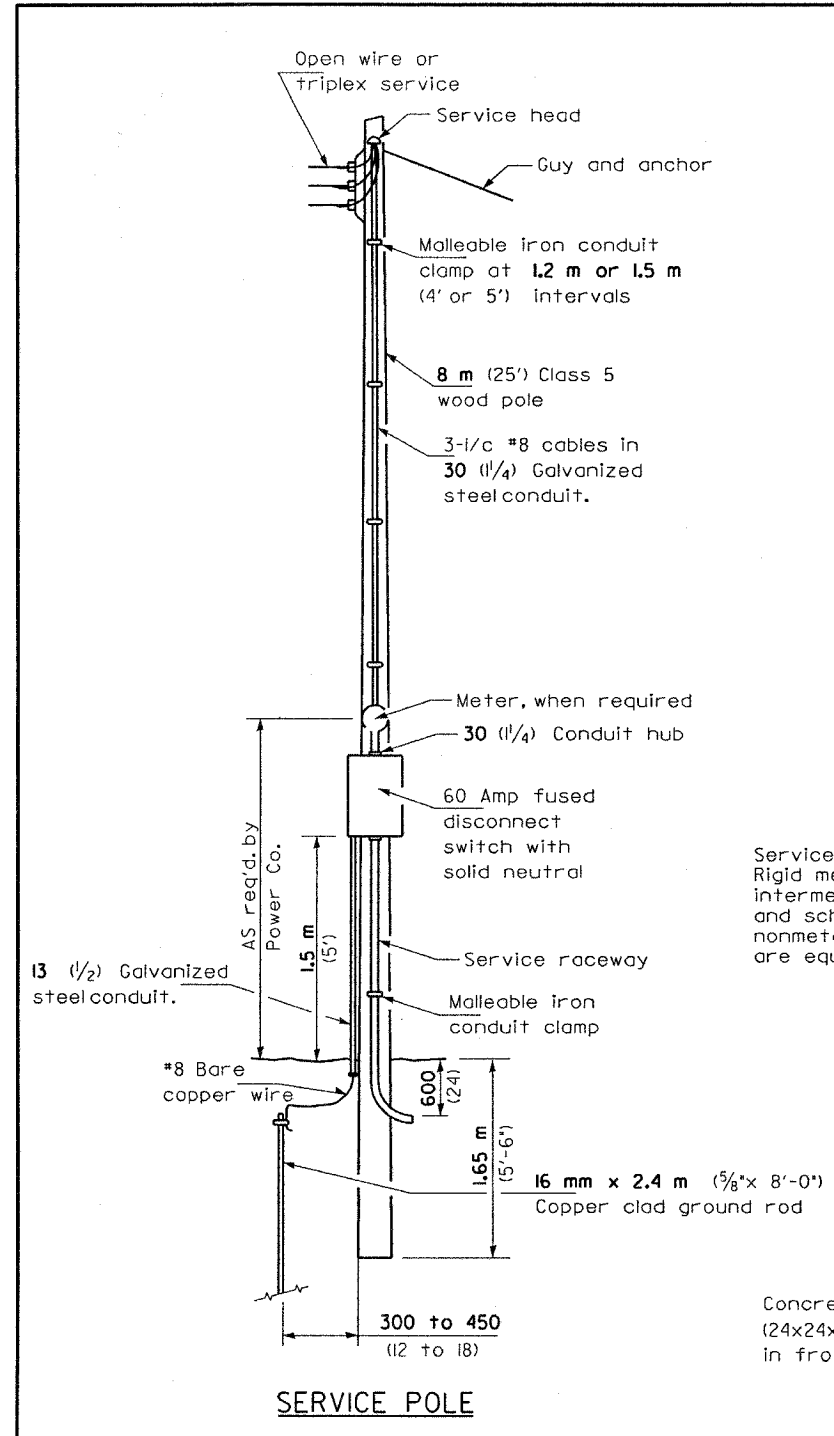


\*107WRS-1, 107BY... CONTRACT NO. 94827

A Selector switch  
 B 2 Pole 60 amp contactor  
 C 2 Pole 60 amp service disconnect  
 D,E,F 2 Pole 30 amp breakers  
 G Photocell w/integral surge arrester



WIRING DIAGRAM

GENERAL NOTES

Locate service pole and control installation adjacent to R.O.W. line with a minimum distance of 9 m (30') from the edge of pavement. Exact location shall be established by the Engineer.

The underground service entrance wiring shall not exceed 46 m (150'). Total aerial and underground service between the control installation and primary transformer shall not exceed 76 m (250').

For 480 V. systems, a 480/120 V. control transformer will be required.

Where soil conditions permit, and where approved by the Engineer, a 150 mm dia. x 1.5 m (6" dia. x 5'-0") long metal screw in foundation may be used in lieu of a concrete foundation.

All dimensions are in millimeters unless otherwise shown.

- 240 V. SERVICE
- 480 V. SERVICE

DATE	REVISIONS

**CONTROL INSTALLATION  
TYPE CB-RCS-60**