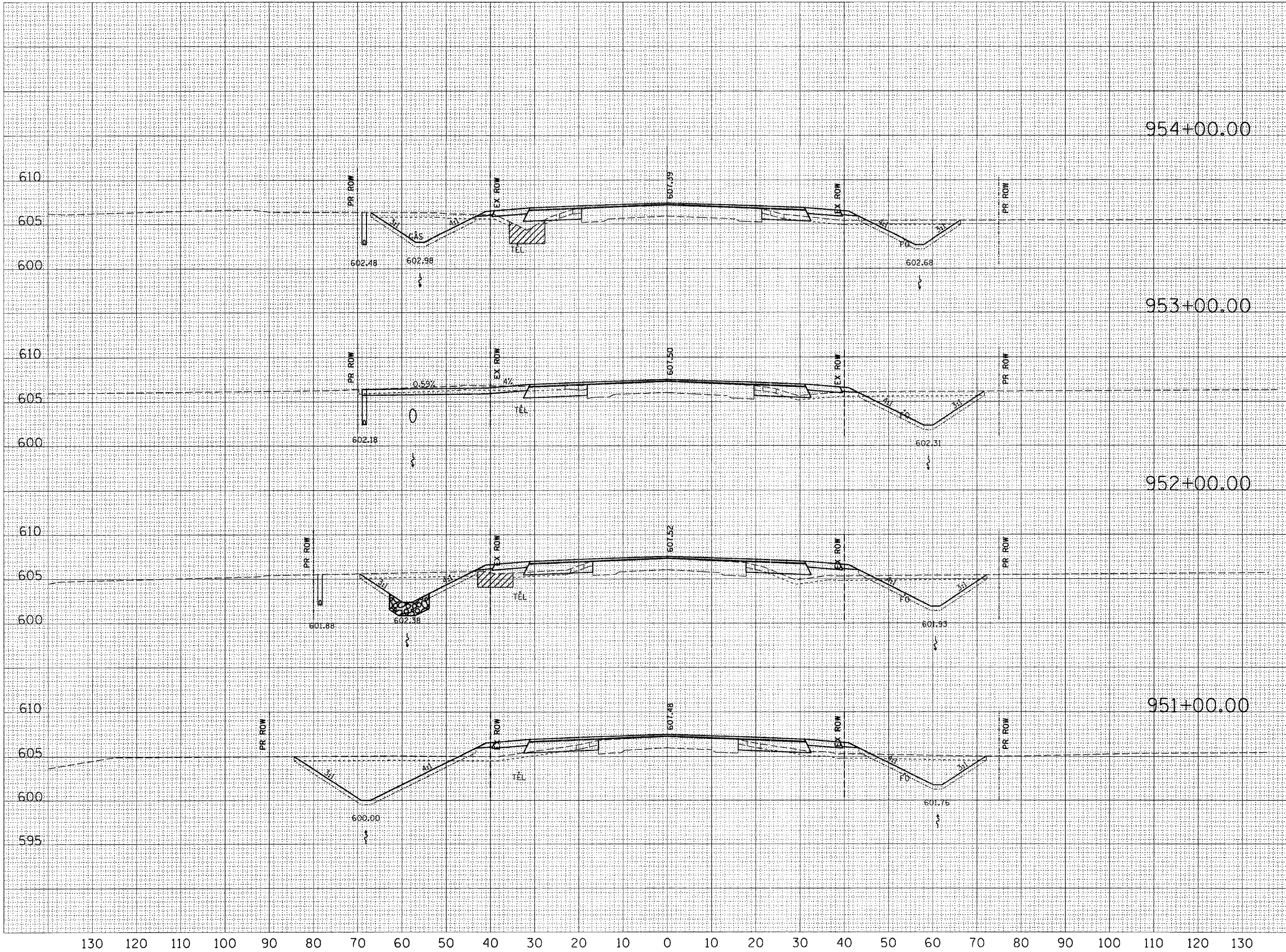


130 120 110 100 90 80 70 60 50 40 30 20 10 0 10 20 30 40 50 60 70 80 90 100 110 120 130

F.A.P. RTE.	SECTION	COUNTY	TOTAL SHEETS	SHEET NO.
774	*	EFFINGHAM	344	169
STA.	951+00.00	TO STA.	954+00.00	
FED. ROAD DIST. NO. 7 ILLINOIS FED. AID PROJECT				
*107WRS-1, 107BY, 107BY-1 & 107B-2				
CONTRACT NO. 94827				
STAGE II (LT)			STAGE I (RT)	

DATE	BY
DATE	BY
DATE	BY
DATE	BY
DATE	BY

DATE	BY
DATE	BY
DATE	BY
DATE	BY
DATE	BY



610	610	UNSUIT=16
605	605	CUT=48 CUT=35
600	600	FILL=24 FILL=11
		TS_EXC=17 TS_EXC=20
		TS_PLMT=12 TS_PLMT=2
610	610	
605	605	CUT=21 CUT=63
600	600	FILL=0 FILL=8
		TS_EXC=23 TS_EXC=24
		TS_PLMT=0 TS_PLMT=14
610	610	UNSUIT=13
605	605	CUT=45 CUT=52
600	600	FILL=18 FILL=23
		TS_EXC=20 TS_EXC=25
		TS_PLMT=9 TS_PLMT=14
610	610	
605	605	CUT=104 CUT=52
600	600	FILL=20 FILL=15
595	595	TS_EXC=32 TS_EXC=26
		TS_PLMT=21 TS_PLMT=14

