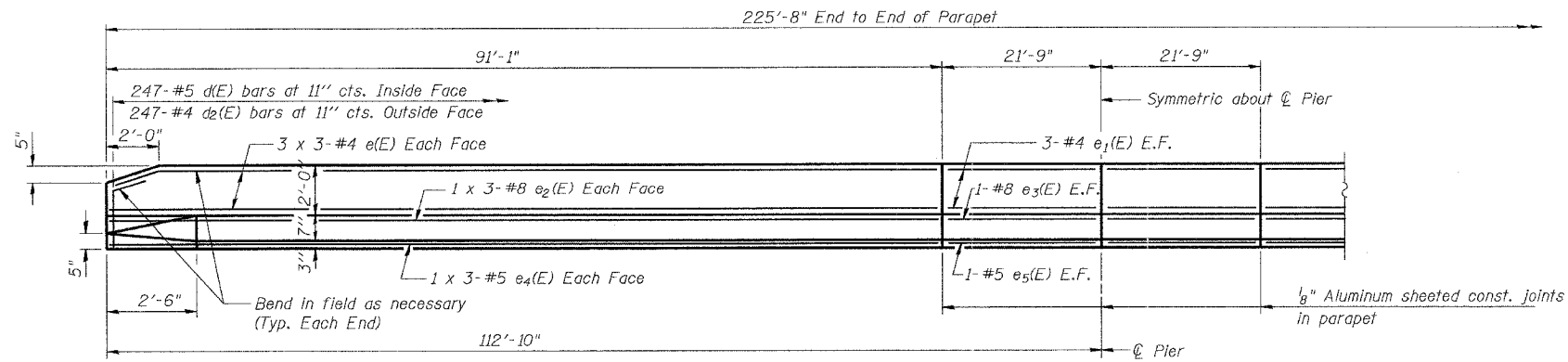


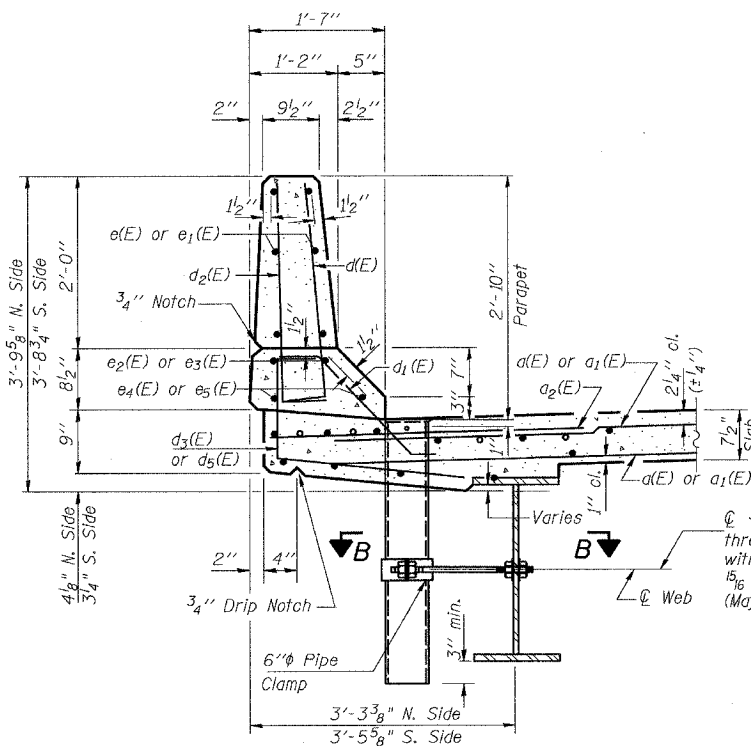
ROUTE NO.	SECTION	COUNTY	TOTAL SHEETS	SHEET NO.	SHEET NO. 9 26 SHEETS
F.A.P. RTE. 774	107BY-1	EFFINGHAM	344	275	
FED. ROAD DIST. NO. 7	ILLINOIS FED. AID PROJECT-				



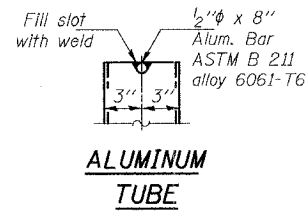
INSIDE ELEVATION OF PARAPET

MIN. BAR LAPS IN PARAPET

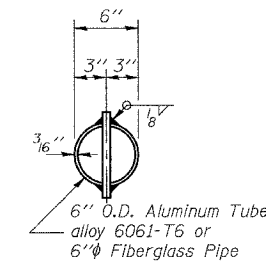
- #4 = 1'-8"
- #5 = 2'-2"
- #8 = 4'-6"



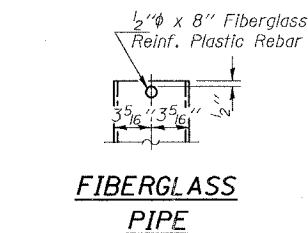
SECTION THRU PARAPET
(Showing 6" φ drain S. Side only)



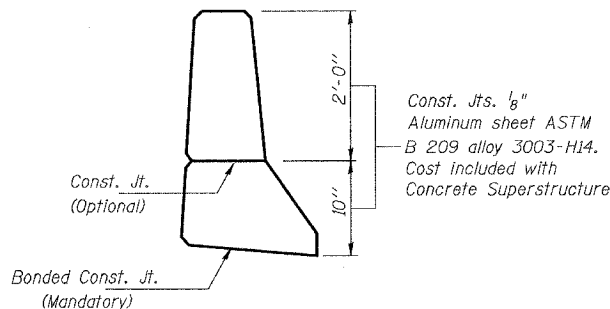
ALUMINUM TUBE



TOP PLAN
(Showing Aluminum Tube)



FIBERGLASS PIPE



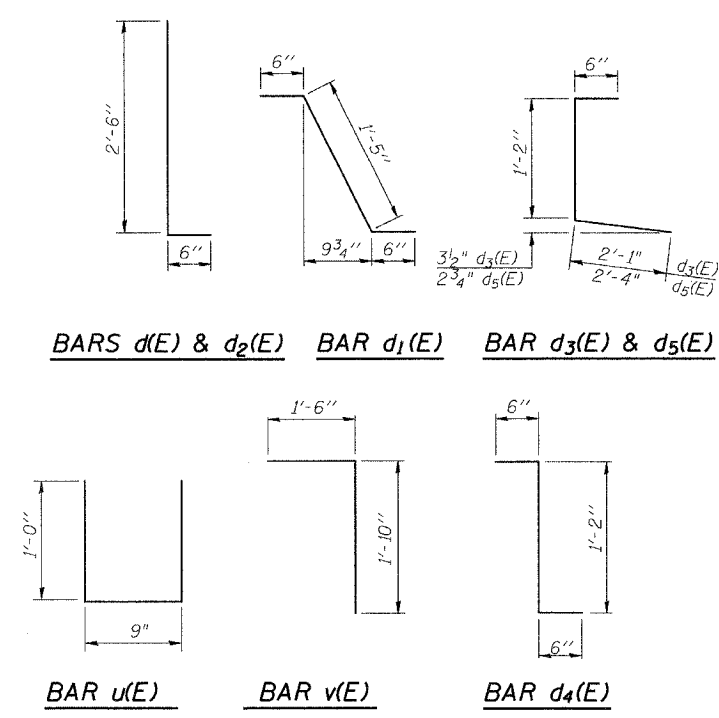
PARAPET JOINT DETAILS

NOTES

The exterior surfaces of the floor drains shall be painted with the finish coat as specified in the special provisions for Cleaning and Painting New Metal Structures. The exterior surfaces of the drains shall be cleaned according to Steel Structures Painting Council's Spec. SSPC-SP1 prior to painting. Fiberglass pipe shall conform to ASTM D 2996, with short-time rupture strength hoop tensile stress of 30,000 p.s.i. minimum.

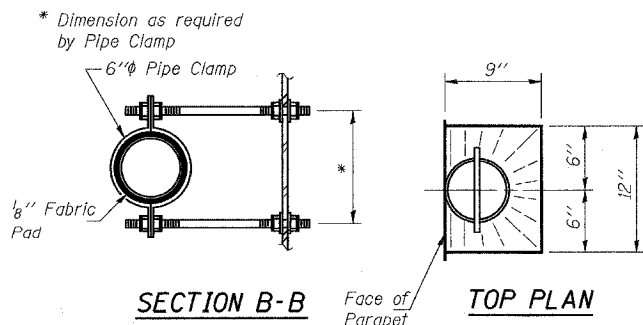
SUPERSTRUCTURE BILL OF MATERIAL

Bar	No.	Size	Length	Shape
a(E)	923	#5	30'-11"	—
a1(E)	923	#5	47'-11"	—
a2(E)	538	#6	4'-6"	—
a3(E)	16	#5	2'-0"	—
b(E)	672	#5	29'-6"	—
b1(E)	243	#6	30'-0"	—
b2(E)	864	#5	26'-5"	—
d(E)	494	#5	3'-0"	—
d1(E)	482	#5	2'-5"	—
d2(E)	494	#4	3'-0"	—
d3(E)	247	#4	3'-9"	—
d4(E)	12	#5	2'-2"	—
d5(E)	247	#4	4'-0"	—
e(E)	72	#4	31'-5"	—
e1(E)	24	#4	21'-6"	—
e2(E)	24	#8	33'-3"	—
e3(E)	8	#8	21'-6"	—
e4(E)	24	#5	31'-7"	—
e5(E)	8	#5	21'-6"	—
m(E)	20	#6	31'-8"	—
m1(E)	20	#6	7'-8"	—
m2(E)	8	#6	8'-5"	—
m3(E)	8	#6	2'-7"	—
m4(E)	8	#6	8'-1"	—
m5(E)	16	#6	10'-0"	—
m6(E)	40	#6	25'-10"	—
m7(E)	24	#6	10'-5"	—
s(E)	174	#5	7'-11"	—
s1(E)	156	#4	12'-2"	—
u(E)	164	#5	2'-9"	—
v(E)	162	#5	3'-4"	—
Reinforcement Bars, Epoxy Coated	Pound		152,780	
Concrete Superstructure	Cu. Yds.		573.6	
Bar Splicers	Each		1103	



NOTES

Reinforcement bars designated (E) shall be epoxy coated. Bars indicated thus 1 x 2-#5 etc. indicates 1 line of bars with 2 lengths per line.



SECTION B-B Face of Parapet
TOP PLAN

SHEET TITLE SUPERSTRUCTURE DETAILS	
PROJECT IL RTE. 32/33 OVER LITTLE WABASH RIVER OVERFLOW F.A.P. RTE. 774 SECTION 107BY-1 EFFINGHAM COUNTY STATION 1018+86.92 STRUCTURE NO. 025-0077	PROJECT NO. 02017 SCALE DATE DRAWN BY TFG CHECKED BY KPS/CME/MCB DRAWING NO.
COOMBE-BLOXDORF P.C. Engineers / Land Surveyors Springfield, Illinois Design Firm License No. 184-002703	9 OF 26 SHTS