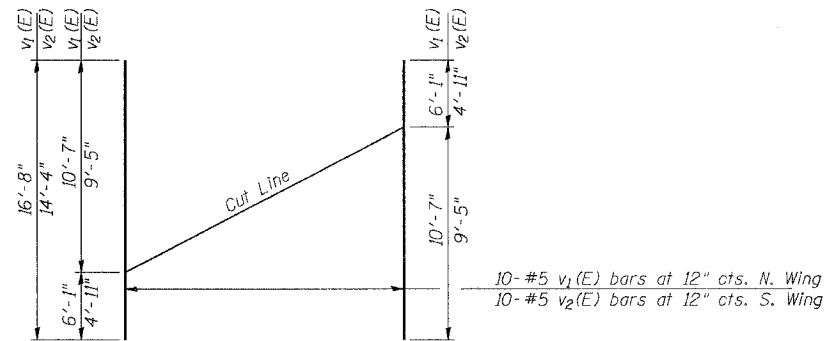
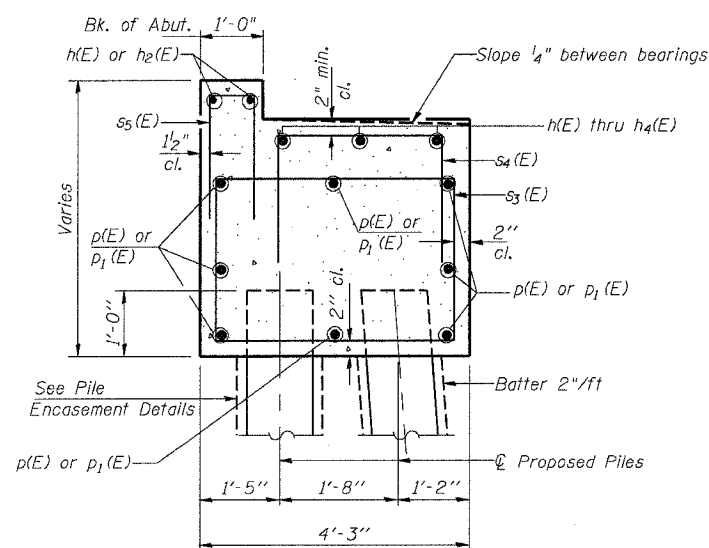
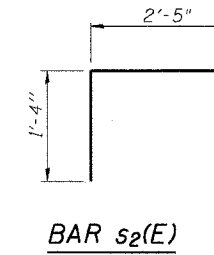
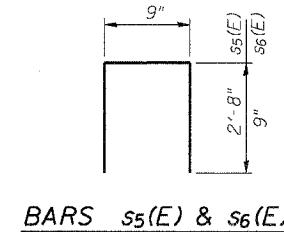
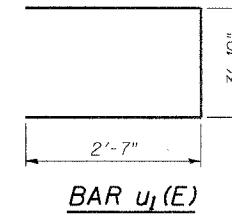
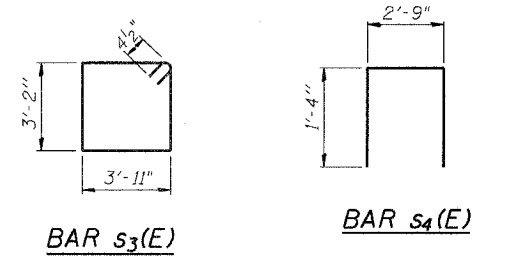


**SECTION B-B**

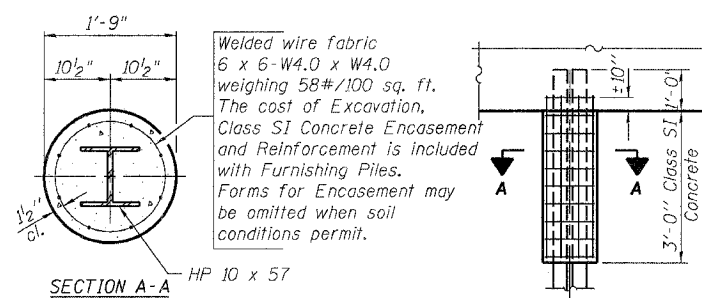


**FIELD CUTTING DIAGRAM**

Order  $v_1(E)$  and  $v_2(E)$  bars full length.  
Cut as shown and use remainder of bars  
in opposite face.



**SECTION A-A**



**PILE ENCASEMENT DETAIL**

**BILL OF MATERIAL 2-ABUTS.**

Bar	No.	Size	Length	Shape
$h(E)$	20	#5	16'-9"	—
$h_1(E)$	6	#5	6'-9"	—
$h_2(E)$	20	#5	25'-3"	—
$h_3(E)$	12	#5	16'-9"	—
$h_4(E)$	6	#5	7'-1"	—
$h_5(E)$	60	#5	12'-2"	—
$h_6(E)$	40	#5	9'-8"	—
$p(E)$	16	#7	17'-7"	—
$p_1(E)$	16	#7	16'-10"	—
$p_2(E)$	32	#7	5'-9"	—
$s_2(E)$	184	#4	3'-9"	┌
$s_3(E)$	76	#4	14'-11"	┐
$s_4(E)$	70	#4	5'-5"	┐
$s_5(E)$	70	#5	6'-1"	┐
$s_6(E)$	92	#5	2'-3"	┐
$u_1(E)$	16	#6	9'-0"	┌
$v_1(E)$	20	#5	16'-8"	—
$v_2(E)$	20	#5	14'-4"	—
* Structure Excavation Cu. Yd. 310				
Concrete Structures Cu. Yd. 79.9				
Reinforcement Bars Lbs. 6830				
Epoxy Coated				
Furnishing Steel Piles Ft. 294				
HP10x57				
Driving Steel Piles Ft. 294				
Test Piles Steel Each 2				
HP10x57				
Bar Splicers Each 10				

Reinforcement bars designated (E) shall be epoxy coated.  
\*Structure Excavation = 155 Cu. Yd. per Abutment.

Work this sheet with sheets 18 & 19 of 26.

SHEET TITLE		
<b>ABUTMENT DETAILS</b>		
PROJECT	IL RTE. 32/33 OVER LITTLE WABASH RIVER OVERFLOW F.A.P. RTE. 774 SECTION 107BY-1 EFFINGHAM COUNTY STATION 1018+86.92 STRUCTURE NO. 025-0077	PROJECT NO. 02017
SCALE		DATE
DRAWN BY	TFG	CHECKED BY
	KPS/CME/MCB	DRAWING NO.
<b>COOMBE-BLOXDORF P.C.</b> Engineers / Land Surveyors Springfield, Illinois Design Firm License No. 184-002703		20 OF 26 SHTS