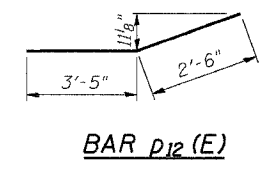
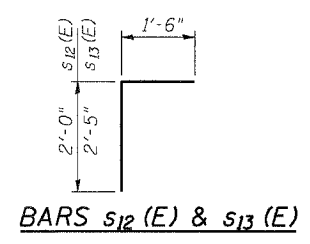
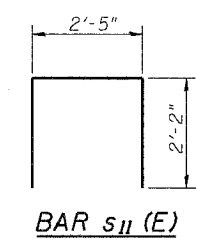
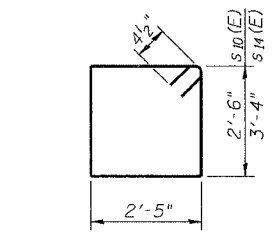
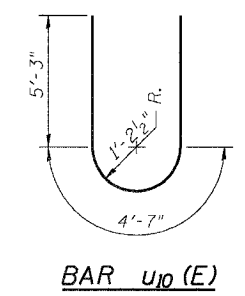
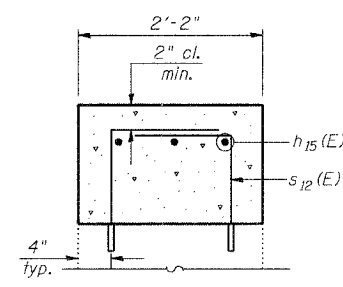
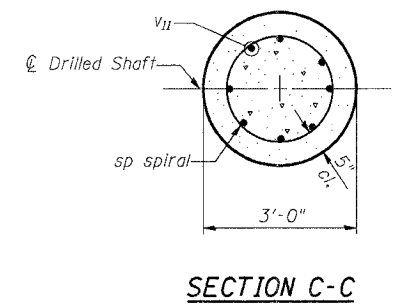
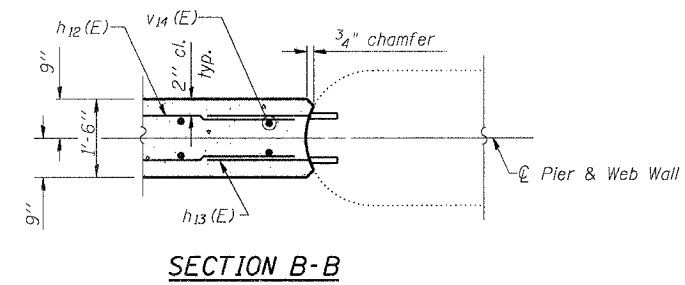
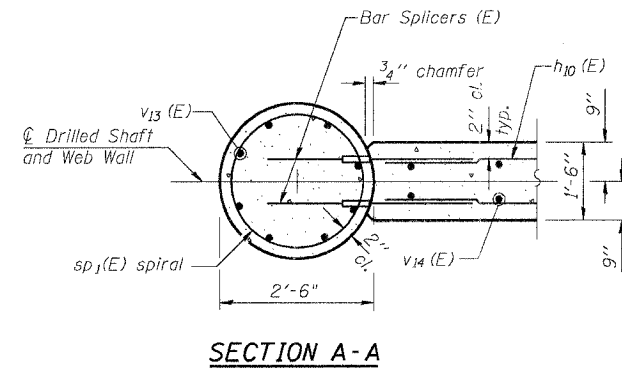
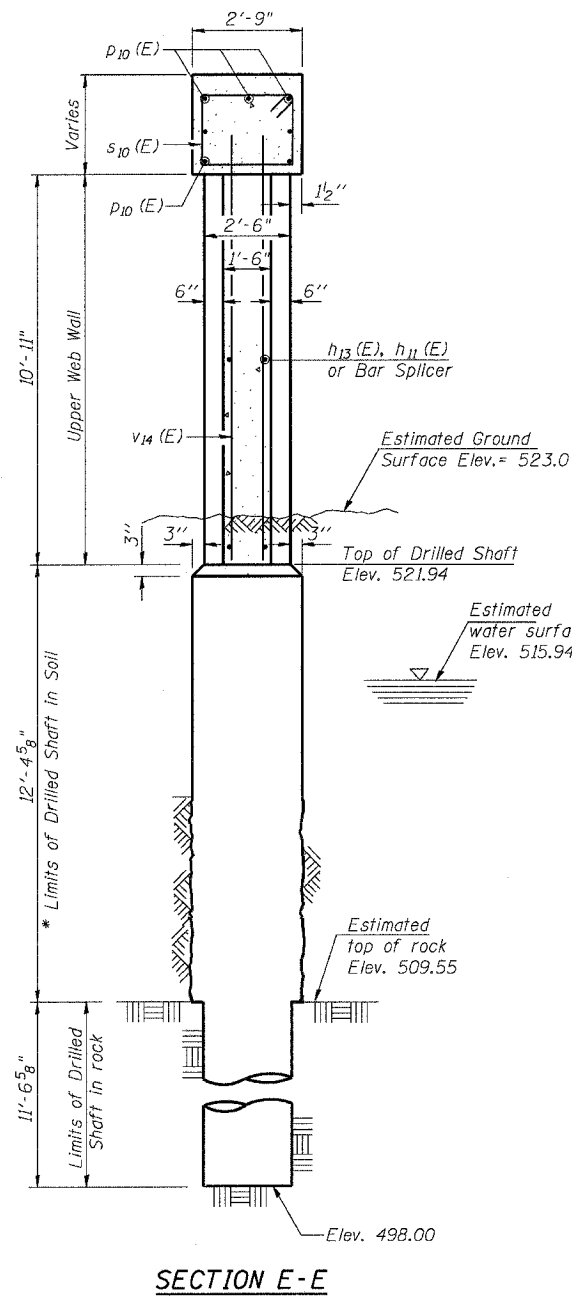


ROUTE NO.	SECTION	COUNTY	TOTAL SHEETS	SHEET NO.	SHEET NO. 23 26 SHEETS
F.A.P. RTE. 774	107BY-1	EFFINGHAM	344	289	
FED. ROAD DIST. NO. 7	ILLINOIS	FED. AID PROJECT-			
CONTRACT NO. 34227					



**BILL OF MATERIAL**

Bar	No.	Size	Length	Shape
h10 (E)	48	#5	4'-11"	—
h11 (E)	24	#5	5'-3"	—
h12 (E)	24	#5	4'-7"	—
h13 (E)	48	#5	3'-7"	—
h14 (E)	3	#5	6'-9"	—
h15 (E)	6	#5	24'-7"	—
h16 (E)	3	#5	29'-10"	—
p10 (E)	7	#7	22'-6"	—
p11 (E)	6	#7	21'-10"	—
p12 (E)	4	#7	5'-11"	—
s10 (E)	23	#4	10'-7"	□
s11 (E)	16	#4	6'-9"	□
s12 (E)	48	#4	3'-6"	□
s13 (E)	16	#4	3'-11"	□
s14 (E)	22	#4	12'-3"	□
sd	4	#4	23'-9"	~
sd1 (E)	4	#4	11'-2"	~
u10 (E)	6	#6	15'-1"	U
v11	32	#9	23'-9"	—
v12 (E)	32	#9	9'-2"	—
v13 (E)	32	#9	13'-6"	—
v14 (E)	48	#5	13'-4"	—
Drilled Shaft in Soil	Foot		50	
Drilled Shaft in Rock	Foot		47	
Concrete Structures	Cu. Yd.		41.2	
Reinforcement Bars, Epoxy Coated	Pound		5820	
Reinforcement Bars	Pound		3440	
Bar Splicers	Each		147	

**NOTES**

Reinforcement Bars designated (E) shall be epoxy coated. Cast steps monolithically with cap. Space cap reinforcement to miss anchor bolts. Minimum lap for spirals = 1 1/2 turns. \*\*Length is height of spiral. Bars indicated thus 3x2-#7 etc. indicates 3 lines of bars with 2 lengths per line.

\* If the prevailing water surface elevation during construction is consistently different than estimated on the plans, the contractor may propose an adjustment to the top of the drilled shaft elevation as part of their installation procedure. The top of all drilled shafts within a substructure unit shall be constructed to the same elevation and extend above the prevailing water surface. The quantities and reinforcement detailing are based on the top of shaft and the estimated elevations shown and may change based on the actual elevations encountered at each shaft and the final top of shaft elevation.

Work this sheet with sheet 22 of 26.

SHEET TITLE <b>PIER DETAILS</b>		PROJECT NO. 02017
PROJECT IL RTE. 32/33 OVER LITTLE WABASH RIVER OVERFLOW F.A.P. RTE. 774 SECTION 107BY-1 EFFINGHAM COUNTY STATION 1018+86.92 STRUCTURE NO. 025-0077	SCALE	DATE
<b>COOMBE-BLOXDORF P.C.</b> Engineers / Land Surveyors Springfield, Illinois Design Firm License No. 184-002708	DRAWN BY TFG	CHECKED BY KPS/CME/MCB
		23
		OF 26 SHTS