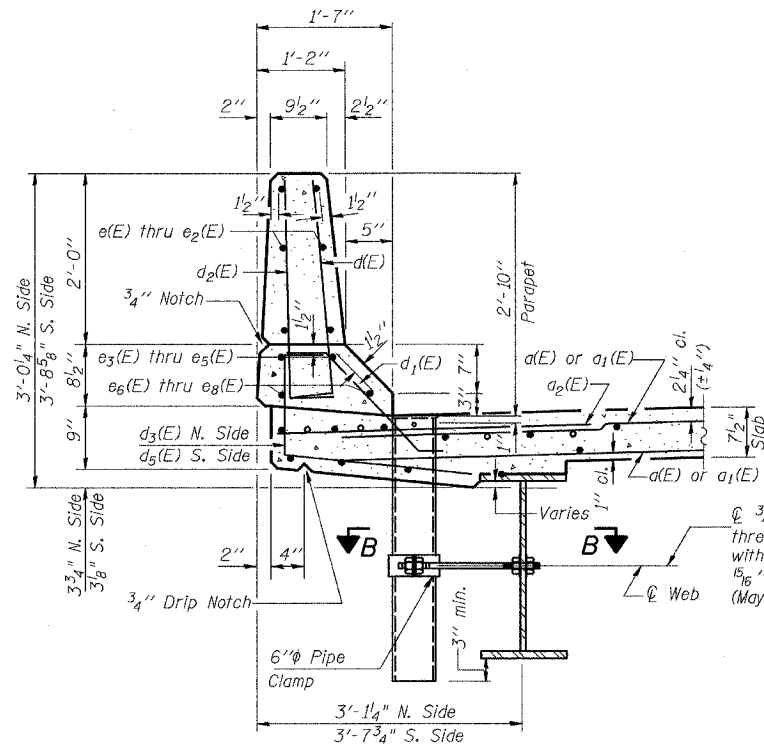


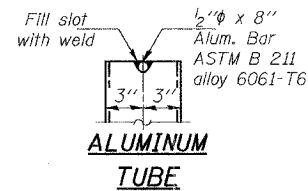
INSIDE ELEVATION OF PARAPET

MIN BAR LAP IN PARAPET

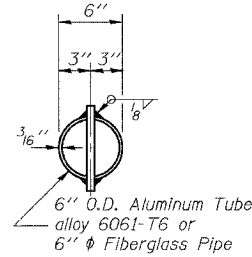
#4 = 1'-8"
#5 = 2'-2"
#8 = 4'-6"



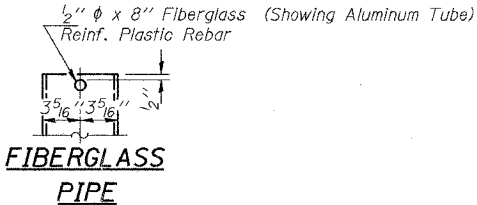
SECTION THRU PARAPET
(Showing 6" drain S. Side only)



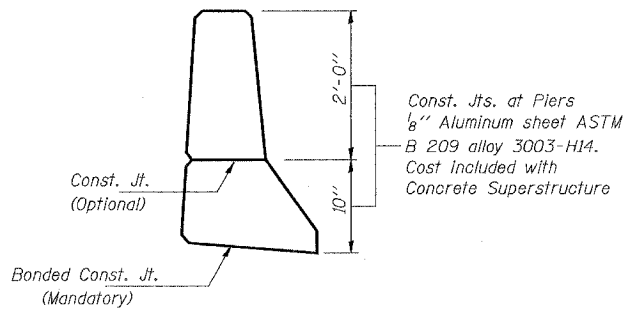
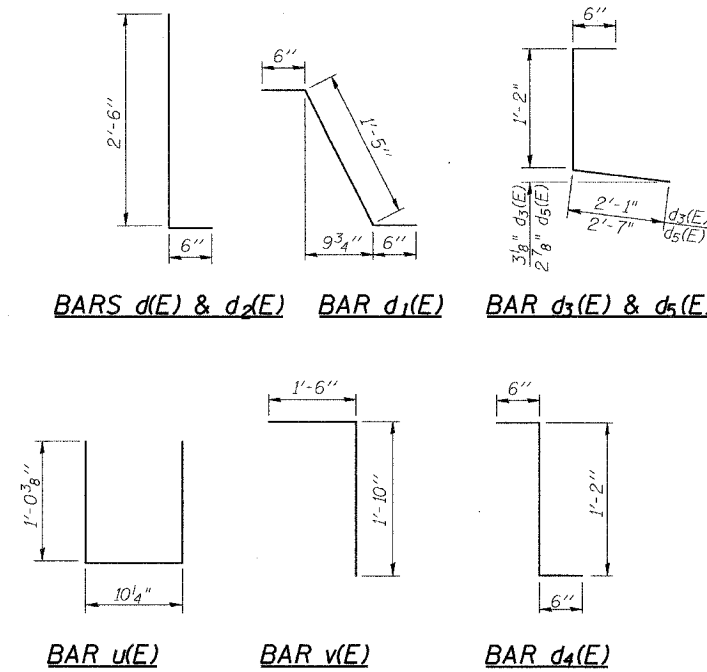
ALUMINUM TUBE



TOP PLAN



FIBERGLASS PIPE



PARAPET JOINT DETAILS

NOTES

The exterior surfaces of the floor drains shall be painted with the finish coat as specified in the special provisions for Cleaning and Painting New Metal Structures. The exterior surfaces of the drains shall be cleaned according to Steel Structures Painting Council's Spec. SSPC-SP1 prior to painting. Fiberglass pipe shall conform to ASTM D 2996, with short-time rupture strength hoop tensile stress of 30,000 p.s.i. minimum.

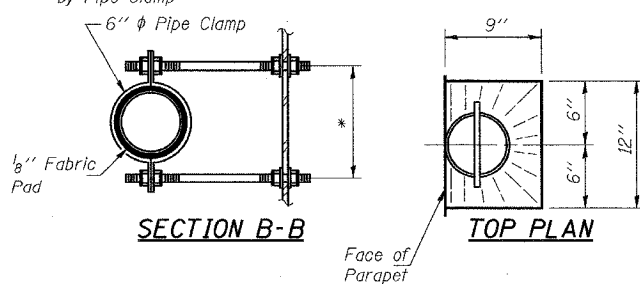
SUPERSTRUCTURE BILL OF MATERIAL

Bar	No.	Size	Length	Shape
d(E)	1075	#5	30'-11"	—
d1(E)	1075	#5	47'-11"	—
d2(E)	628	#6	4'-6"	—
d3(E)	24	#5	2'-0"	—
b(E)	840	#5	27'-9"	—
b1(E)	324	#6	20'-1"	—
b2(E)	882	#5	30'-7"	—
d(E)	578	#5	3'-0"	—
d1(E)	574	#5	2'-5"	—
d2(E)	578	#4	3'-0"	—
d3(E)	288	#4	3'-9"	—
d4(E)	12	#5	2'-2"	—
d5(E)	288	#4	4'-3"	—
e(E)	48	#4	36'-7"	—
e1(E)	48	#4	12'-3"	—
e2(E)	36	#4	24'-5"	—
e3(E)	16	#8	38'-0"	—
e4(E)	16	#8	12'-3"	—
e5(E)	8	#8	37'-3"	—
e6(E)	24	#5	25'-3"	—
e7(E)	16	#5	12'-3"	—
e8(E)	12	#5	24'-9"	—
m(E)	18	#6	36'-6"	—
m1(E)	20	#6	9'-0"	—
m2(E)	8	#6	9'-9"	—
m3(E)	8	#6	3'-6"	—
m4(E)	8	#6	9'-4"	—
m5(E)	16	#6	11'-4"	—
m6(E)	36	#6	29'-6"	—
m7(E)	24	#6	11'-9"	—
s(E)	174	#5	7'-11"	—
s1(E)	156	#4	11'-11"	—
u(E)	164	#5	2'-11"	—
v(E)	162	#5	3'-4"	—
Reinforcement Bars, Epoxy Coated		Pound	174,880	
Concrete Superstructure		Cu. Yds.	676.2	
Bar Splicers		Each	1255	

NOTES

Reinforcement bars designated (E) shall be epoxy coated. Bars indicated thus 1 x 2-#5 etc. indicates 1 line of bars with 2 lengths per line.

* Dimension as required by Pipe Clamp



SECTION B-B

TOP PLAN

SHEET TITLE SUPERSTRUCTURE DETAILS	
PROJECT IL RTE. 32/33 OVER LITTLE WABASH RIVER F.A.P. RTE. 774 SECTION 107BY EFFINGHAM COUNTY STATION 1011+50.17 STRUCTURE NO. 025-0078	PROJECT NO. 02017 SCALE DATE DRAWN BY TFG CHECKED BY GJB/MCB DRAWING NO. 9
COOMBE-BLOXDORF P.C. Engineers / Land Surveyors Springfield, Illinois Design Firm License No. 184-002703	
	OF 29 SHTS

05/04/04
Super-Details

super-details