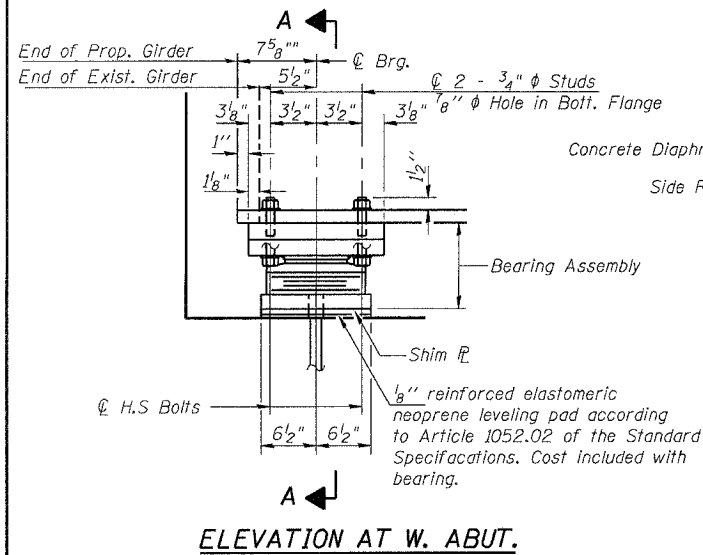
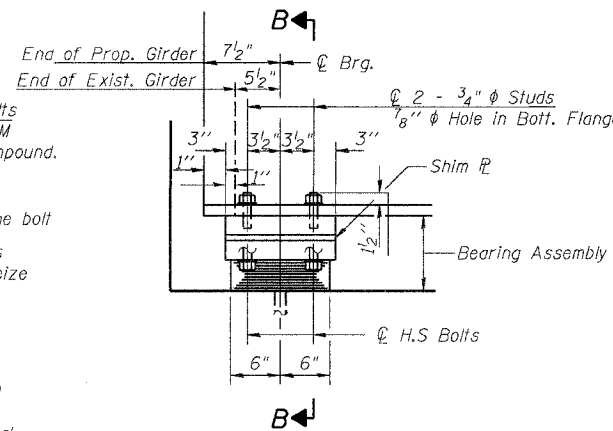
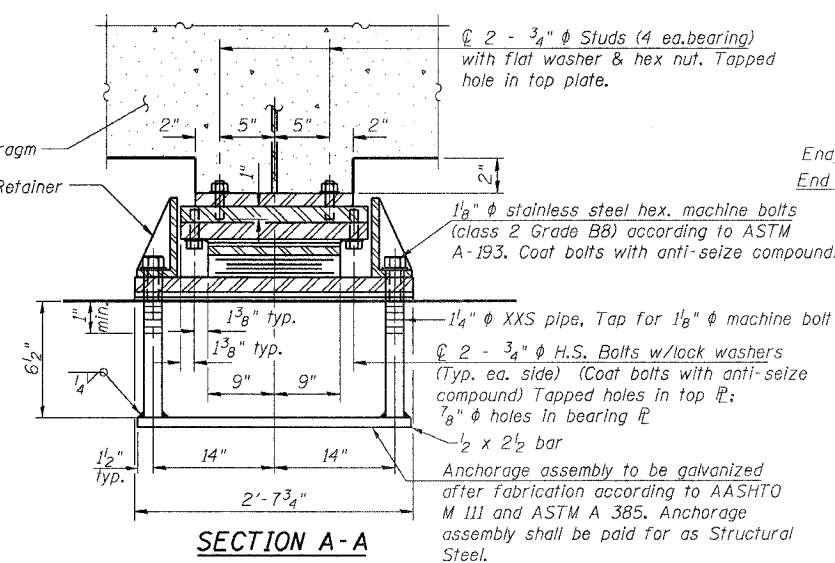


ROUTE NO.	SECTION	COUNTY	TOTAL SHEETS	SHEET NO.	SHEET NO. 14 29 SHEETS
F.A.P. RTE. 774	107BY	EFFINGHAM	344	386	
FED. ROAD DIST. NO. 7 ILLINOIS FED. AID PROJECT					

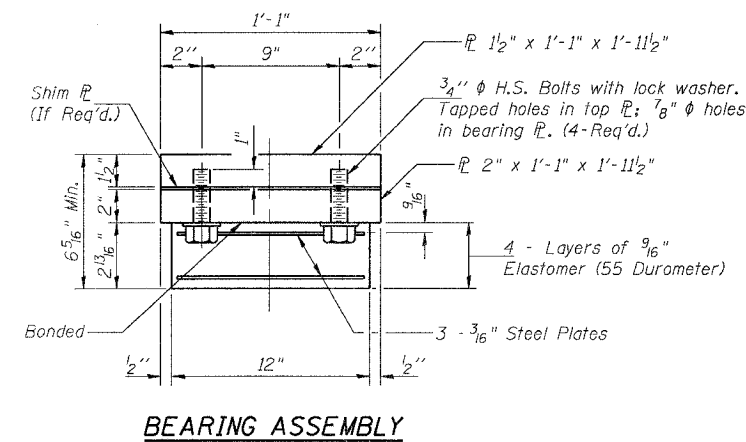
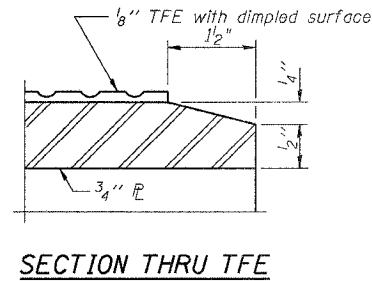
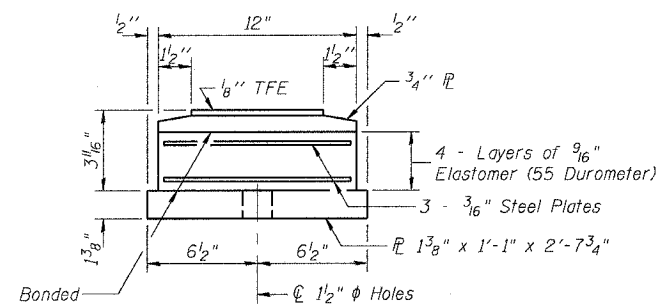
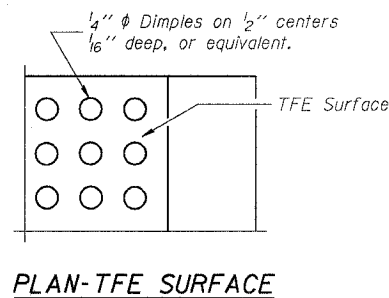
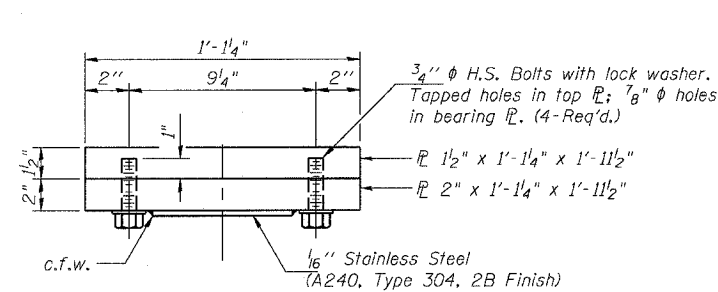
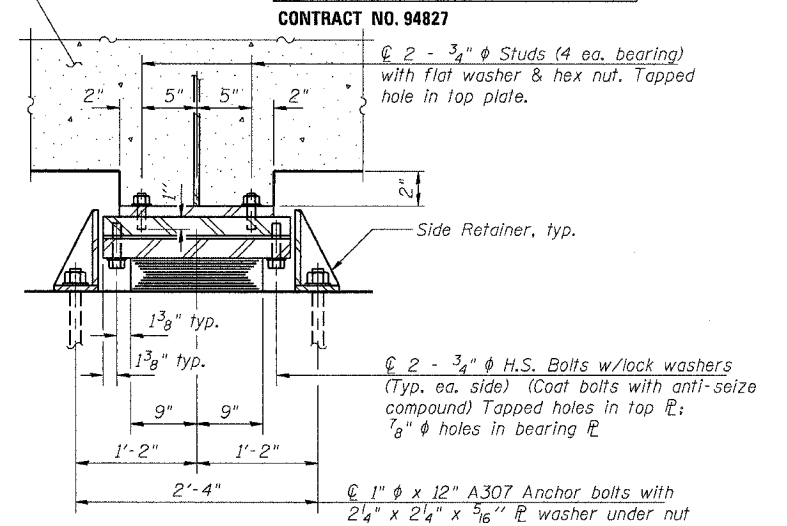
CONTRACT NO. 94827



**TYPE II ELASTOMERIC EXP. BRG. W. ABUT.**



**TYPE I ELASTOMERIC EXP. BRG. E. ABUT.**



**NOTES**

See sheet 16 of 29 for Anchor Bolt installation. 7/8"  $\phi$  Holes for 3/4"  $\phi$  studs will be drilled in the field for existing girders. Cost included with Jacking and Cribbing. The Structural Steel bearing plates of the elastomeric bearing assembly shall conform to the requirements of AASHTO M270, Grade 50.

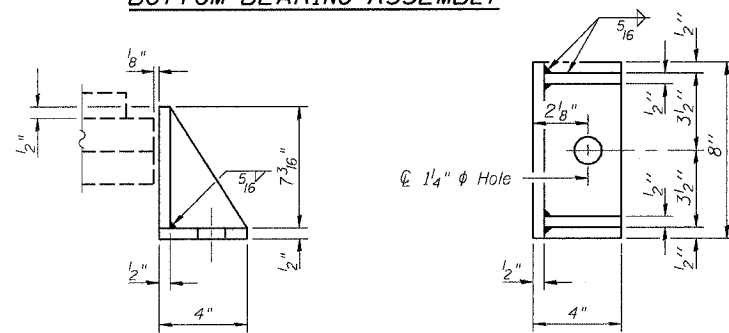
Note: Shim plates shall not be placed under Bearing Assembly.

Note: The 1/8" TFE sheet shall be bonded directly to the top steel plate with a two-component, medium viscosity epoxy resin, conforming to the requirements of the Federal Specification MMM-A-134, Type I. The bond agent shall be applied on the full area of the contact surfaces.

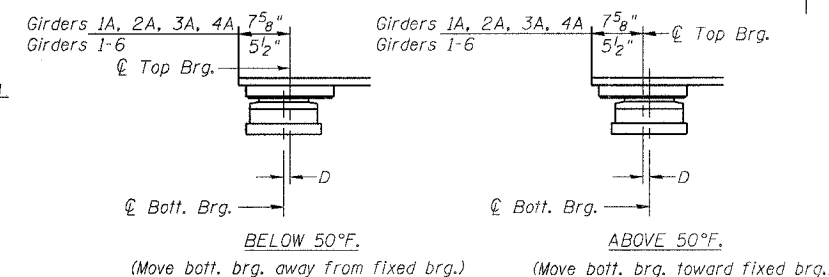
Bonding of 1/8" TFE sheet during vulcanizing process will be permitted provided the process and method of adjusting assembly height is approved by the Engineer.

**BILL OF MATERIAL**

Item	Unit	Total
Elastomeric Bearing Assembly Type I	Each	10
Elastomeric Bearing Assembly Type II	Each	10

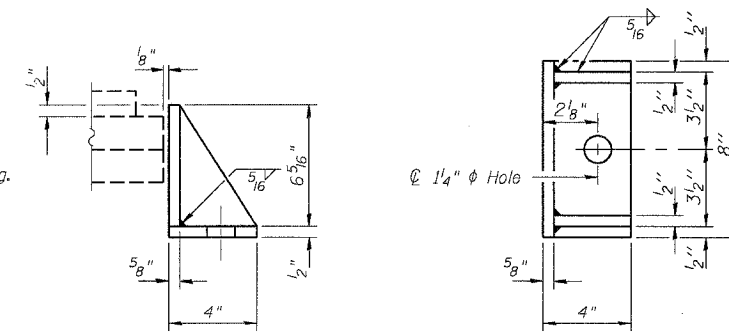


**SIDE RETAINER W. ABUT.**  
Equivalent rolled angle with stiffeners will be allowed in lieu of welded plates. Weight included with Structural Steel.



**SETTING ANCHOR BOLTS AT EXP. BRG.**

D = 1/8" per each 100' of expansion for every 15° temp. change from the normal temp. of 50°F.



**SIDE RETAINER E. ABUT.**  
Equivalent rolled angle with stiffeners will be allowed in lieu of welded plates. Weight included with Structural Steel.

SHEET TITLE		PROJECT NO.	
<b>BEARING DETAILS</b>		02017	
PROJECT IL RTE. 32/33 OVER LITTLE WABASH RIVER F.A.P. RTE. 774 SECTION 107BY EFFINGHAM COUNTY STATION 1011+50.17 STRUCTURE NO. 025-0078		SCALE	DATE
DRAWN BY CFC/TFG		CHECKED BY GJB/MCB	DRAWING NO.
<b>COOMBE-BLOXDORF P.C.</b> Engineers/Land Surveyors Springfield, Illinois Design Firm License No. 184-002703		14	
		OF 29 SHTS	