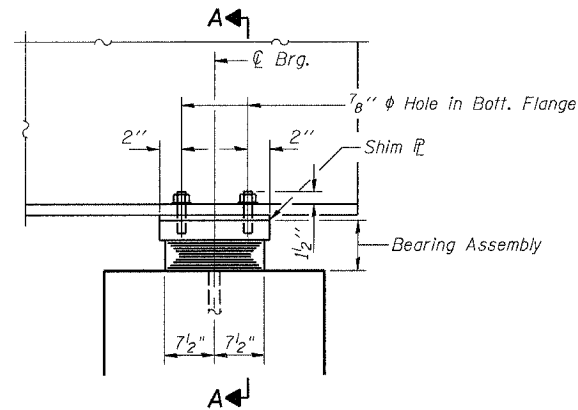
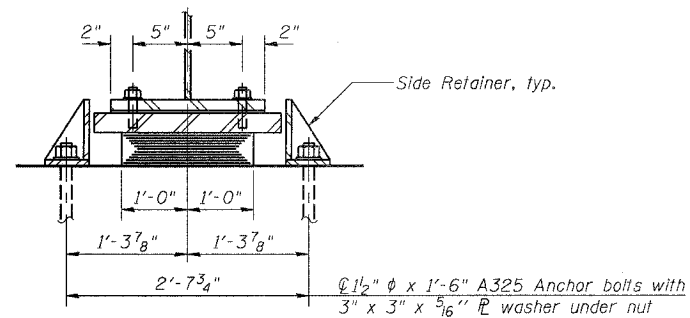


ROUTE NO.	SECTION	COUNTY	TOTAL SHEETS	SHEET NO.	SHEET NO. 15
F.A.P. RTE. 774	107BY	EFFINGHAM	344	307	29 SHEETS
FED. ROAD DIST. NO. 7 ILLINOIS FED. AID PROJECT-					
CONTRACT NO. 04027					

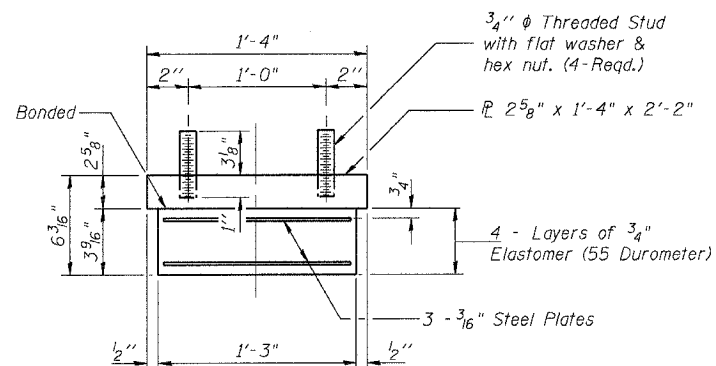


ELEVATION AT PIER 1



SECTION A-A

TYPE I ELASTOMERIC EXP. BRG. PIER 1

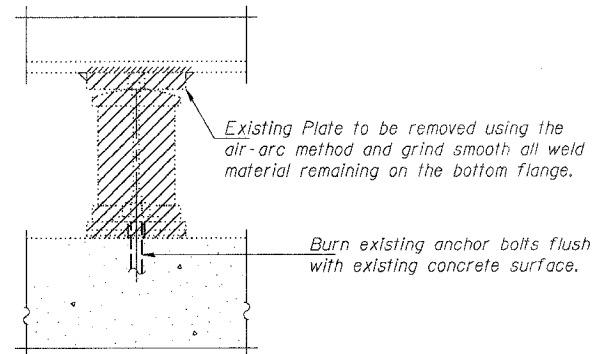


BEARING ASSEMBLY

Note: Shim plates shall not be placed under Bearing Assembly.

NOTES

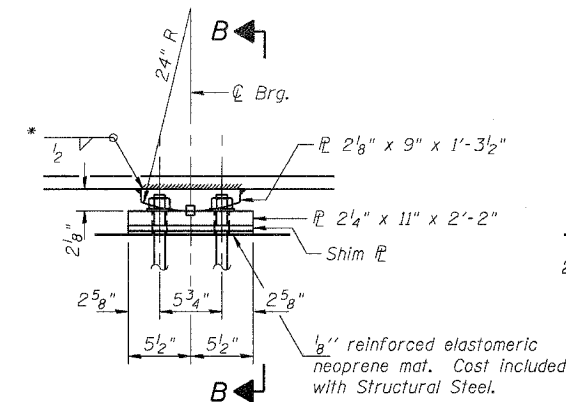
See sheet 16 of 29 for Anchor Bolt installation. 7/8" holes in bottom flange for 3/4" studs will be drilled in the field for existing girders. Cost included with Jacking and Cribbing. Anchor bolts at fixed bearings may be built into the masonry at proposed girders. The Structural Steel bearing plates of the elastomeric bearing assembly shall conform to the requirements of AASHTO M270, Grade 50.



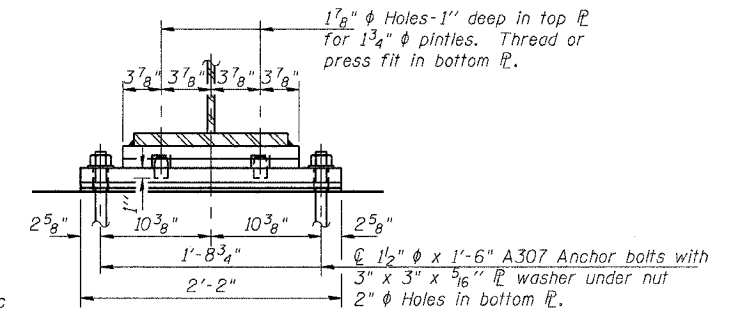
EXISTING BEARING REMOVAL DETAIL

Cost of existing bearing removal and disposal is included with Jacking and Cribbing. Total number to be removed = 24

* Field weld at existing girders. Cost included with Jacking and Cribbing.

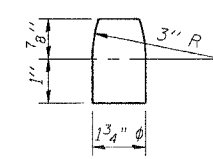


ELEVATION AT PIER 2



SECTION B-B

FIXED BEARING PIER 2



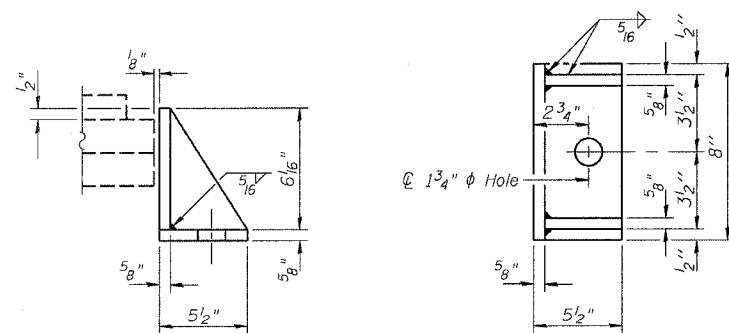
PINTLE

JACKING AND CRIBBING PROCEDURE

- The Contractor shall submit for approval by the Engineer, plans for jacking and cribbing prior to commencing any work at the bearings. See Special Provision for Jacking and Cribbing. Dead Load = 7 k per girder at each abutment and 23 k per girder at each pier. Use 10 ton min jack capacity at abutments and 25 ton min jack capacity at the piers.
- Jacking and Cribbing shall be done after the existing concrete deck is removed.
- The existing structural steel shall be raised according to the Special Provision for Jacking and Cribbing and to a height sufficient to form, pour and cure the concrete bearing seats, remove the existing bearings and install the new bearings.
- Once the new bearings are in place the existing steel can be lowered into place and connected to the bearings.
- After the existing and proposed girders are sitting on and connected to the new bearings and the proposed diaphragms are in place, forming for the new deck pour can begin.

BILL OF MATERIAL

Item	Unit	Total
Elastomeric Bearing Assembly Type I	Each	10
Jacking and Cribbing	L. Sum	1



SIDE RETAINER

Equivalent rolled angle with stiffeners will be allowed in lieu of welded plates. Weight included with Structural Steel.

SHEET TITLE		PROJECT NO.	
BEARING DETAILS		02017	
PROJECT		SCALE	
IL RTE. 32/33 OVER LITTLE WABASH RIVER			
F.A.P. RTE. 774 SECTION 107BY		DATE	
EFFINGHAM COUNTY		DRAWN BY	
STATION 1011+50.17		TFG/CFC	
STRUCTURE NO. 025-0078		CHECKED BY	
		CJB/MCB	
DRAWING NO.			
COOMBE-BLOXDORF P.C.		15	
Engineers/Land Surveyors		OF 29 SHTS	
Springfield, Illinois			
Design Firm License No. 184-002708			