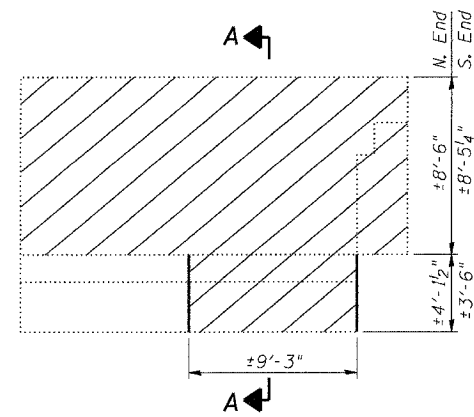
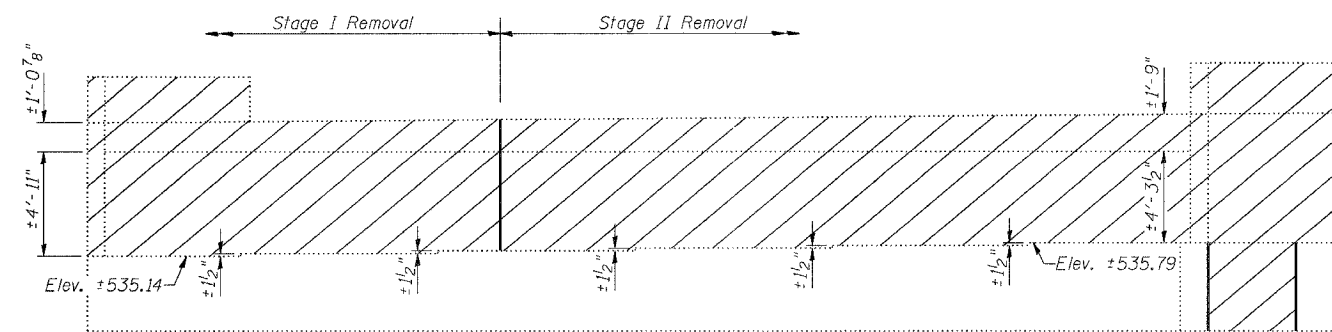


ROUTE NO.	SECTION	COUNTY	TOTAL SHEETS	SHEET NO.	SHEET NO. 17
F.A.P. RTE. 774	107BY	EFFINGHAM	344	309	29 SHEETS
FED. ROAD DIST. NO. 7 ILLINOIS FED. AID PROJECT-					

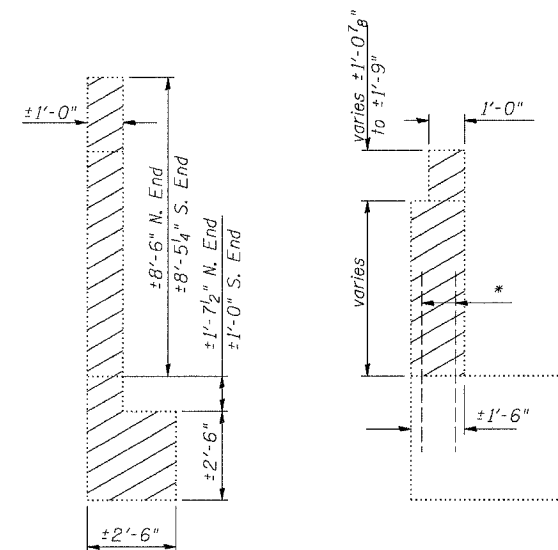
CONTRACT NO. 94827



**WING WALL ELEVATION**  
(South Wingwall Shown)



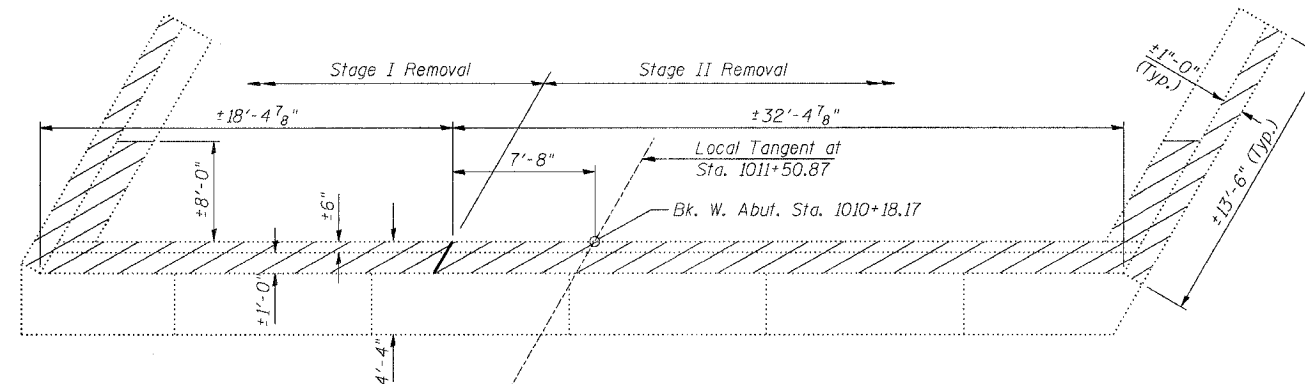
**ELEVATION**  
(Looking West)



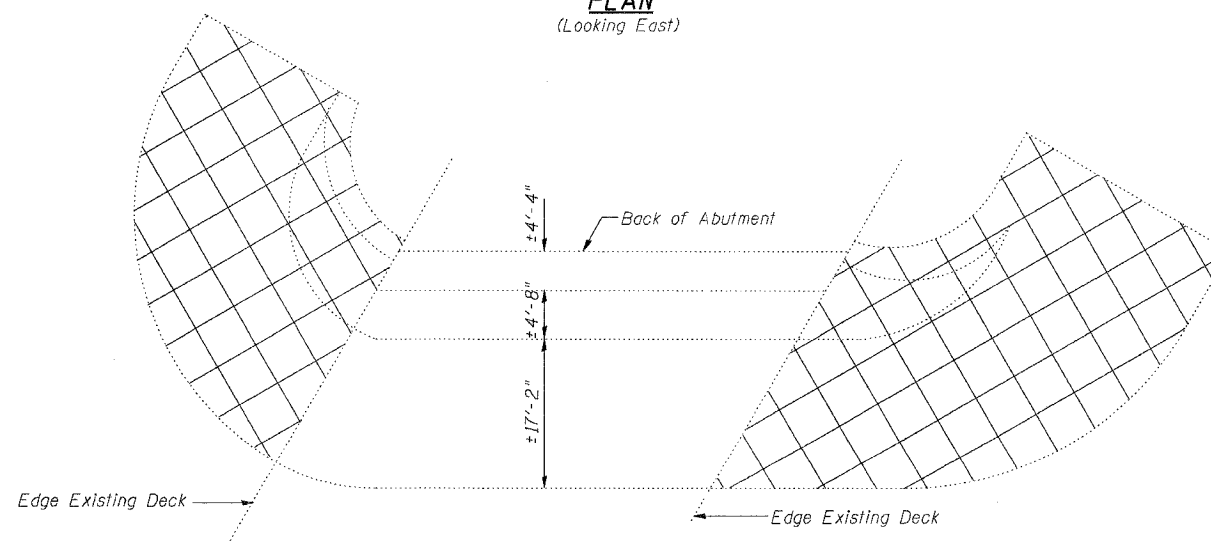
**SEC. A-A**

**SEC. THRU ABUT.**

\* Existing v bars in abutment backwall shall be cut to fit proposed construction.



**PLAN**  
(Looking East)



**SLOPEWALL REMOVAL**

**NOTES**

Hatched areas indicate Concrete Removal.  
Existing reinforcement not extending into areas of new construction shall be cut at the removal line and removed. Exposed portion will be covered with a layer of epoxy. Cost included with Concrete Removal.  
Existing reinforcement extending into the removal area are to be cleaned, straightened and incorporated into the new construction. All reinforcement bars that are damaged during concrete removal shall be replaced with an approved bar splicer or anchorage system. Cost included with Concrete Removal.  
Cross hatched areas indicate SlopeWall Removal.

**BILL OF MATERIAL**

Item	Unit	Quantity
Concrete Removal	Cu. Yd.	29.3
SlopeWall Removal	Sq. Yd.	321

SHEET TITLE		PROJECT NO.
WEST ABUTMENT CONCRETE REMOVAL		02017
PROJECT	SCALE	DATE
IL RTE. 32/33 OVER LITTLE WABASH RIVER		
F.A.P. RTE. 774 SECTION 107BY		
EFFINGHAM COUNTY		
STATION 1011+50.17		
STRUCTURE NO. 025-0078		
DRAWN BY		CHECKED BY
TFG		GJB/MCB
DRAWING NO.		
COOMBE-BLOXDORF P.C.		17
Engineers / Land Surveyors		OF 29 SHTS
Springfield, Illinois		
Design Firm License No. 184-002708		