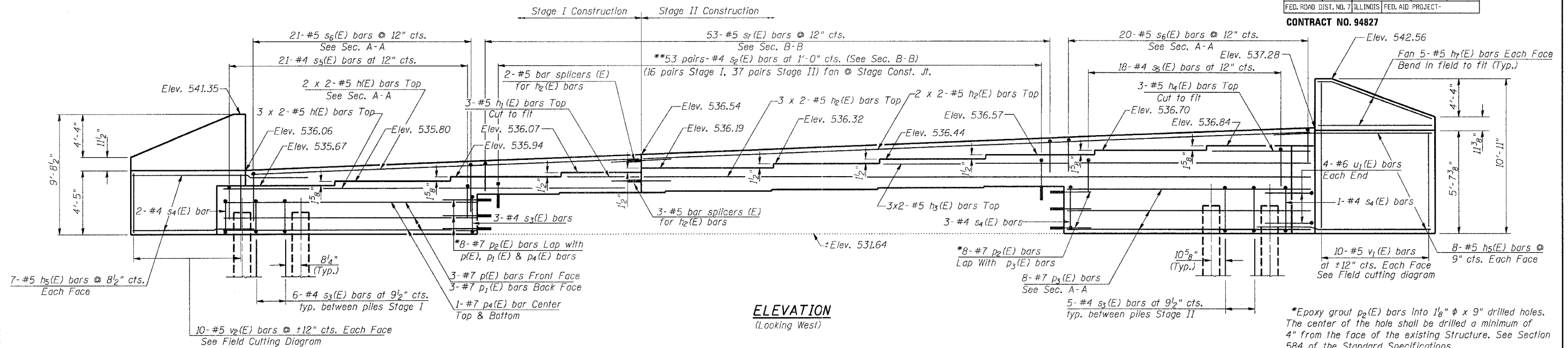


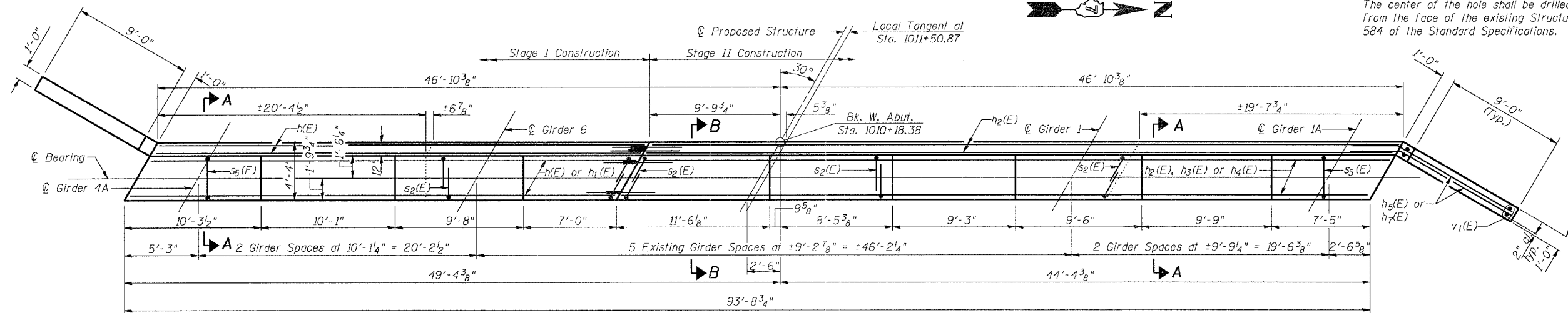
ROUTE NO.	SECTION	COUNTY	TOTAL SHEETS	SHEET NO.	SHEET NO. 18
F.A.P. RTE. 774	107BY	EFFINGHAM	344	318	29 SHEETS
FED. ROAD DIST. NO. 7 ILLINOIS FED. AID PROJECT-					

CONTRACT NO. 94827



**ELEVATION**  
(Looking West)

\*Epoxy grout  $p_2(E)$  bars into  $1\frac{1}{8}$ "  $\phi$  x 9" drilled holes. The center of the hole shall be drilled a minimum of 4" from the face of the existing Structure. See Section 584 of the Standard Specifications.  
\*\*Epoxy grout  $s_2(E)$  bars into  $\frac{3}{4}$ "  $\phi$  x 9" drilled holes. The center of the hole shall be drilled a minimum of 4" from the face of the existing Structure. See Section 584 of the Standard Specifications.



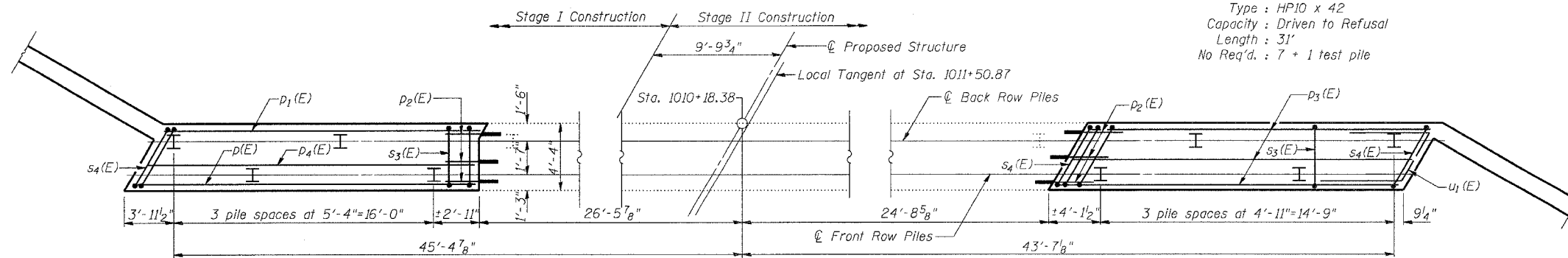
**PLAN**

**PILE DATA**

Type : HP10 x 42  
Capacity : Driven to Refusal  
Length : 31'  
No Req'd. : 7 + 1 test pile

**Min. Bar Lap**

#5 bars = 1'-8"



**PLAN PILE CAP**

Work this sheet with sheet 19 of 29.

SHEET TITLE		WEST ABUTMENT	
PROJECT	IL RTE. 32/33 OVER LITTLE WABASH RIVER	PROJECT NO.	02017
	F.A.P. RTE. 774 SECTION 107BY	SCALE	
	EFFINGHAM COUNTY	DATE	
	STATION 1011+50.17	DRAWN BY	TFG
	STRUCTURE NO. 025-0078	CHECKED BY	GJB/MCB
<b>COOMBE-BLOXDORF P.C.</b>		DRAWING NO.	
Engineers / Land Surveyors		18	
Springfield, Illinois		OF 29 SHTS	
Design Firm License No. 184-002703			