

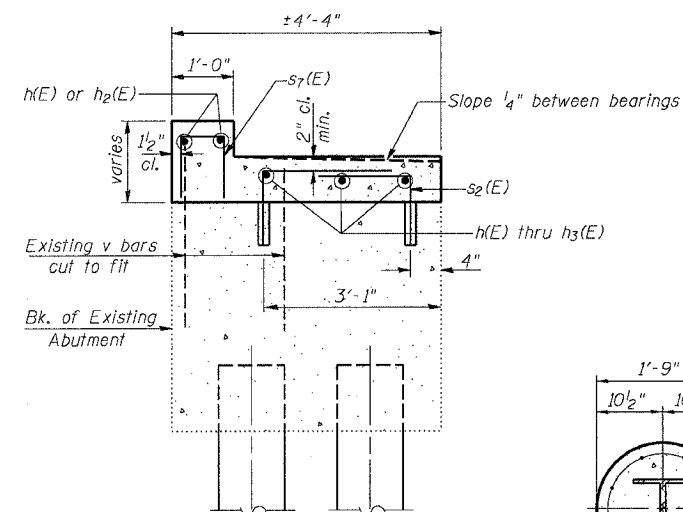
| | | | | | |
|--|---------|-----------|--------------|-----------|---------------------------|
| ROUTE NO. | SECTION | COUNTY | TOTAL SHEETS | SHEET NO. | SHEET NO. 19 29 SHEETS |
| F.A.P. RTE. 774 | 107BY | EFFINGHAM | 344 | 311 | |
| FED. ROAD DIST. NO. 7 ILLINOIS FED. AID PROJECT- | | | | | |

CONTRACT NO. 94827

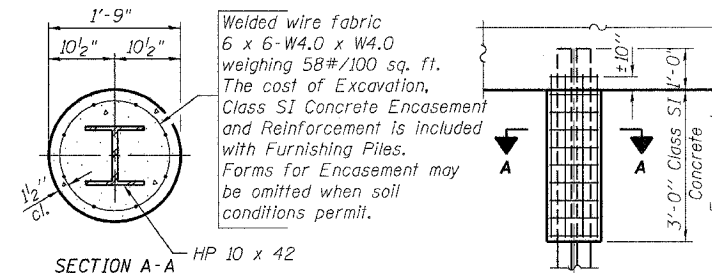
BILL OF MATERIAL

| Bar | No. | Size | Length | Shape |
|---------------------------------|-----|---------|---------|-------|
| h(E) | 10 | #5 | 19'-3" | |
| h ₁ (E) | 3 | #5 | 8'-4" | |
| h ₂ (E) | 10 | #5 | 29'-0" | |
| h ₃ (E) | 6 | #5 | 19'-7" | |
| h ₄ (E) | 3 | #5 | 8'-10" | |
| h ₅ (E) | 30 | #5 | 12'-2" | |
| h ₇ (E) | 20 | #5 | 9'-8" | |
| p(E) | 3 | #7 | 22'-6" | |
| p ₁ (E) | 3 | #7 | 20'-0" | |
| p ₂ (E) | 16 | #7 | 5'-9" | |
| p ₃ (E) | 8 | #7 | 19'-4" | |
| p ₄ (E) | 2 | #7 | 21'-3" | |
| s ₂ (E) | 106 | #4 | 3'-9" | |
| s ₃ (E) | 36 | #4 | 15'-1" | |
| s ₄ (E) | 6 | #4 | 16'-4" | |
| s ₅ (E) | 39 | #4 | 5'-8" | |
| s ₆ (E) | 41 | #5 | 6'-1" | |
| s ₇ (E) | 53 | #5 | 2'-5" | |
| u ₁ (E) | 8 | #6 | 9'-8" | |
| v ₁ (E) | 10 | #5 | 16'-10" | |
| v ₂ (E) | 10 | #5 | 14'-4" | |
| Structure Excavation | | Cu. Yd. | 183 | |
| Concrete Structures | | Cu. Yd. | 44.7 | |
| Reinforcement Bars Epoxy Coated | | Lbs. | 3790 | |
| Furnishing Steel Piles HP10x42 | | Ft. | 217 | |
| Driving Steel Piles | | Ft. | 217 | |
| Test Piles Steel HP10x42 | | Each | 1 | |
| Bar Splicers | | Each | 5 | |

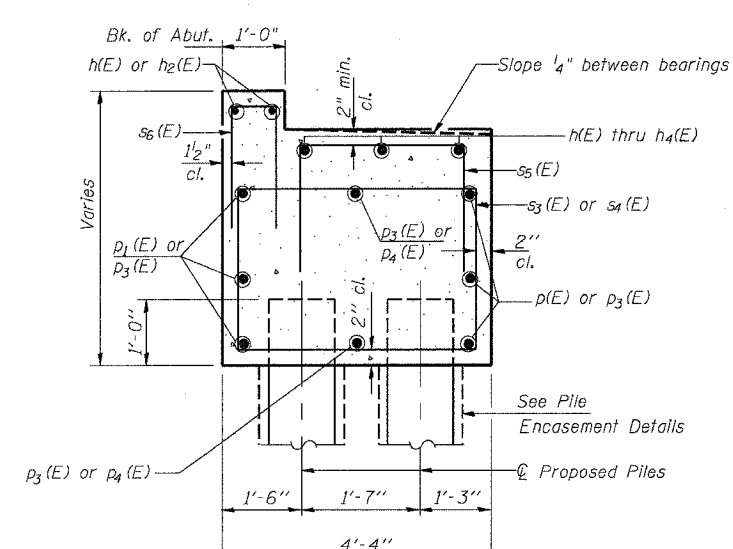
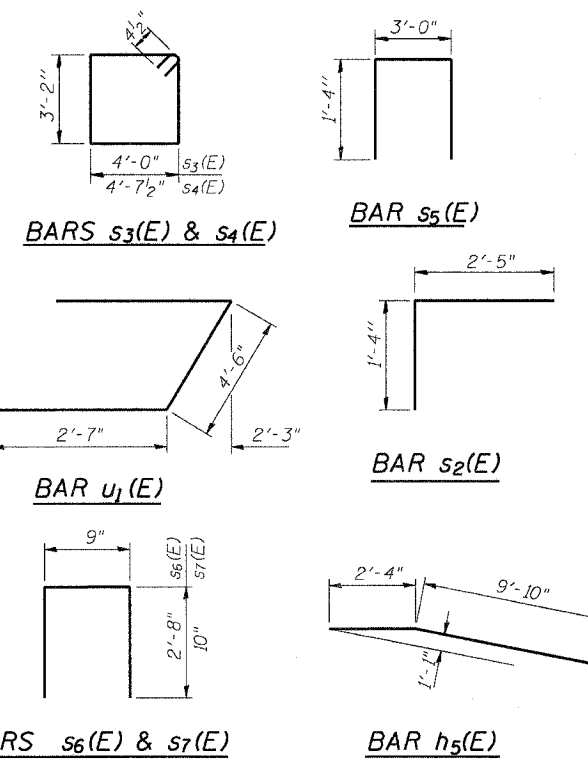
Reinforcement bars designated (E) shall be epoxy coated.



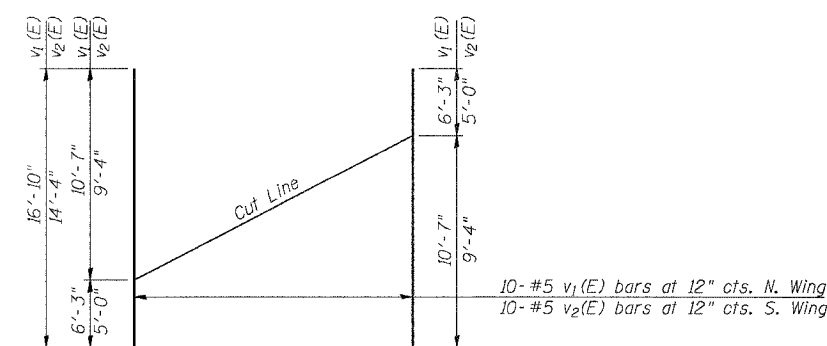
SECTION B-B



PILE ENCASEMENT DETAIL



SECTION A-A



FIELD CUTTING DIAGRAM

Order v₁(E) and v₂(E) bars full length. Cut as shown and use remainder of bars in opposite face.

Work this sheet with sheet 18 of 29.

| | | |
|--|---|----------------------|
| SHEET TITLE | | |
| WEST ABUTMENT DETAILS | | |
| PROJECT | IL RTE. 32/33 OVER LITTLE WABASH RIVER F.A.P. RTE. 774 SECTION 107BY EFFINGHAM COUNTY STATION 1011+50.17 STRUCTURE NO. 025-0078 | PROJECT NO. 02017 |
| SCALE | | DATE |
| DRAWN BY | TFG | CHECKED BY |
| DESIGNED BY | CJB/MCB | DRAWING NO. |
| COOMBE-BLOXDORF P.C. Engineers / Land Surveyors Springfield, Illinois Design Firm License No. 184-002708 | | 19 OF 29 SHTS |