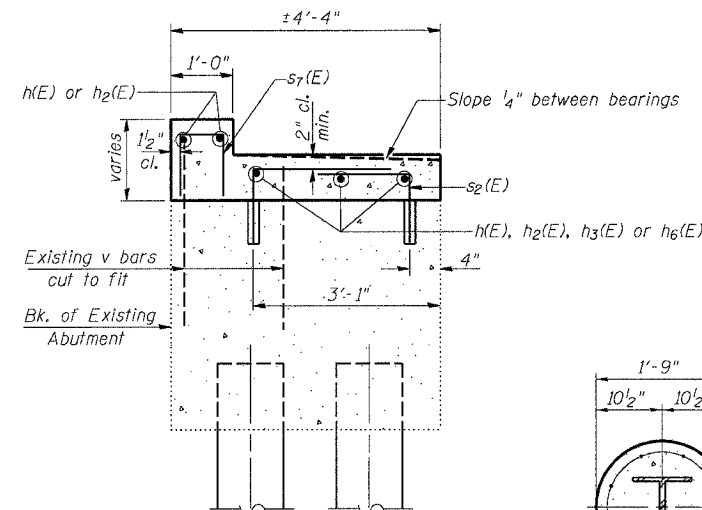


ROUTE NO.	SECTION	COUNTY	TOTAL SHEETS	SHEET NO.	SHEET NO. 22 29 SHEETS
F.A.P. RTE. 774	107BY	EFFINGHAM	344	314	
FED. ROAD DIST. NO. 7	ILLINOIS	FED. AID PROJECT			
CONTRACT NO. 94827					

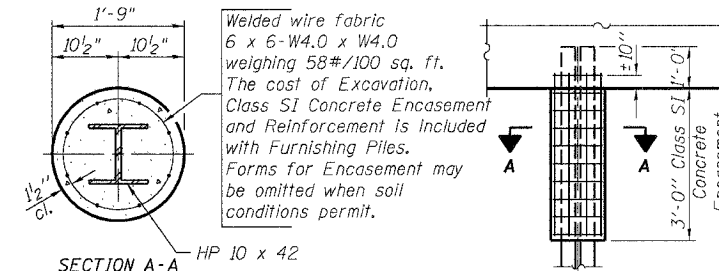
BILL OF MATERIAL

Bar	No.	Size	Length	Shape
h(E)	10	#5	19'-3"	
h ₂ (E)	10	#5	29'-0"	
h ₃ (E)	6	#5	19'-7"	
h ₄ (E)	3	#5	8'-10"	
h ₅ (E)	30	#5	12'-2"	
h ₆ (E)	3	#5	8'-9"	
h ₇ (E)	20	#5	9'-8"	
p ₁ (E)	2	#7	20'-0"	
p ₂ (E)	16	#7	5'-9"	
p ₄ (E)	3	#7	21'-3"	
p ₅ (E)	3	#7	18'-11"	
p ₆ (E)	8	#7	20'-7"	
s ₂ (E)	106	#4	3'-9"	
s ₃ (E)	36	#4	15'-1"	
s ₄ (E)	6	#4	16'-4"	
s ₅ (E)	39	#4	5'-8"	
s ₆ (E)	41	#5	6'-1"	
s ₇ (E)	53	#5	2'-5"	
u ₁ (E)	8	#6	9'-8"	
v ₁ (E)	10	#5	16'-10"	
v ₂ (E)	10	#5	14'-4"	
Structure Excavation	Cu. Yd.		183	
Concrete Structures	Cu. Yd.		46.9	
Reinforcement Bars Epoxy Coated	Lbs.		3790	
Furnishing Steel Piles HP10x42	Ft.		231	
Driving Steel Piles	Ft.		231	
Test Piles Steel HP10x42	Each		1	
Bar Splicers	Each		5	

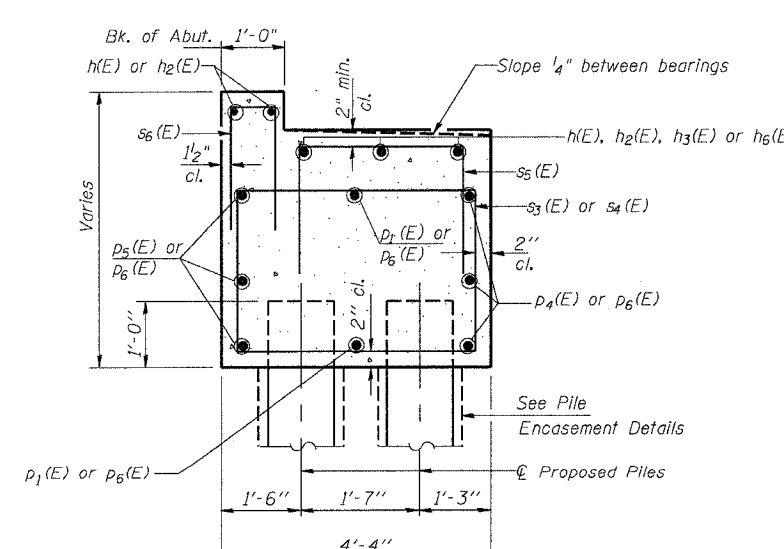
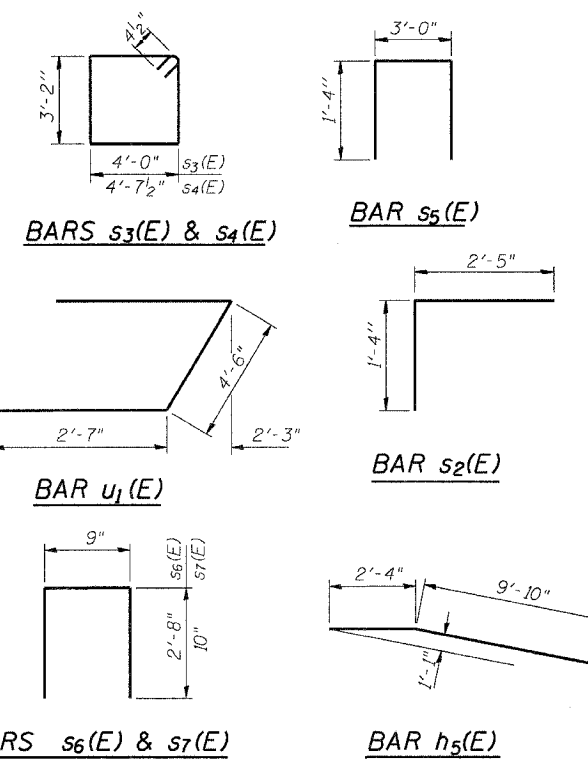
Reinforcement bars designated (E) shall be epoxy coated.



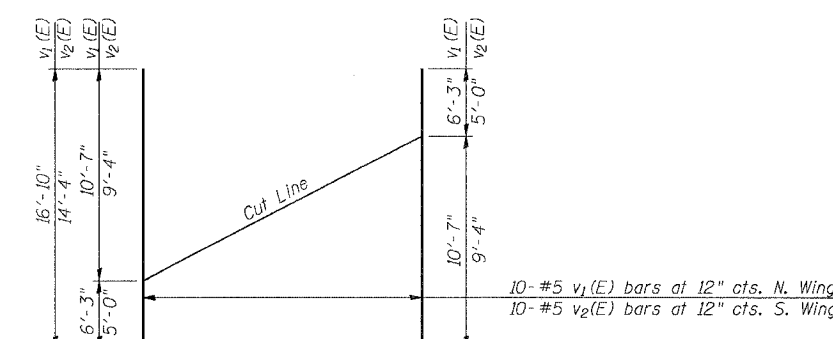
SECTION B-B



PILE ENCASEMENT DETAIL



SECTION A-A



FIELD CUTTING DIAGRAM

Order v₁(E) and v₂(E) bars full length. Cut as shown and use remainder of bars in opposite face.

Work this sheet with sheet 21 of 29.

SHEET TITLE		
EAST ABUTMENT DETAILS		
PROJECT	IL RTE. 32/33 OVER LITTLE WABASH RIVER	PROJECT NO. 02017
	F.A.P. RTE. 774 SECTION 107BY	SCALE
	EFFINGHAM COUNTY	DATE
	STATION 1011+50.17	DRAWN BY TFG
	STRUCTURE NO. 025-0078	CHECKED BY GJB/MCB
COOMBE-BLOXDORF P.C.		DRAWING NO.
Engineers / Land Surveyors		22
Springfield, Illinois		OF 29 SHTS
Design Firm License No. 184-002703		