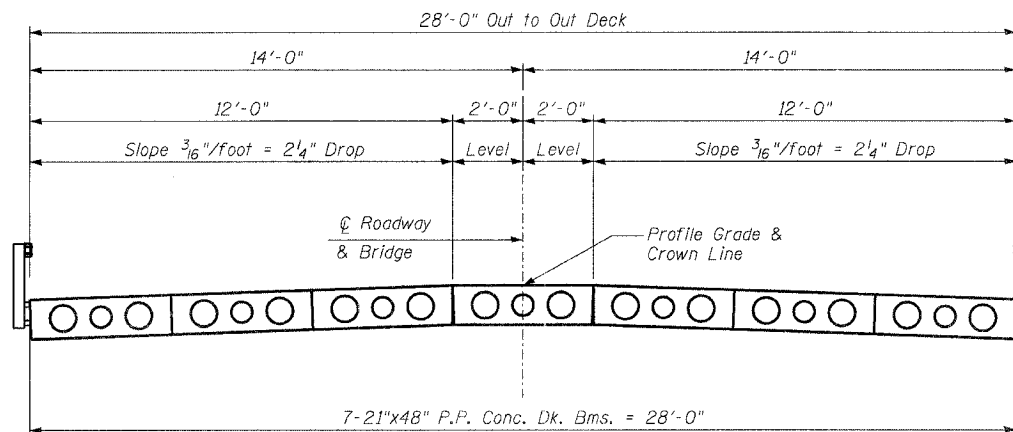


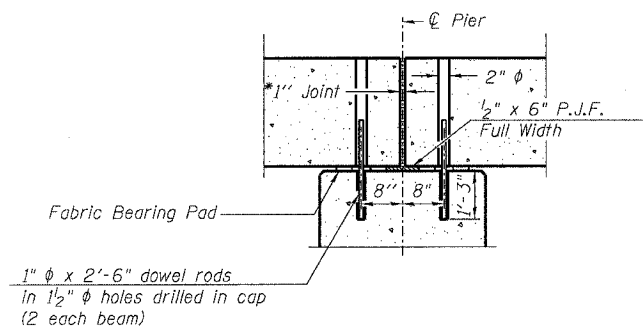
STATE OF ILLINOIS
DEPARTMENT OF TRANSPORTATION

ROUTE NO.	SECTION	COUNTY	SHEET NO.	SHEET NO.
FAP 774	107B-2	EFFINGHAM	344	324
FED. ROAD DIST. NO. 7		ILLINOIS FED. AID PROJECT-		

CONTRACT NO. 94827

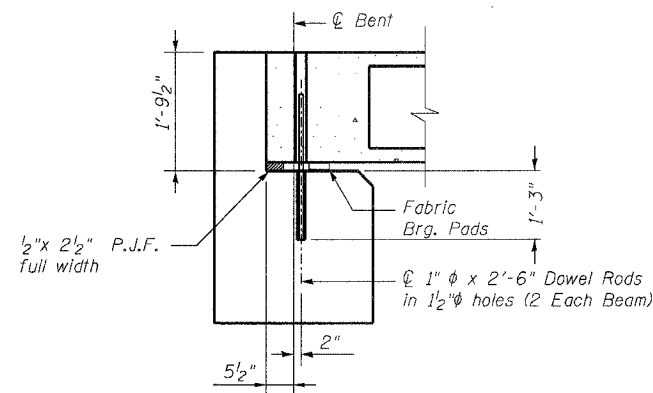


CROSS SECTION

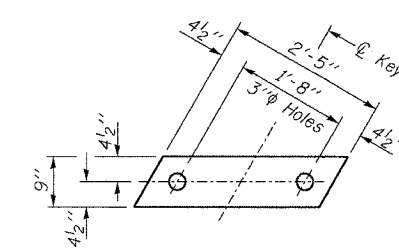
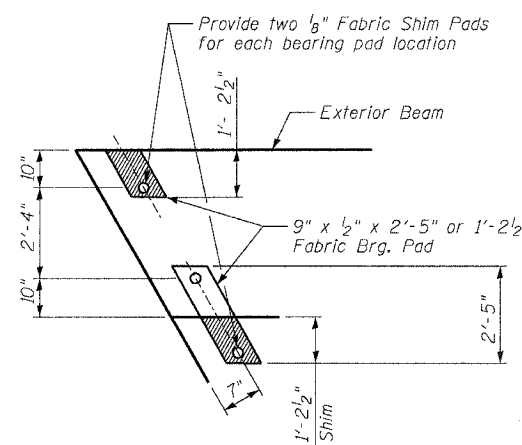


SECTION THRU PIER
(Along ϕ beams)

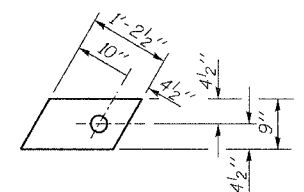
- 1" Joint shall be packed with a very dry mix of 2:1 sand and P.C. mortar. 1" Dimension may vary plus or minus to accommodate tolerance in beam lengths.



SECTION AT ABUTMENTS
(ALONG ϕ BEAMS)

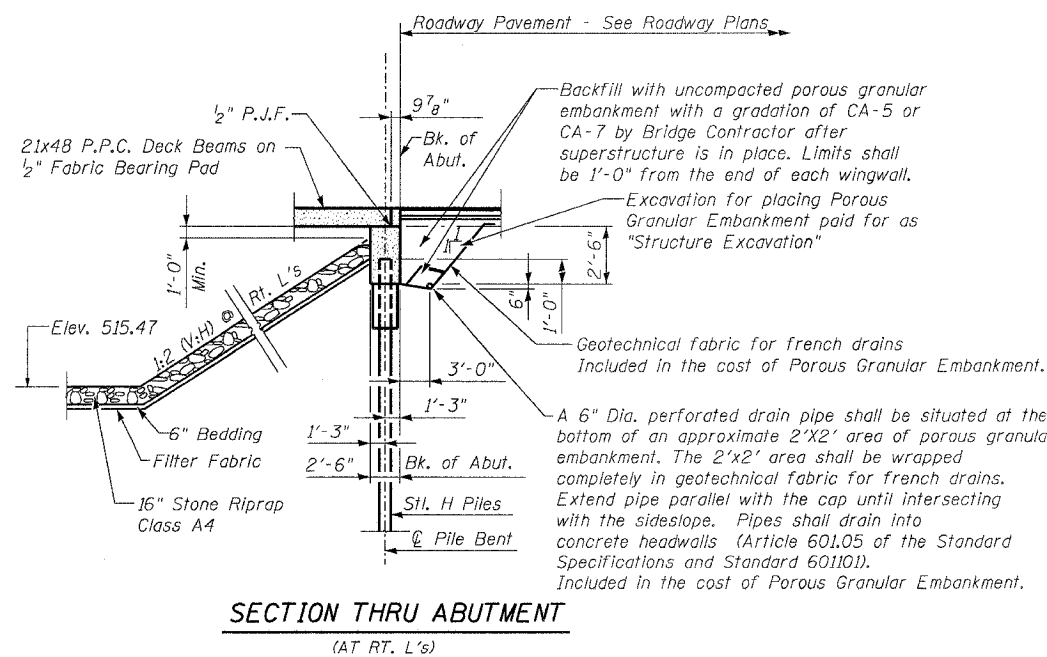


INTERIOR



EXTERIOR

1/2" FABRIC BEARING PAD DETAILS



SECTION THRU ABUTMENT
(AT RT. L's)

NOTES

- Nominal 1" joint at ϕ Pier may be filled with non-shrink grout in lieu of P.C. mortar mixture at contractor's option.
- Longitudinal keys shall be grouted.
- The bearing seat surfaces shall be adjusted by shimming to assure firm and even bearing. Two 1/8" fabric adjusting shims of the dimensions of the Exterior Bearing Pad shall be provided for each bearing.

P.P.C. DECK BEAM SUPERSTRUCTURE
DETAILS
1200th STREET OVER GREEN CREEK
FAP RTE. 774, SECTION 107B-2
EFFINGHAM COUNTY
STATION 204+33.91
S.N. 025-3309

DESIGNED	TMM
CHECKED	KCM
DRAWN	CAR
CHECKED	TMM