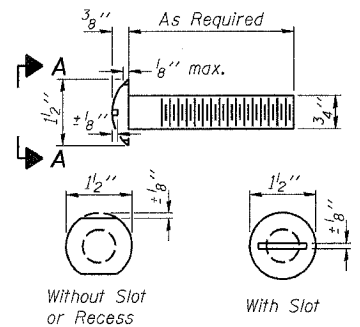


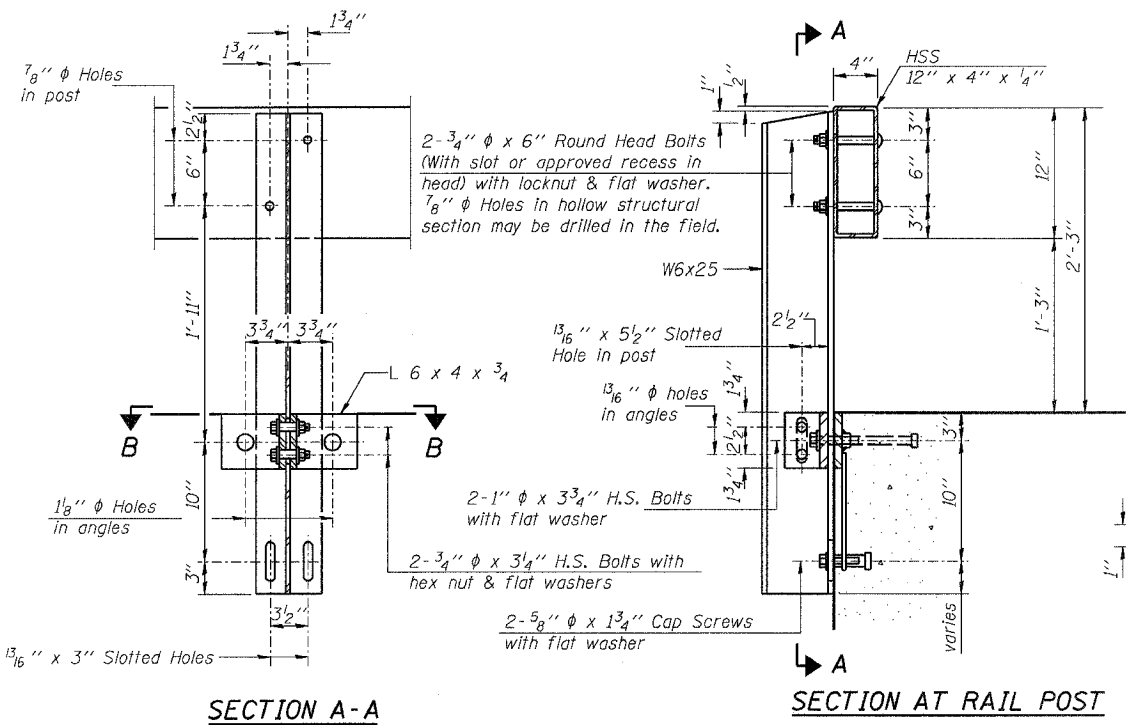
STATE OF ILLINOIS  
DEPARTMENT OF TRANSPORTATION

ROUTE NO.	SECTION	COUNTY	SHEET	SHEET NO.
FAP 774	107B-2	EFFINGHAM	344	328
FED. ROAD DIST. NO. 7		ILLINOIS FED. AID PROJECT-		8 SHEETS

CONTRACT NO. 94827

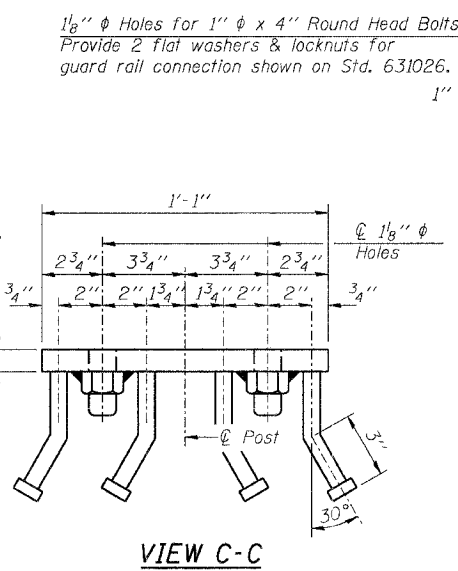


VIEW A-A  
ROUND HEAD BOLT

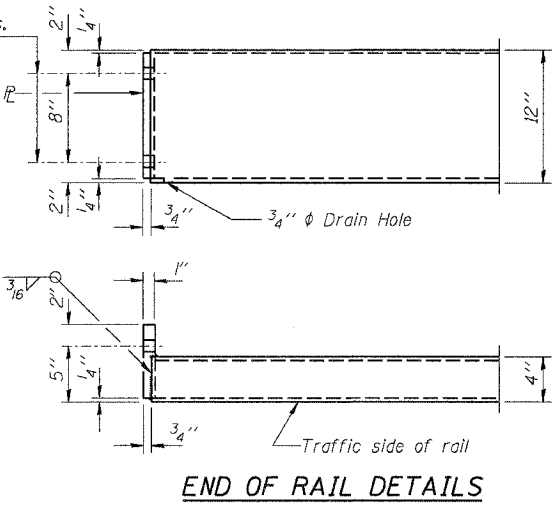


SECTION A-A

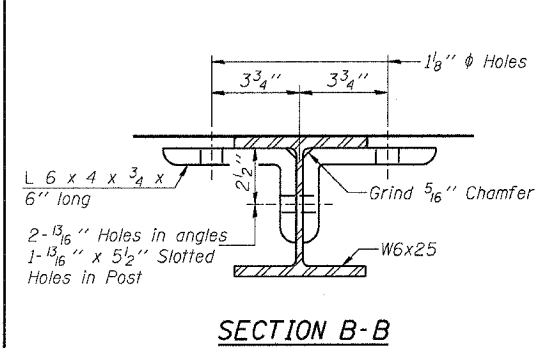
SECTION AT RAIL POST



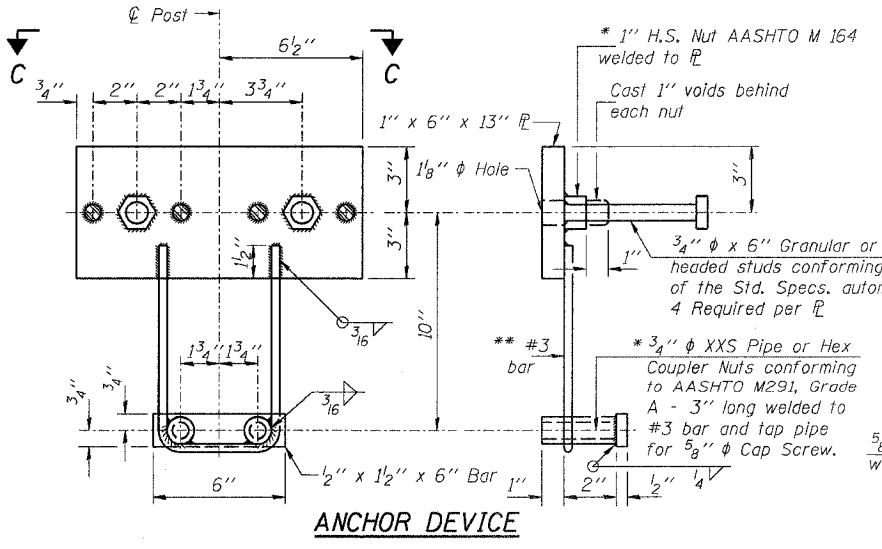
VIEW C-C



END OF RAIL DETAILS

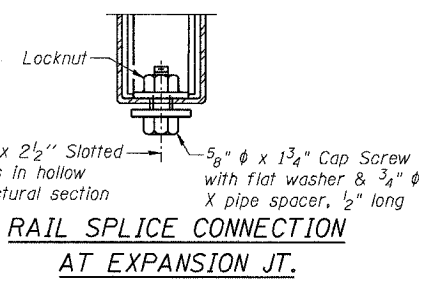


SECTION B-B

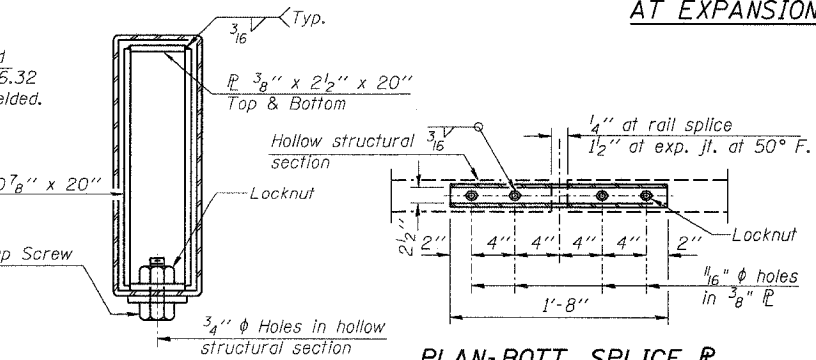


ANCHOR DEVICE

Whenever the lower insert assemblies interfere with strand locations, the #3 bars shall be cut and adjusted in order to allow raising or lowering of the lower inserts. Maximum adjustment not to exceed 1/2 inch.



RAIL SPLICE CONNECTION  
AT EXPANSION JT.



SECTIONS AT RAIL SPLICE

PLAN-BOTT. SPLICE TYPICAL

NOTES

Hollow structural sections shall conform to the requirements of ASTM designation A 500 Grade B Structural Steel Tubing and shall meet the longitudinal CVN requirements of 15 ft-lbs at 0° F.  
All other steel shapes and plates shall conform to the requirements of AASHTO M 270 Grade 36 except posts and angles shall conform to AASHTO M 270, Grade 50.  
Bolts, cap screws, and nuts shall conform to the requirements of ASTM designation A 307 except for high strength bolts, nuts and washers noted which shall conform to AASHTO M 164.  
All bolts, nuts, cap screws, washers and lock washers shall be galvanized according to AASHTO M 232.  
All posts, railing, rail splices, anchor devices and angles shall be galvanized after shop fabrication according to AASHTO M 111 and ASTM A 385. Galvanized rail shall not be painted.  
Railing shall be according to Section 509 of the Standard Specifications, except as noted, and will be paid for at the contract unit price per foot for STEEL RAILING, TYPE S-1.  
All field drilled holes shall be coated with an approved zinc rich paint before erection.  
The lower portion of the post flange in contact with concrete shall receive two coats of asphalt paint conforming to Section 1060.07 Type II or place 1/2 inch fabric bearing pad between the post and concrete.  
The 3/4 inch high strength bolts used to connect the 6 x 4 x 3/4 angles to the post shall be tightened according to Article 505.04(FX2) of the Standard Specifications. The 1 inch high strength bolts connecting the angles to the concrete shall be tightened to a snug fit and given an additional 1/2 turn. The 5/8 inch cap screws in bottom of posts shall be tightened to a snug fit only.  
For multi-span bridges, sufficient 1/4 x 6 x 1-2 inch galvanized steel shims shall be provided to align rail between adjacent spans. Cost included with STEEL RAILING, TYPE S-1.

BILL OF MATERIAL

Item	Unit	Quantity
Steel Railing Type S-1	Foot	222

TYPE S-1 STEEL RAILING  
1200th STREET OVER GREEN CREEK  
FAP RTE. 774, SECTION 107B-2  
EFFINGHAM COUNTY  
STATION 204+33.91  
S.N. 025-3309

DESIGNED	TMM
CHECKED	KCM
DRAWN	CAR
CHECKED	TMM

R-23A 10-31-02 (10'-9" Maximum Post Spacing)