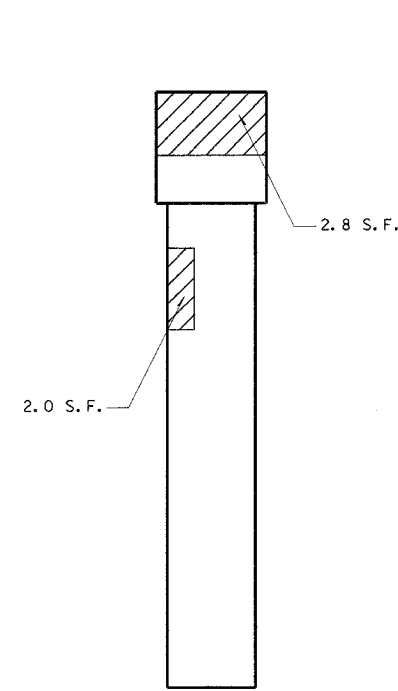


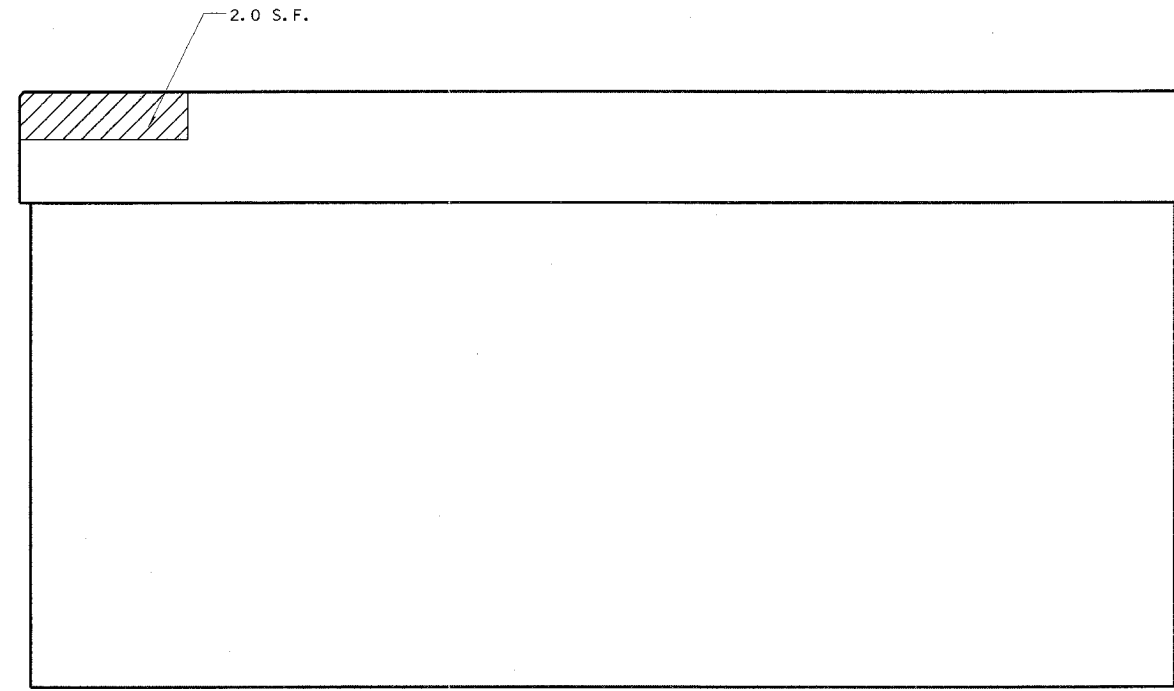
teesleyck
 12/17/2004
 c:\projects\94941d\00902pa.dgn
FCR 4

FAP NO.	SECTION	COUNTY	TOTAL SHEETS	SHEET NO.
752	(106-2Z)TS	FAYETTE		20
FED. ROAD DIST. NO. 7		ILLINOIS	FED. AID PROJECT NO.	

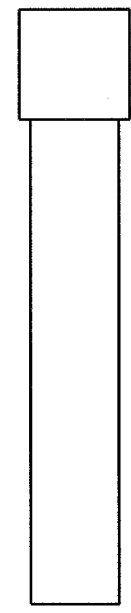
CONTRACT NO. 94941



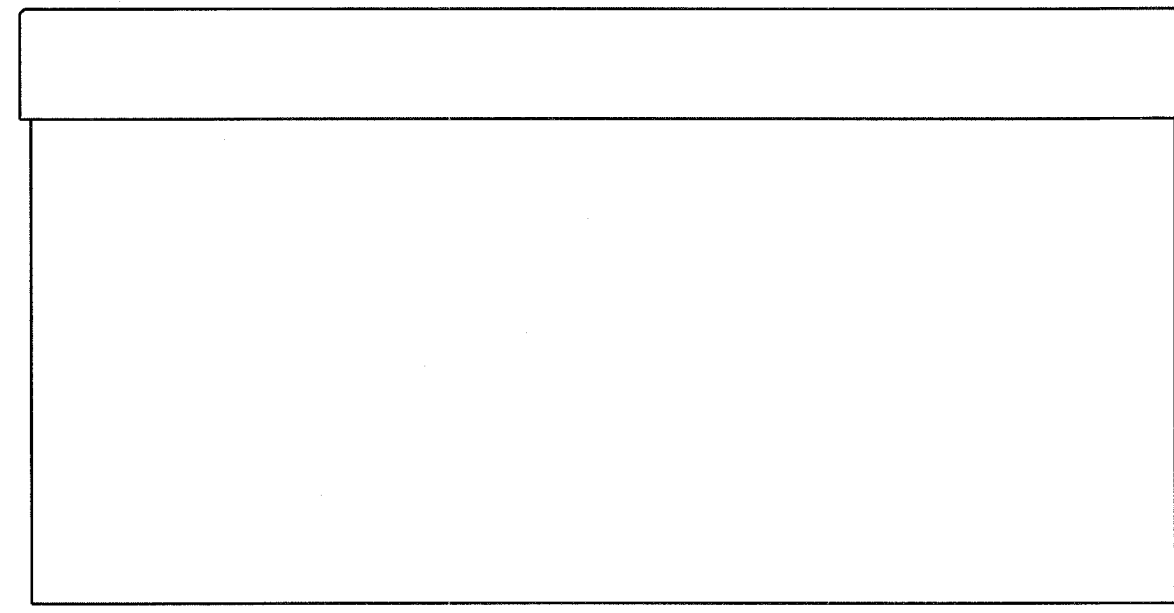
SOUTH VIEW



EAST VIEW



NORTH VIEW



WEST VIEW

 FORMED CONCRETE REPAIR (DEPTH = < 5")

REVISIONS	
NAME	DATE

ILLINOIS DEPARTMENT OF TRANSPORTATION
FORMED CONCRETE REPAIR
BENT #3
 SCALE: VERT.
 DATE: HORIZ.
 DRAWN BY
 CHECKED BY