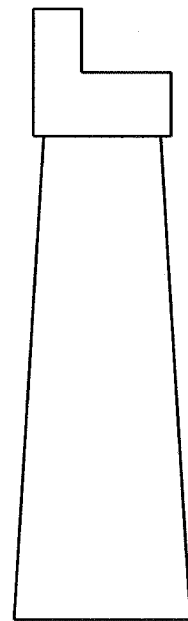


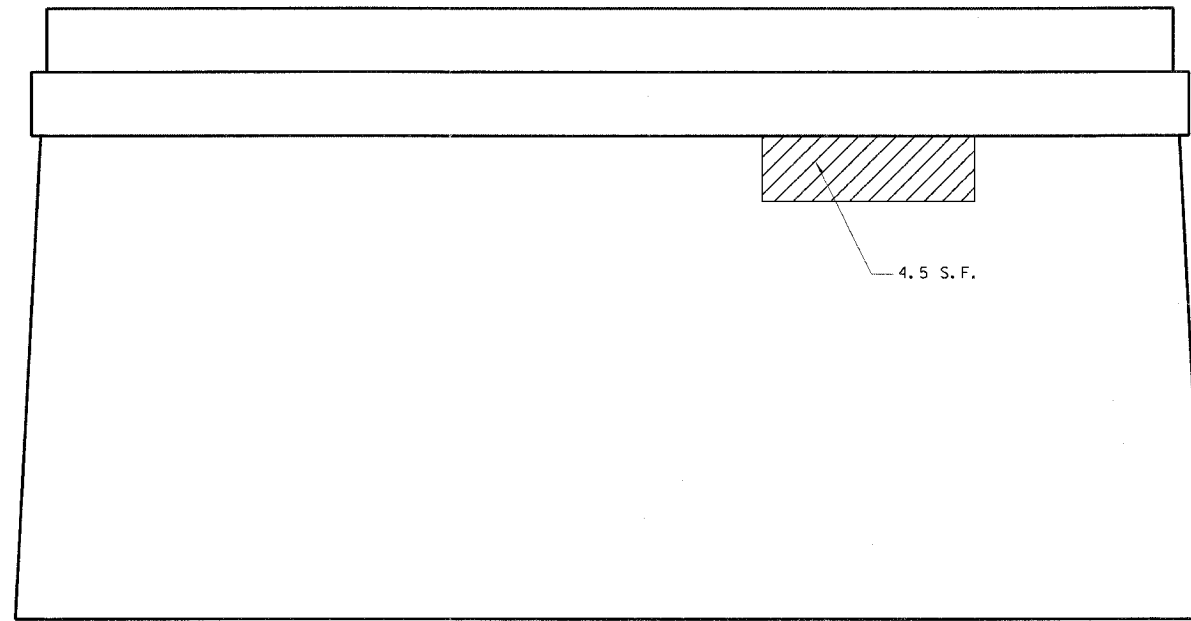
teasleyck
 12/17/2004
 c:\projects\94941cd\00902pa.dgn
FCR 2

FAP NO.	SECTION	COUNTY	TOTAL SHEETS	SHEET NO.
752	(106-2Z)TS	FAYETTE		24
FED. ROAD DIST. NO. 7	ILLINOIS	FED. AID PROJECT NO.		

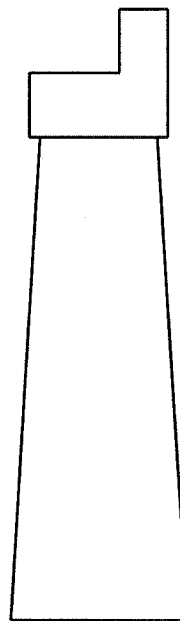
CONTRACT NO. 94941



SOUTH VIEW

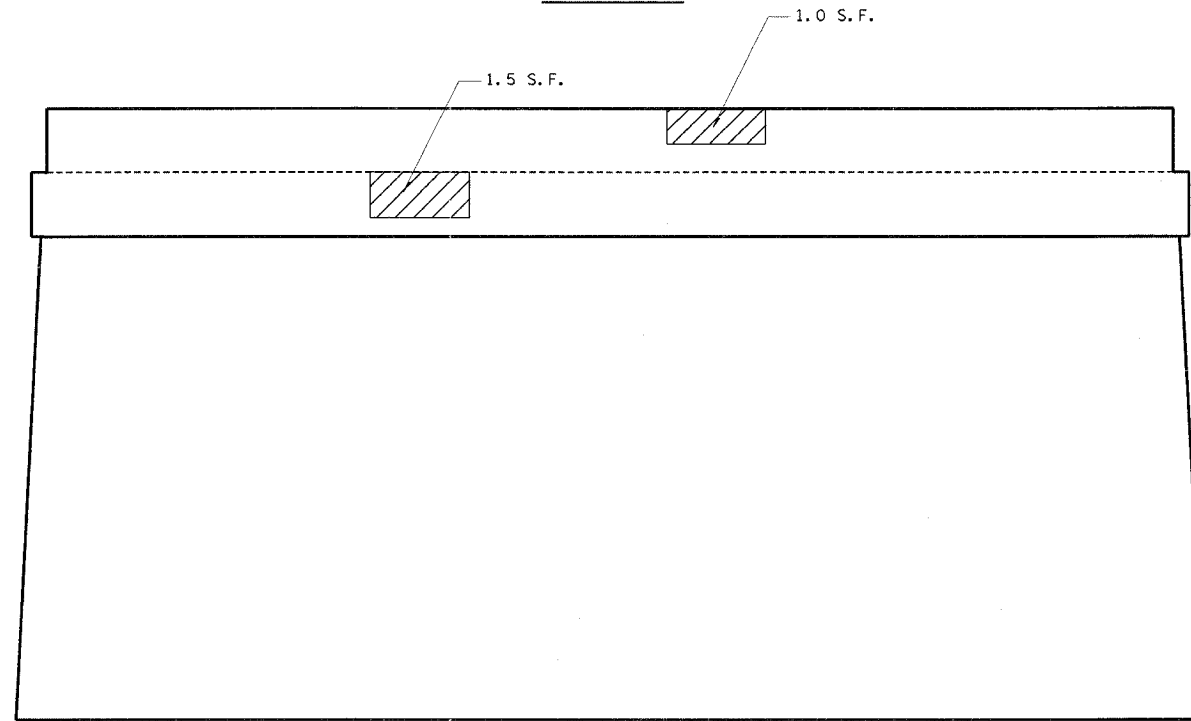


 FORMED CONCRETE REPAIR (DEPTH = <5")



NORTH VIEW

EAST VIEW



WEST VIEW

REVISIONS	
NAME	DATE

ILLINOIS DEPARTMENT OF TRANSPORTATION
FORMED CONCRETE REPAIR
PIER #10
 SCALE: VERT. _____
 HORIZ. _____
 DATE _____
 DRAWN BY _____
 CHECKED BY _____