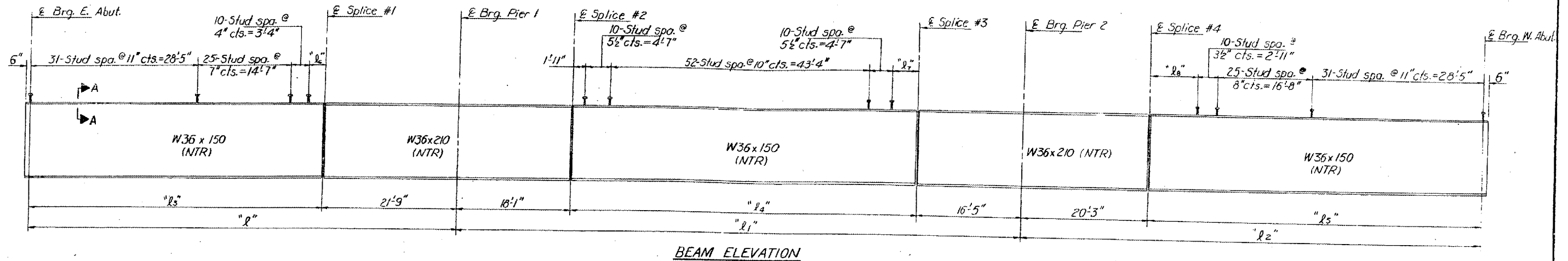


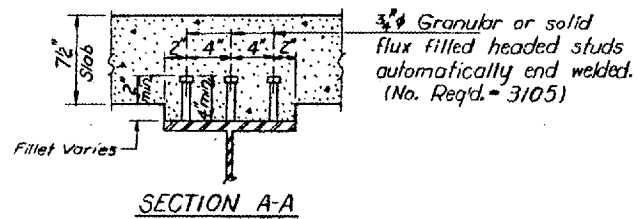
STATE OF ILLINOIS
 DEPARTMENT OF TRANSPORTATION

SHEET NO.: 15 OF 37

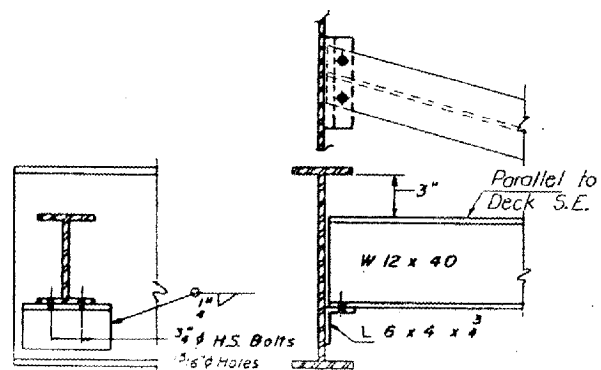
DATE	BY	CHECKED	DATE	BY
7/10/94	J.R.K.	J.R.K.	7/10/94	J.R.K.
DESIGNED		CHECKED		DATE
RICK BRUNETTE		JIM KAHOUT		7/10/94
DRAWN		APPROVED		DATE
R. Doty		JAMES T. RAYBURN		7/10/94
CHECKED		PROJECT NO.		DATE
JK		039-0056		7/10/94



BEAM ELEVATION



NOTES:
 For Table of "L" Dimensions see sheet #9.
 NTR denotes Notch Toughness Requirements. See sheet #1.



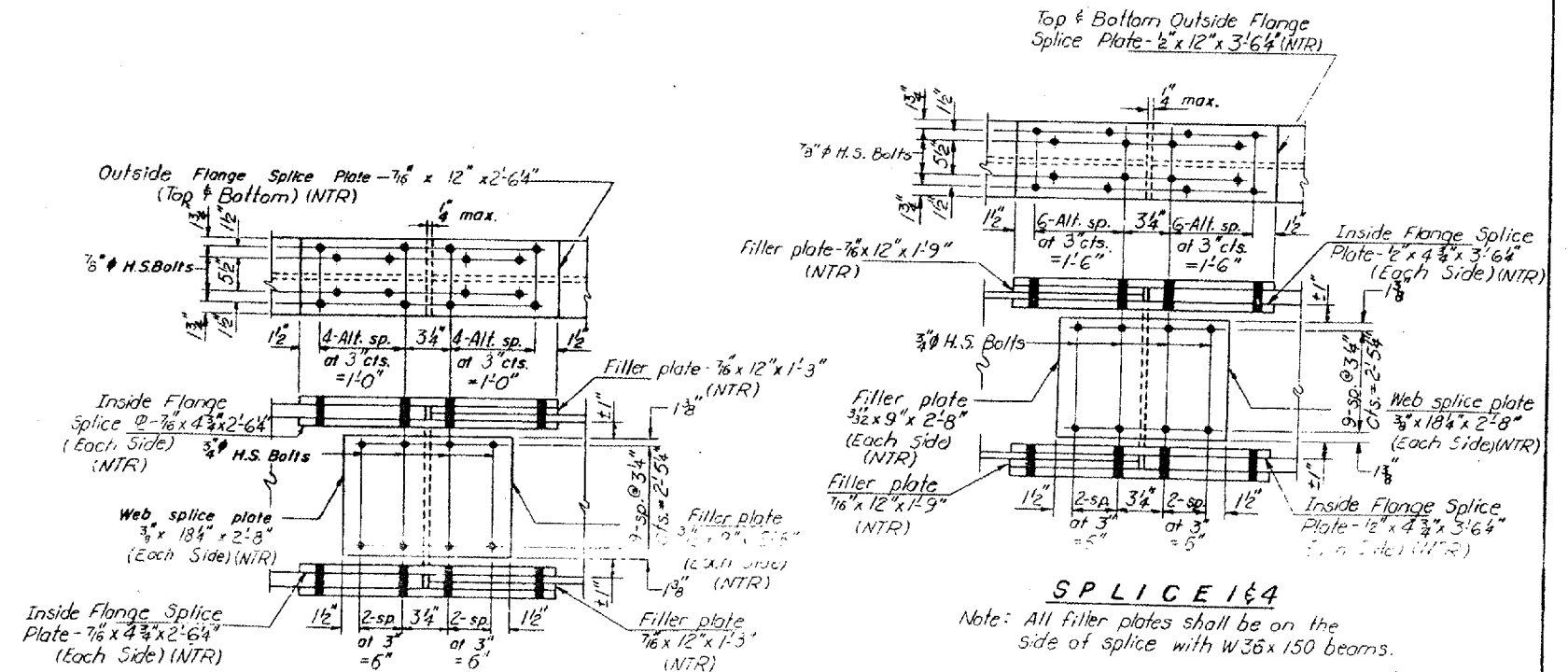
DIAPHRAGM D

8-Required

Note: Two hardened washers shall be required over all 3/8" holes.

DESIGNED	Rick Brunette
CHECKED	Jim Kahout
DRAWN	R. Doty
CHECKED	JK

EXAMINED	James T. Rayburn
PASSED	
APPROVED	



SPLICE 2&3

Note: All filler plates shall be on the side of splice with W36x150 beams.

FOR INFORMATION ONLY:

BRIDGE NO. 3 STRUCTURE 039-0056

STRUCTURAL STEEL
 F.A.P. RT. 107 SEC. 101BS-1
 JACKSON COUNTY
 STA. 320+00.00