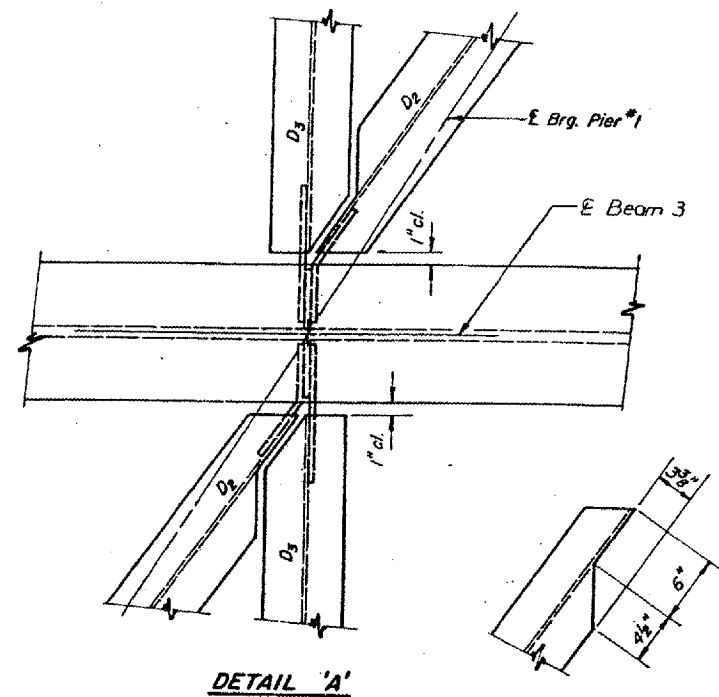
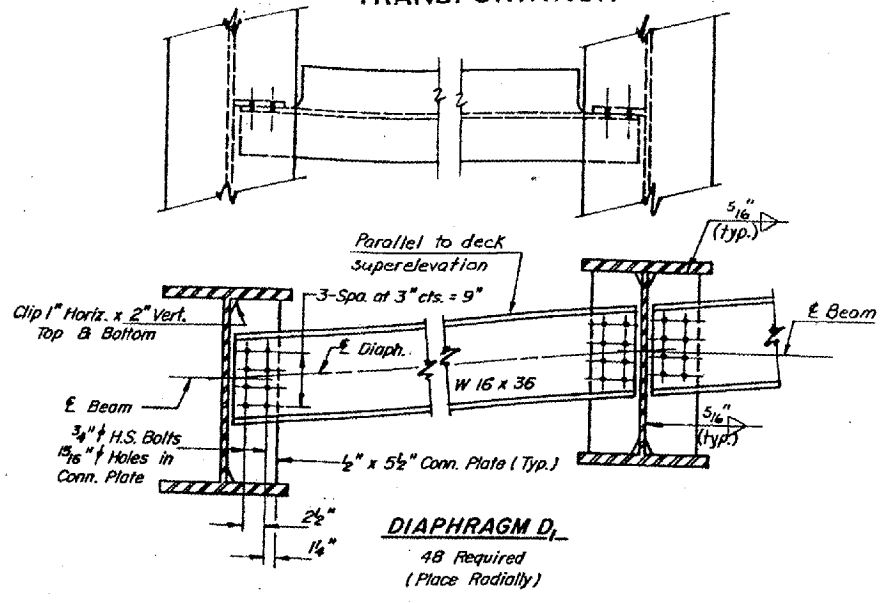


SHEET NO.:		16	OF	37
PROJECT:		107	SECTION:	101
DATE:		10/1	BY:	59
DRAWN BY:		JACKSON	NO. OF SHEETS:	17

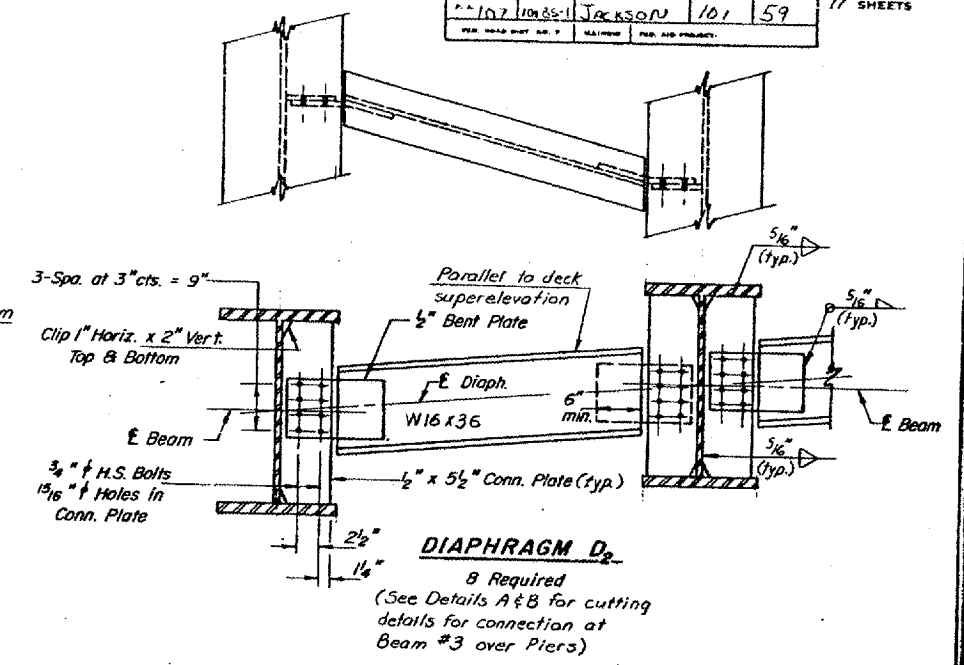
STATE OF ILLINOIS
 DEPARTMENT OF TRANSPORTATION



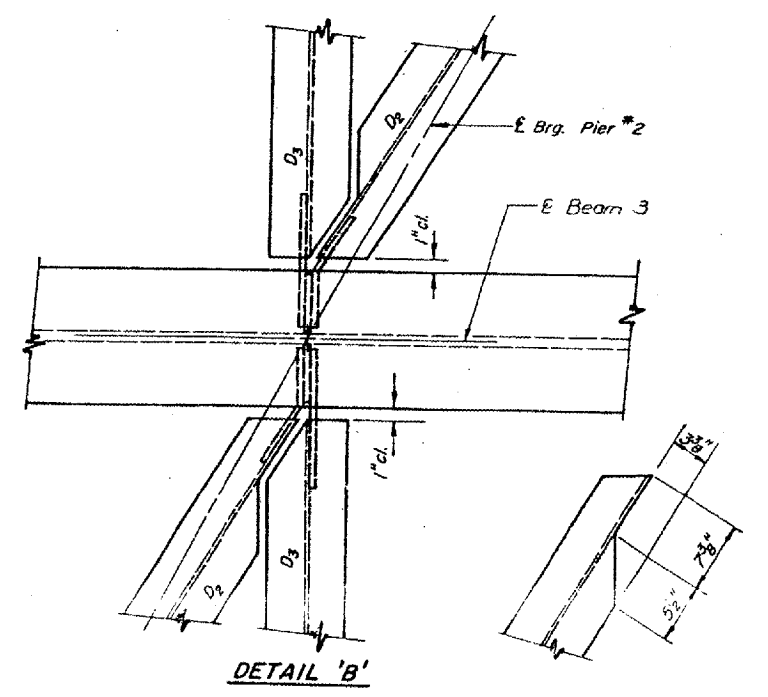
DETAIL 'A'



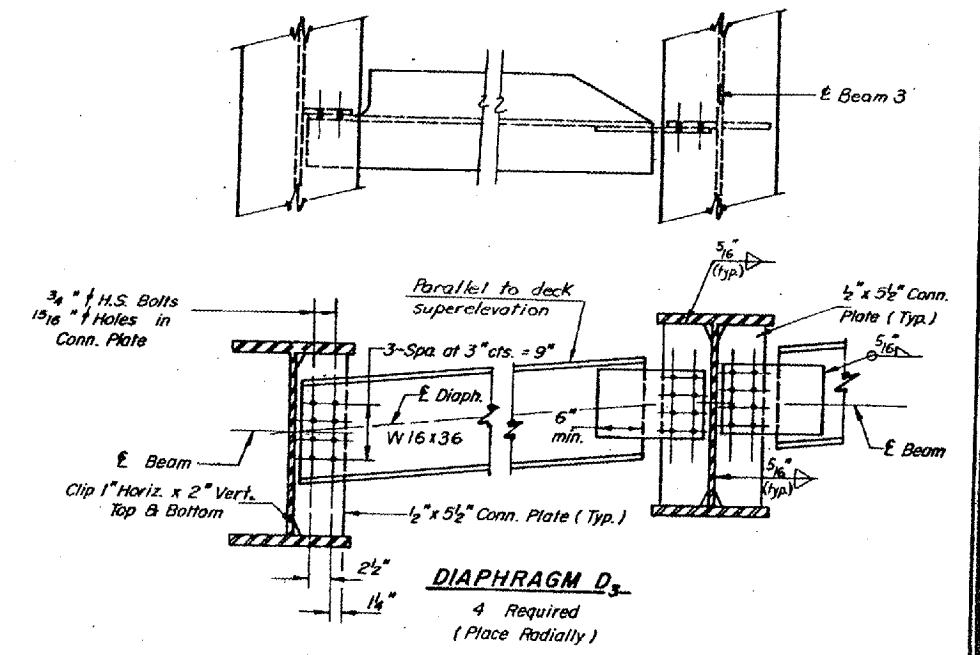
DIAPHRAGM D₁
 48 Required
 (Place Radially)



DIAPHRAGM D₂
 8 Required
 (See Details A & B for cutting details for connection at Beam #3 over Piers)



DETAIL 'B'



DIAPHRAGM D₃
 4 Required
 (Place Radially)

TABLE OF "X" AND "Y" DIMENSIONS

Beam No.	East Abut.		Pier 1		Pier 2		West Abut.	
	"X"	"Y"	"X"	"Y"	"X"	"Y"	"X"	"Y"
1	2'-4"	4'-0 3/8"	3 1/2"	6"	6 5/8"	11 1/2"	3'-0 6/8"	5'-2 5/8"
2	2'-6 3/8"	4'-5 1/4"	4 3/8"	7 5/8"	5 5/8"	9 5/8"	2'-9 3/8"	4'-10 1/2"
3	2'-9 5/8"	4'-10 3/8"	5 1/2"	9 1/2"	4 3/8"	8"	2'-7 1/2"	4'-6 1/2"
4	3'-0 3/8"	5'-3 3/8"	6 5/8"	11 1/2"	3 3/8"	6 3/8"	2'-5 1/4"	4'-2 5/8"
5	3'-3 3/8"	5'-9 1/8"	7 7/8"	13 3/4"	2 7/8"	5"	2'-3"	3'-10 1/8"

FOR INFORMATION ONLY:
 BRIDGE NO. 3 STRUCTURE 039-0056

STRUCTURAL STEEL DETAILS
 F.A.P. Rte. 107 SECTION 101BS-1
 JACKSON COUNTY
 Sta. 320+00.00

DESIGNED Rick Brunette
 CHECKED Jim Kohout
 DRAWN DWS
 CHECKED JK

EXAMINED July 10, 1984
 James J. Rayburn
 APPROVED
 DIRECTOR OF HIGHWAYS