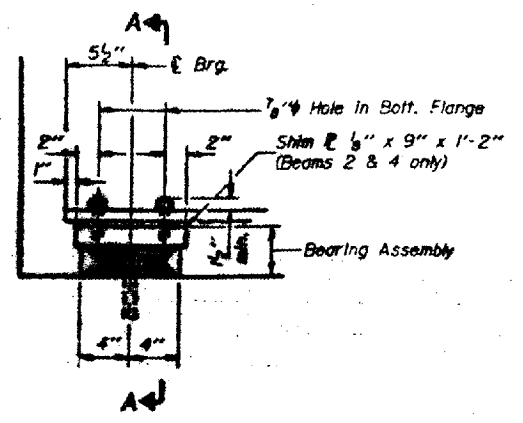
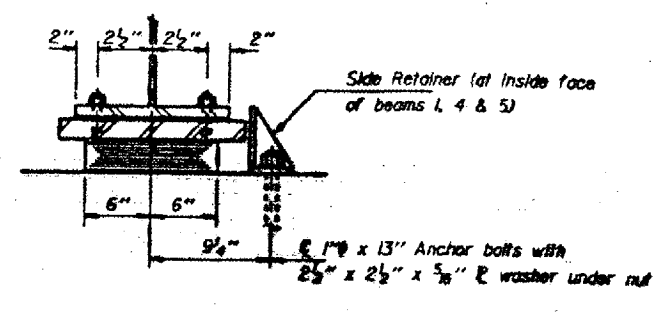


NO.	DATE	REVISION	BY	CHKD.

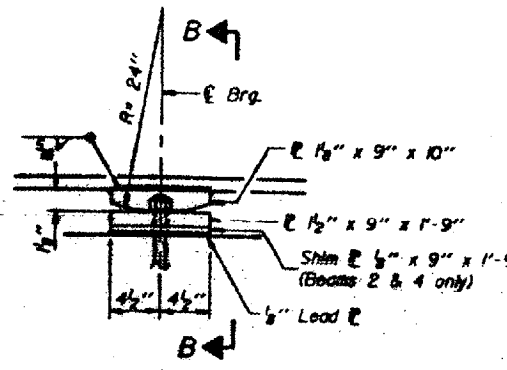
STATE OF ILLINOIS
 DEPARTMENT OF TRANSPORTATION



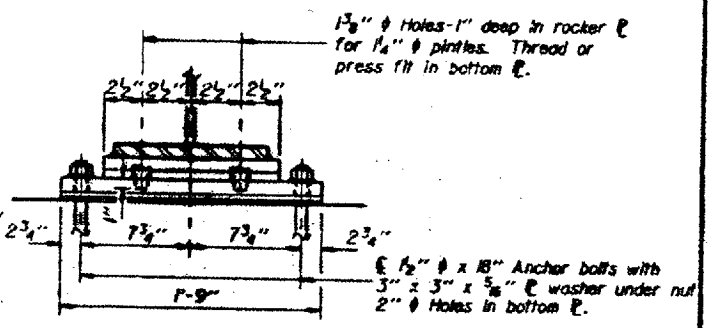
ELEVATION AT ABUTS.



SECTION A-A

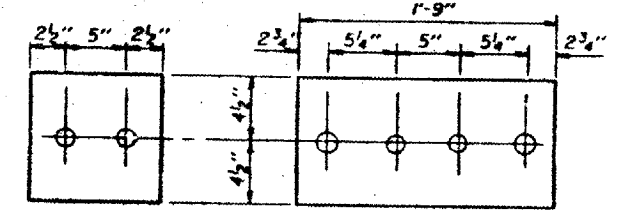


ELEVATION AT PIERS 2, 5, 8 & 9
 (Fixed Bearings)

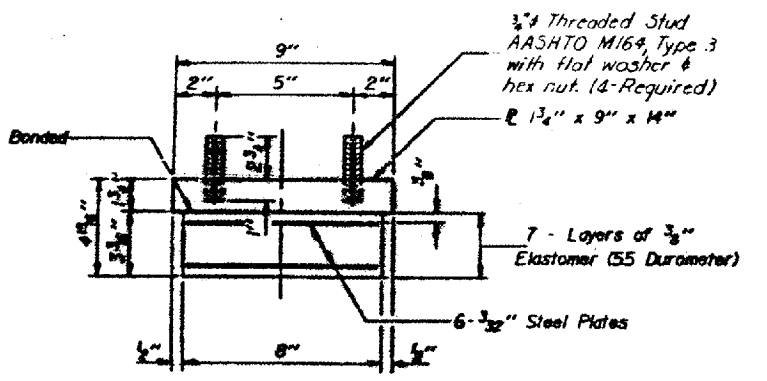


SECTION B-B

FIXED BEARING



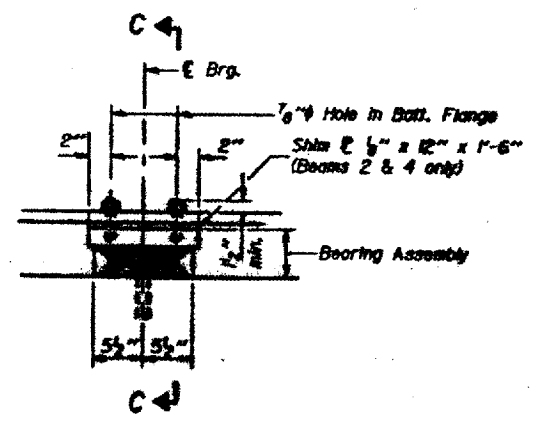
TYPE I ELASTOMERIC EXP. BRG.



BEARING ASSEMBLY

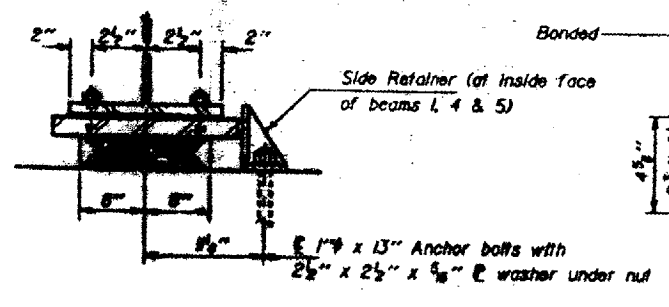
(E. Abut., Pier 4-East & West Brg., Pier 7-East & West Brg., W. Abut.)
 Note: Shim plates shall not be placed under Bearing Assembly.

Note: Anchor bolts at fixed bearings may be built into the masonry. After beams have been erected holes of expansion bearings shall be drilled and anchor bolts grouted in place. See sheet #20 for Anchor Bolt Installation details.

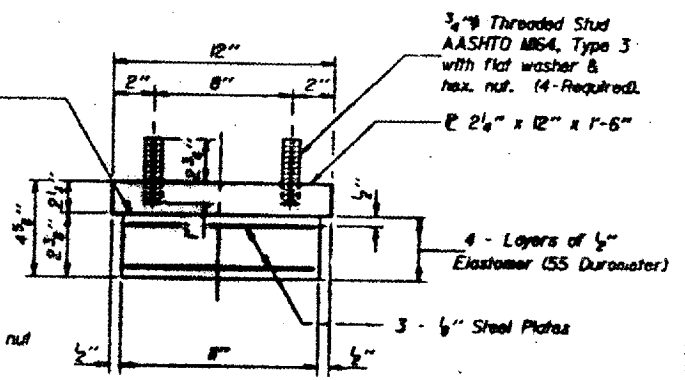


ELEVATION AT PIERS 1, 3, 6 & 10

TYPE I ELASTOMERIC EXP. BRG.



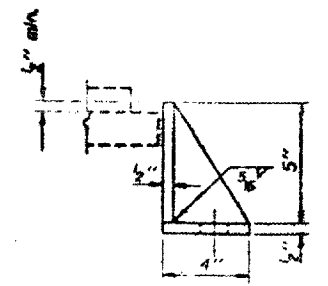
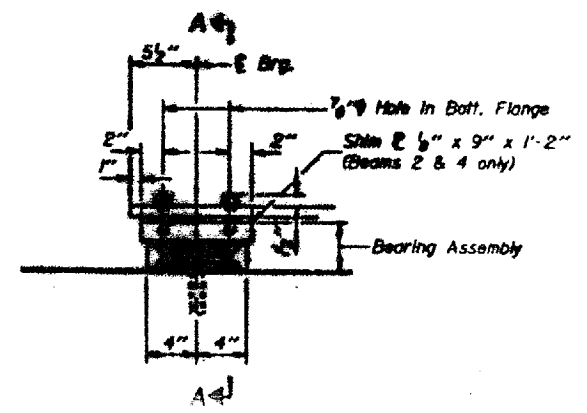
SECTION C-C



BEARING ASSEMBLY

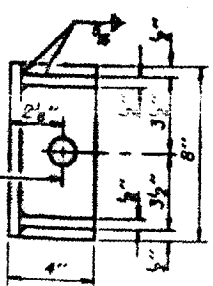
(Piers 1, 3, 6 & 10)
 Note: Shim plates shall not be placed under Bearing Assembly.

ELEVATION AT PIERS 4 & 7



SIDE RETAINER

Equivalent rolled angle with stiffeners will be allowed in lieu of welded plates.



PINTLE

BILL OF MATERIAL

Item	Unit	Qty
Elastomeric Bearing Assembly, Type I	Each	50

FOR INFORMATION ONLY:

BRIDGE NO. 4 STRUCTURE 073-0023

BEARING DETAILS
 F.A. RTE. 865 SEC. 104BC-BR
 PERRY COUNTY
 STA. 9J4+29.00

DESIGNED: <i>Mark K. Hartman</i>	DATE: <i>May 8, 1983</i>
CHECKED: <i>James P. ...</i>	PROJECT: <i>A.A.H.</i>
DRAWN: <i>Marcado</i>	SCALE: <i>R.D.</i>
CHECKED: <i>...</i>	APPROVED: <i>James T. ...</i>