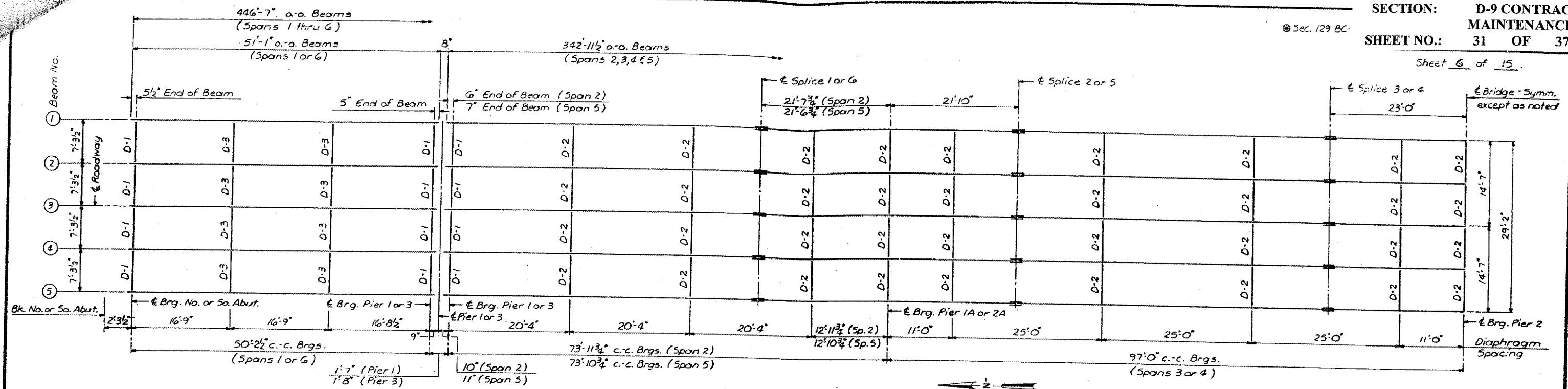
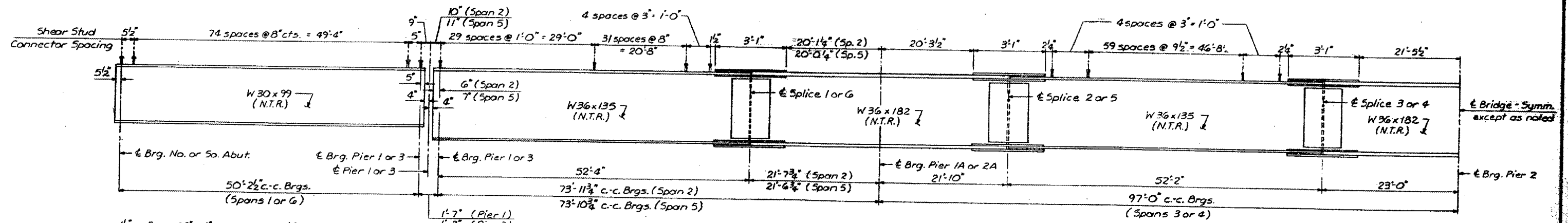


Sec. 129 BC

Sheet 6 of 15

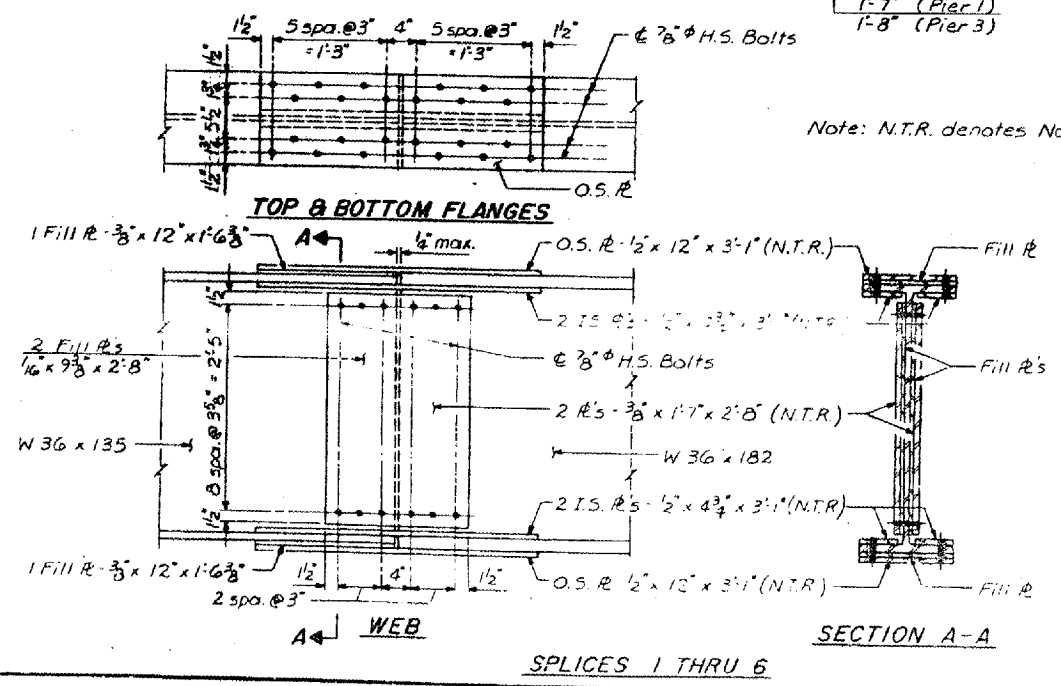


HALF FRAMING PLAN



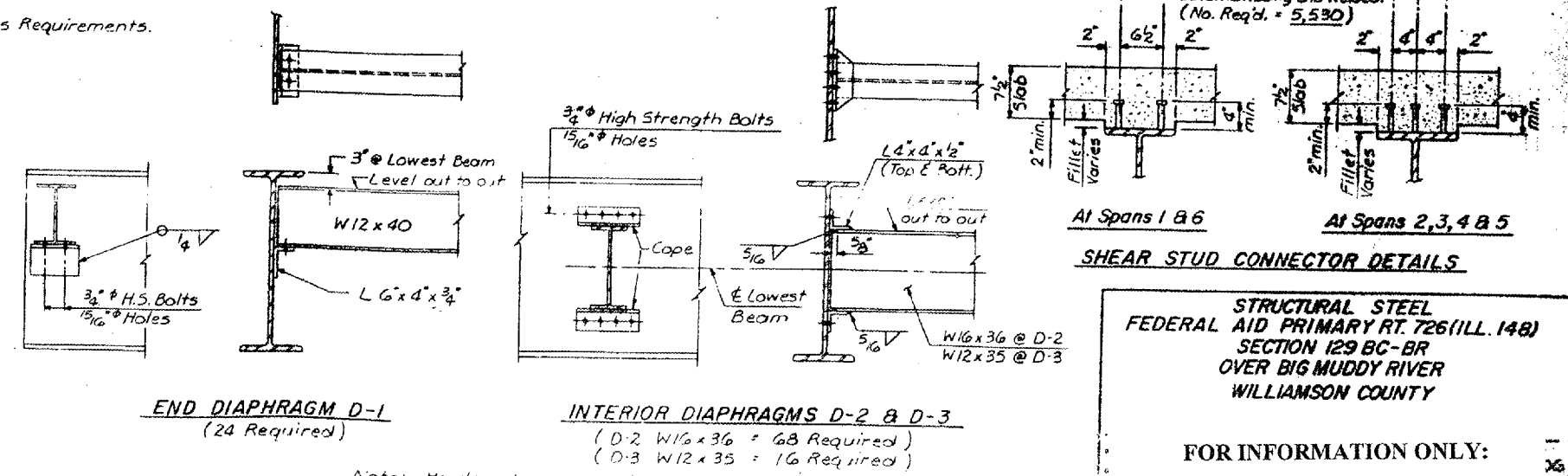
HALF ELEVATION

Note: N.T.R. denotes Notch Toughness Requirements.



SECTION A-A

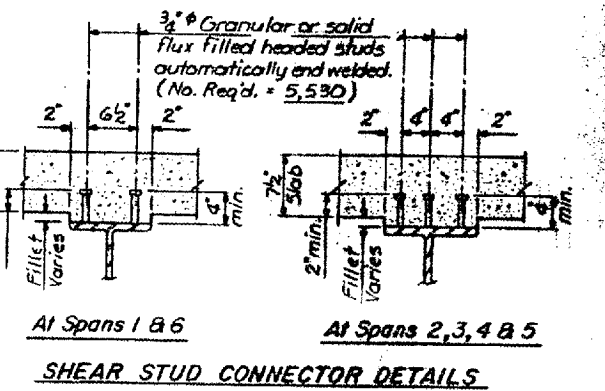
SPLICES 1 THRU 6



END DIAPHRAGM D-1  
(24 Required)

INTERIOR DIAPHRAGMS D-2 & D-3  
(D-2 W16 x 36 = 68 Required)  
(D-3 W12 x 35 = 16 Required)

Note: Hardened washers shall be required over 1 1/2\"/>



At Spans 1 & 6  
 At Spans 2, 3, 4 & 5  
 SHEAR STUD CONNECTOR DETAILS

STRUCTURAL STEEL  
 FEDERAL AID PRIMARY RT. 726 (ILL. 148)  
 SECTION 129 BC-BR  
 OVER BIG MUDDY RIVER  
 WILLIAMSON COUNTY

FOR INFORMATION ONLY:

BRIDGE NO. 6 STRUCTURE 100-0032