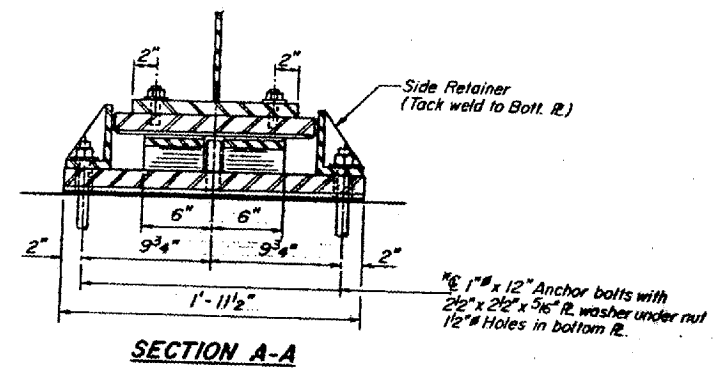
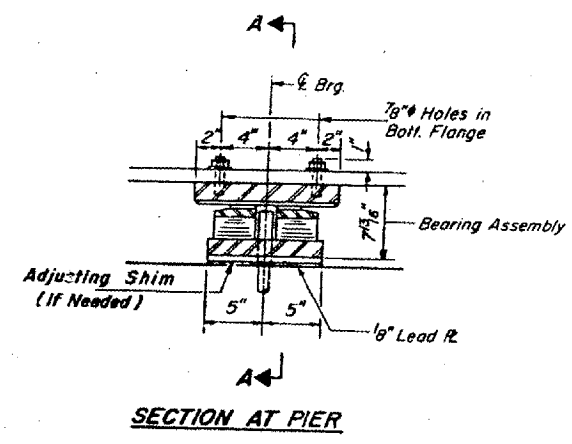
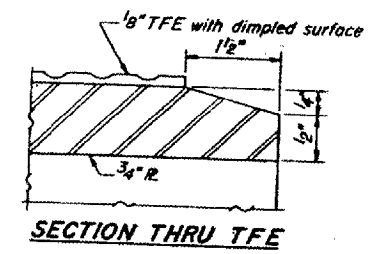
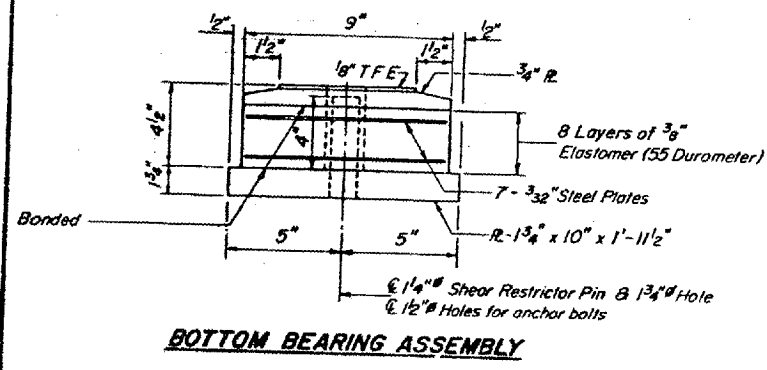
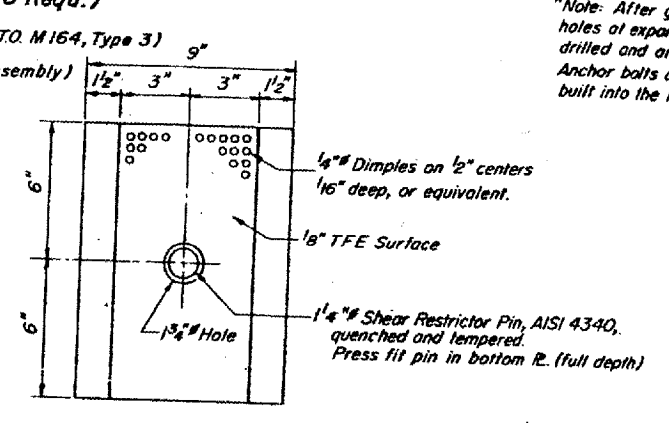
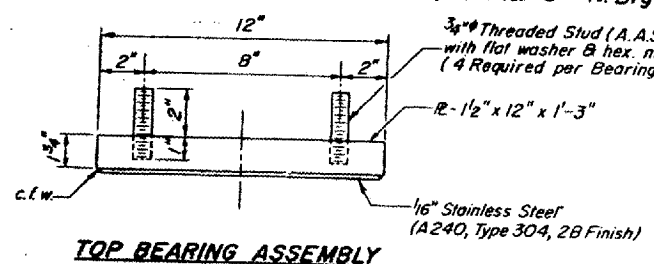


Sec. 129 BC-BR

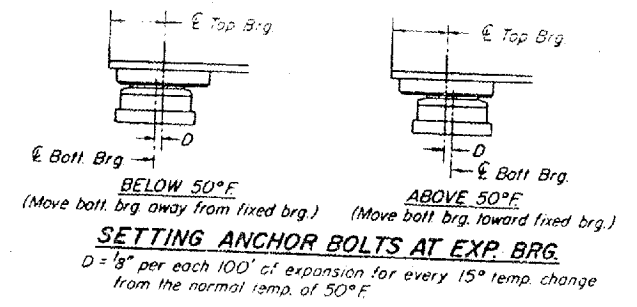
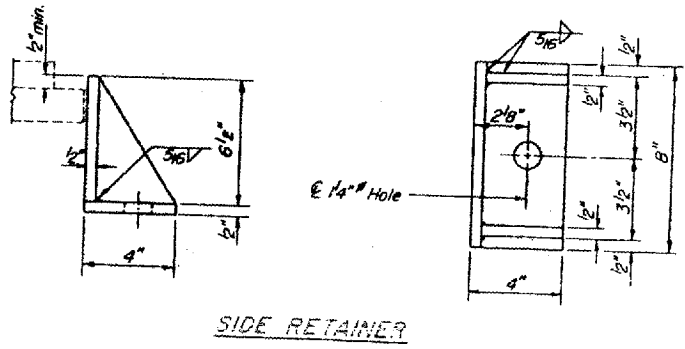


**TYPE III ELASTOMERIC EXP BRG.**  
 (At Pier 3 - N. Brg. = 5 Req'd.)

\*Note: After girders have been erected holes of expansion bearings shall be drilled and anchor bolts grouted in place. Anchor bolts of fixed bearings may be built into the masonry.



Note: The 1/8 inch TFE sheet shall be bonded directly to the top steel plate with a two-component, medium viscosity epoxy resin, conforming to the requirements of the Federal Specification MMM-A-134, Type I. The bond agent shall be applied on the full area of the contact surfaces.  
 Bonding of 1/8 inch TFE sheet during vulcanizing process will be permitted provided the process and method of adjusting assembly height is approved by the Engineer.



FOR INFORMATION ONLY:  
 BRIDGE NO. 6 STRUCTURE 100-0032

TYPE III ELASTOMERIC EXP BRG.  
 FEDERAL AID PRIMARY RT. 726 (ILL. 148)  
 SECTION 129 BC-BR  
 OVER BIG MUDDY RIVER  
 WILLIAMSON COUNTY  
 STATION 173+70.00

DESIGNED BY: T.E.H.  
 CHECKED BY: C.R.N.  
 DRAWN BY: D.A.N.  
 APPROVED BY: T.E.H.

**HANSON ENGINEERS**  
 INCORPORATED  
 CHICAGO, ILLINOIS

FILE NO. BOS2008  
 DATE 11-12-81