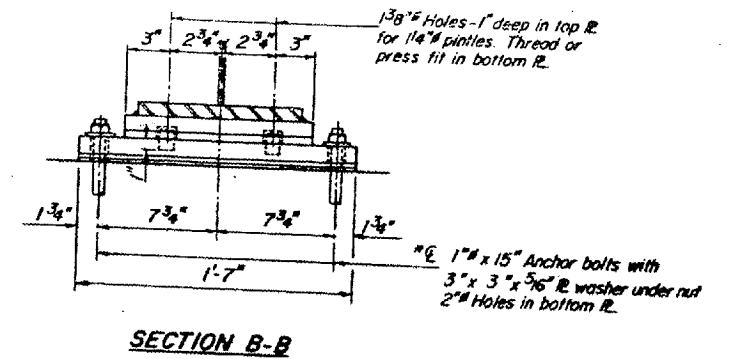
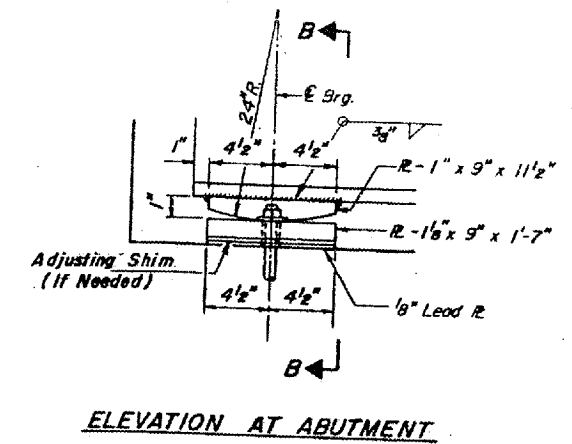
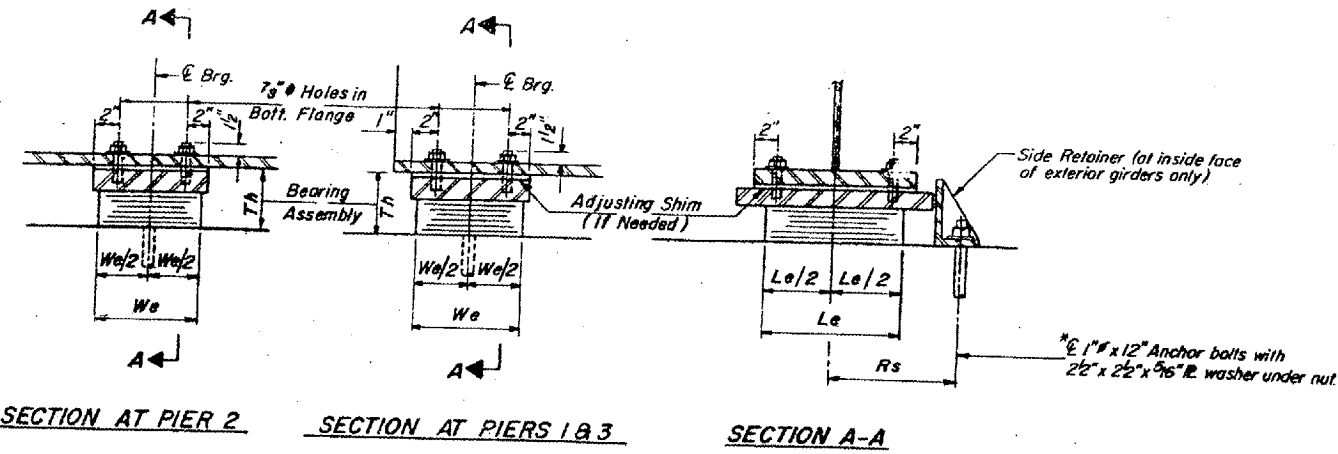


Sec. 129 BC-BR

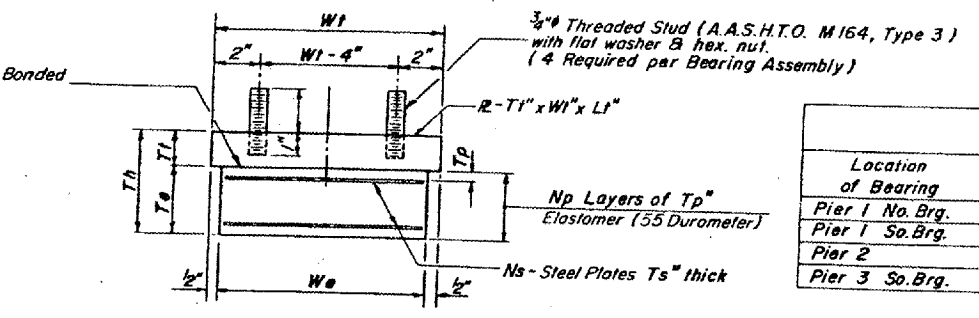
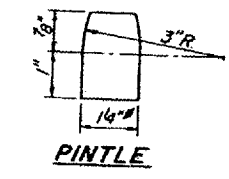
Sheet 8 of 15



TYPE I ELASTOMERIC EXP. BRG.
 (At Pier 1 - No. & So. Brgs. = 10 Req'd.)
 (At Pier 2 = 5 Req'd.)
 (At Pier 3 - So. Brgs. = 5 Req'd.)

*Note: After girders have been erected holes at expansion bearings shall be drilled and anchor bolts grouted in place. Anchor bolts at fixed bearings may be built into the masonry.

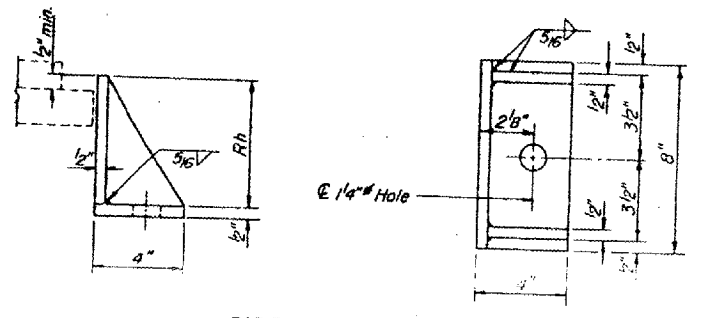
FIXED BEARING
 (At N. Abut. = 5 Req'd.)
 (At S. Abut. = 5 Req'd.)



Location of Bearing	Top Plate		Elastomer Dimensions								Retainer		Th
	T1	W1	Le	Te	We	Le	Np	Ns	TP	Ts	Rh	Rs	
Pier 1 No. Brg.	1 1/8"	8"	1'-2"	1 3/4"	7"	12"	4	3	3 3/8"	3 3/8"	3 3/8"	9 3/4"	3 3/8"
Pier 1 So. Brg.	1 3/4"	10"	1'-3"	2 1/4"	9"	12"	5	4	3 3/8"	3 3/8"	4"	9 3/4"	4"
Pier 2	2 3/8"	13"	1'-10"	3 3/8"	12"	20"	5	4	3 3/8"	3 3/8"	6 1/2"	1'-1 1/4"	6 1/8"
Pier 3 So. Brg.	1 1/8"	8"	1'-2"	1 3/4"	7"	12"	4	3	3 3/8"	3 3/8"	3 1/2"	9 1/4"	3 3/8"

BEARING ASSEMBLY

Note: Shim plates shall not be placed under Bearing Assembly.



SIDE RETAINER

FOR INFORMATION ONLY:
 BRIDGE NO. 6 STRUCTURE 100-0032

TYPE I ELASTOMERIC EXP. BRG.
 FEDERAL AID PRIMARY RT. 726 (ILL. 148)
 SECTION 129 BC-BR
 OVER BIG MUDDY RIVER
 WILLIAMSON COUNTY
 STATION 17.3+70.00

DESIGNED BY T.E.H.	CHECKED BY C.R.N.	APPROVED BY D.A.N.	DATE T.E.H.		PROJECT NO. 60S2006
					DATE 11-12-81