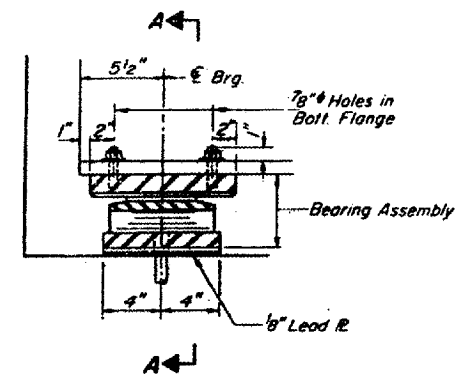
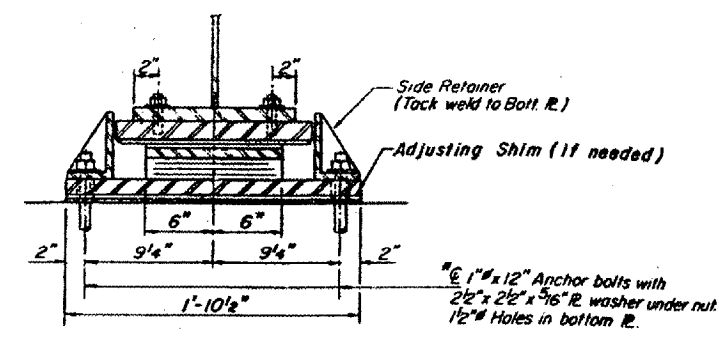


Sec. 129 BC



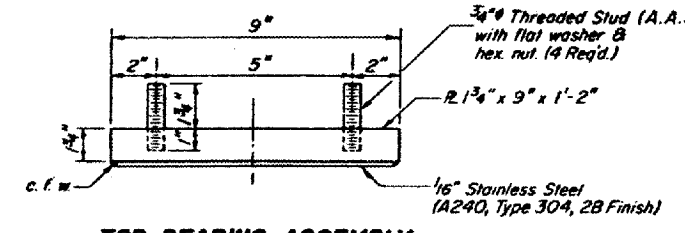
SECTION AT ABUT.



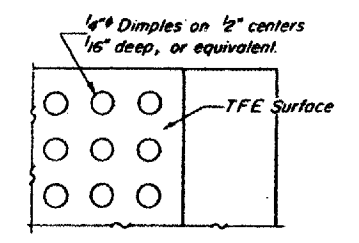
SECTION A-A

**TYPE II TFE ELASTOMERIC EXP BRG.**  
 (AT EAST ABUTMENT 5 REQ'D.)

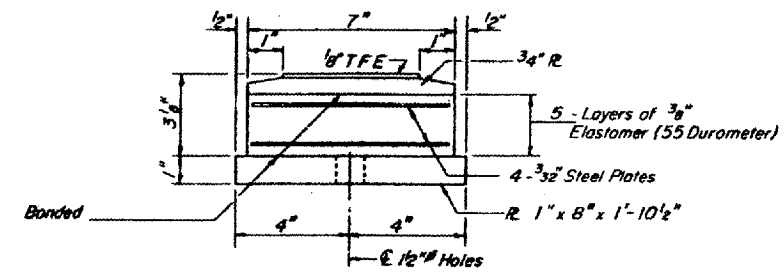
\*Note: After girders have been erected holes of expansion bearings shall be drilled and anchor bolts grouted in place. Anchor bolts at fixed bearings may be built into the masonry.



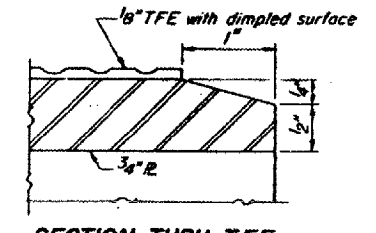
TOP BEARING ASSEMBLY



PLAN-TFE SURFACE

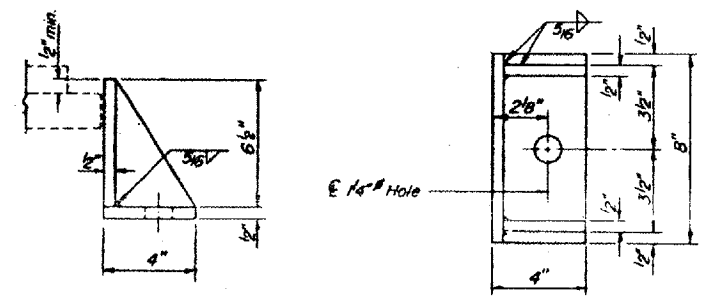


BOTTOM BEARING ASSEMBLY

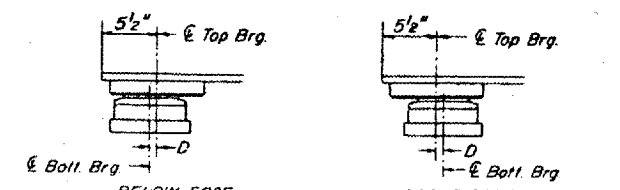


SECTION THRU TFE

Note: The 1/8" TFE sheet shall be bonded directly to the top steel plate with a two-component, medium viscosity epoxy resin, conforming to the requirements of the Federal Specification MMM-A-134, Type I. The bond agent shall be applied on the full area of the contact surfaces.  
 Bonding of 1/8" TFE sheet during vulcanizing process will be permitted provided the process and method of adjusting assembly height is approved by the Engineer.



SIDE RETAINER



**SETTING ANCHOR BOLTS AT EXP. BRG.**  
 D = 1/8" per each 100' of expansion for every 15° temp change from the normal temp of 50°F

FOR INFORMATION ONLY:  
 BRIDGE NO. 7 STRUCTURE 100-0033

TYPE II ELASTOMERIC EXP BRG.  
 FEDERAL AID PRIMARY RT. 726 (ILL. 148)  
 SECTION 129-BC-BR-1  
 OVER POND CREEK  
 WILLIAMSON COUNTY  
 STATION 222+8000

|                                                                        |  |                     |
|------------------------------------------------------------------------|--|---------------------|
| LICENSED P.E.<br>LICENSED E.E.N.<br>LICENSED M.L.A.<br>LICENSED P.K.B. |  | 8032006<br>11-12-81 |
|------------------------------------------------------------------------|--|---------------------|