

STATE OF ILLINOIS
DEPARTMENT OF PUBLIC WORKS & BUILDINGS
DIVISION OF HIGHWAYS

CONTRACT NO.: 98882
ROUTE: VARIOUS
COUNTY: VARIOUS
SECTION: D-9 CONTRACT
MAINTENANCE 05-7

SHEET NO.: 11 OF 58	
24	29 20
6A-18A MASSAC	13 SHEETS

ELEVATION TOP OF WF
NORTH STRUCTURE

Beam No.	E. Brg. W. Abut.	Pier #1	Splice A	Splice B	Pier #2	E. Brg. E. Abut.
1	343.12	348.18	348.20	348.24	348.56	345.32
2	348.28	348.34	348.36	348.40	348.42	348.48
3	348.41	348.47	348.49	348.53	348.55	348.61
4	348.48	348.54	348.56	348.60	348.62	348.68
5	348.38	348.44	348.46	348.50	348.52	348.58
6	348.25	348.31	348.33	348.37	348.39	348.45

SOUTH STRUCTURE

Beam No.	E. Brg. W. Abut.	Pier #1	Splice A	Splice B	Pier #2	E. Brg. E. Abut.
1	348.35	348.41	348.43	348.47	348.49	348.55
2	348.49	348.55	348.57	348.61	348.63	348.69
3	348.61	348.67	348.69	348.73	348.75	348.81
4	348.56	348.62	348.64	348.68	348.70	348.76
5	348.45	348.51	348.53	348.57	348.59	348.65
6	348.31	348.37	348.39	348.43	348.45	348.51

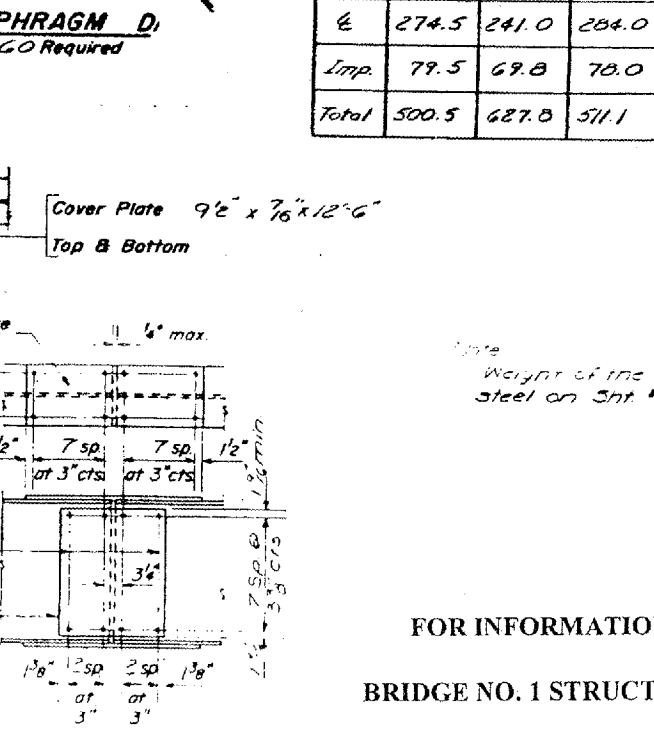
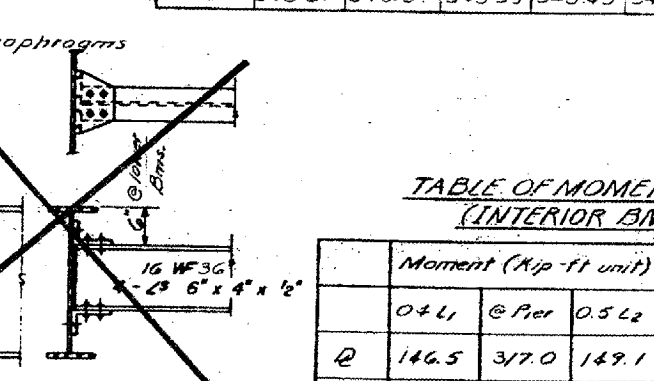
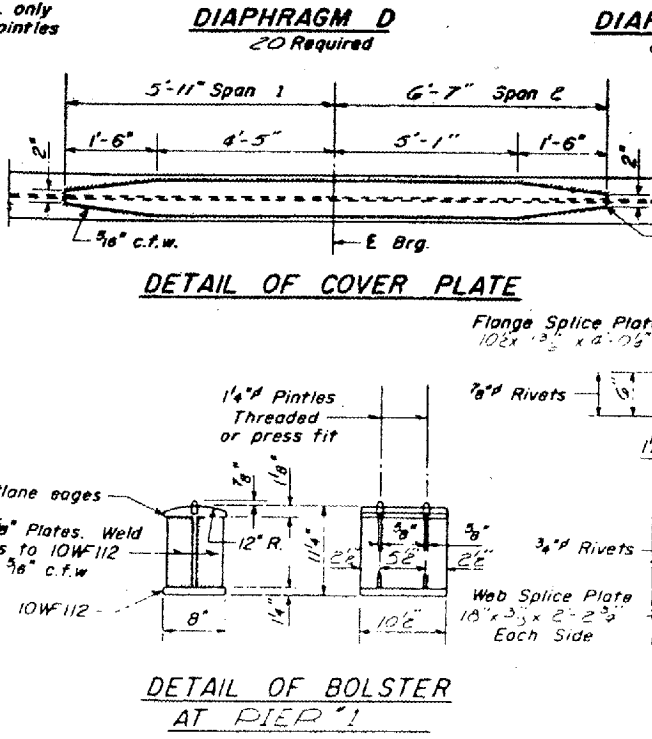
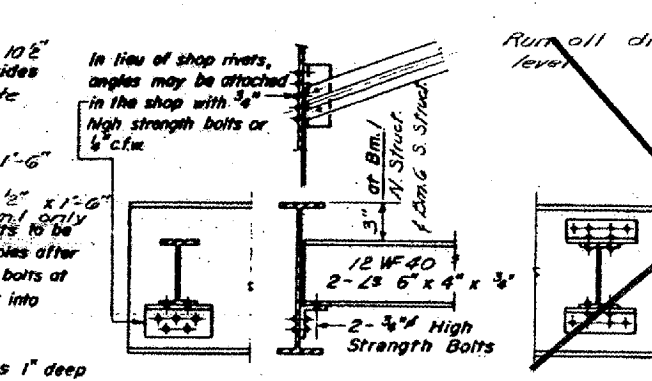
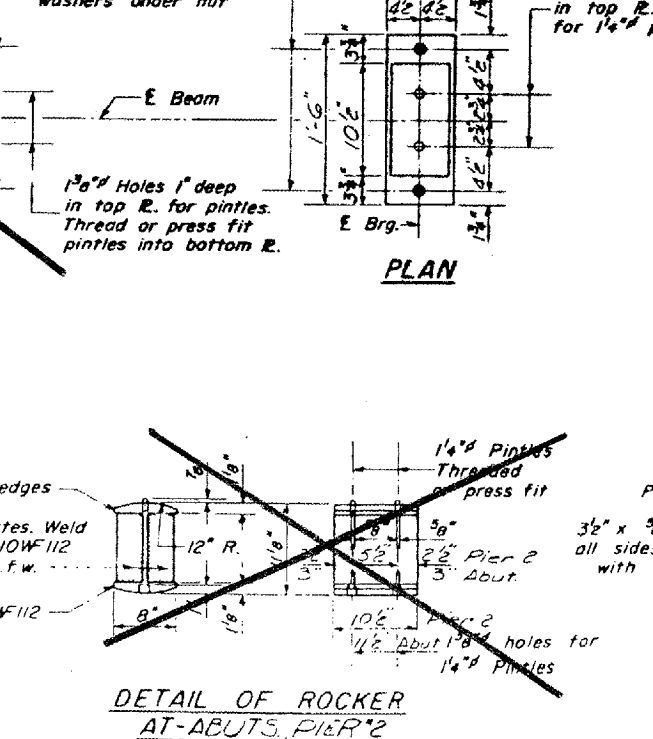
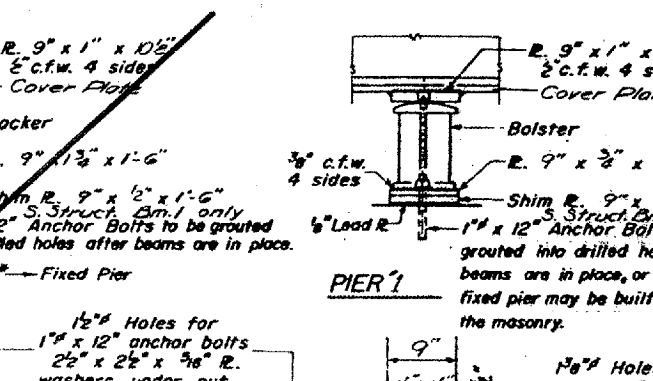
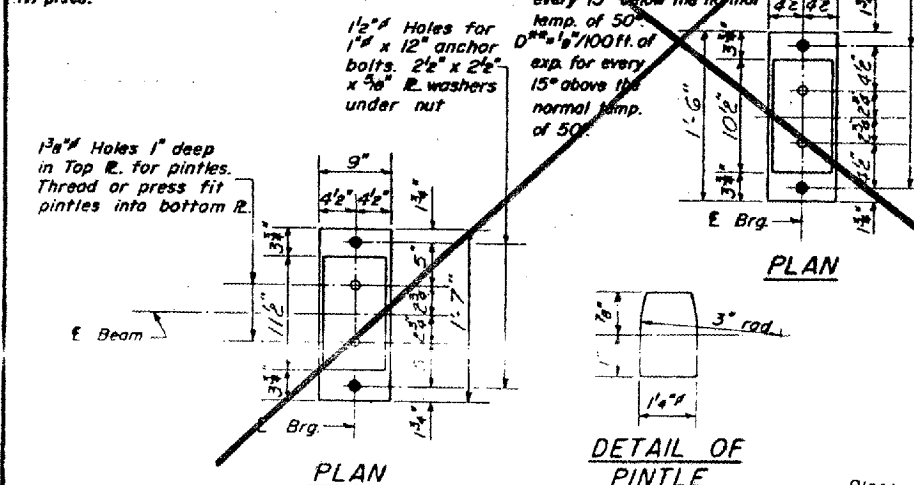
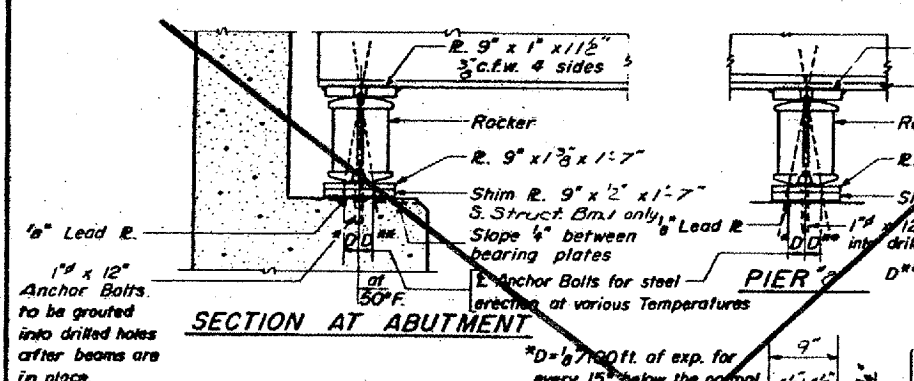
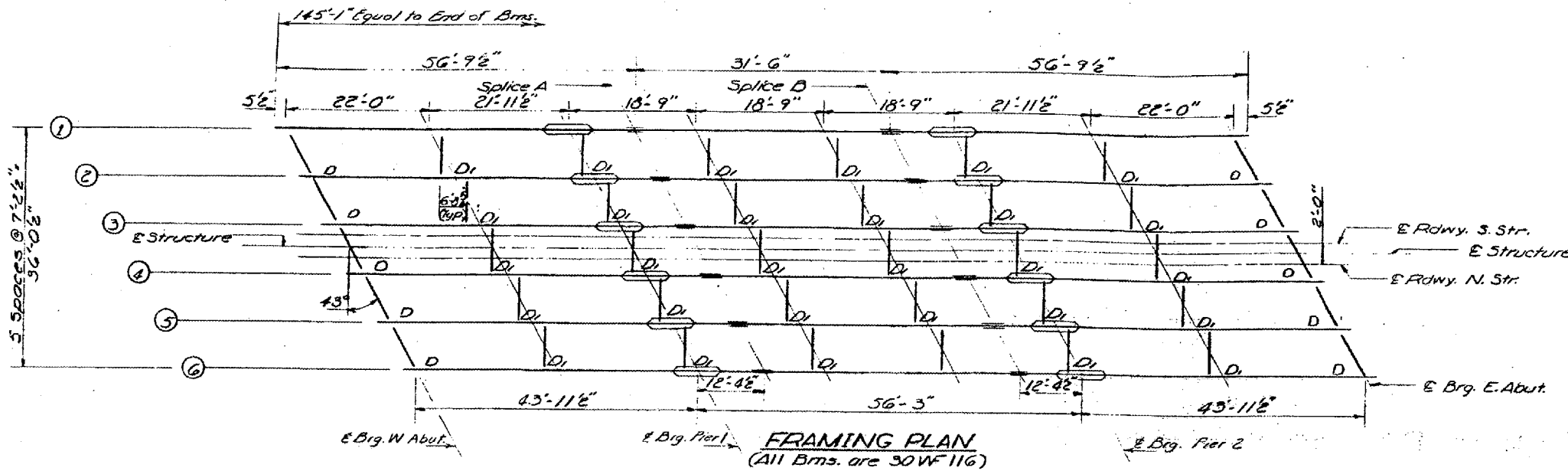


TABLE OF MOMENTS & REACTION
(INTERIOR BMS. ONLY)

	Moment (Kip-ft unit)		Reaction (Kip)	
	0+L1 @ Pier	0.5L2 @ Abut. & Pier	@ Abut. & Pier	@ Pier
Q	146.5	317.0	149.1	10.6
E	274.5	241.0	284.0	34.9
Imp.	79.5	69.8	70.0	
Total	500.5	627.8	511.1	110.1

DESIGNED: [Signature]
EXAMINED: [Signature]
CHECKED: P.G. Barnett, D. Livingston
DRAWN: W.A. Sausman Jr.
APPROVED: [Signature]
SEPT 24 1968

FOR INFORMATION ONLY:
BRIDGE NO. 1 STRUCTURE 064-0017
BRIDGE NO. 2 STRUCTURE 064-0018