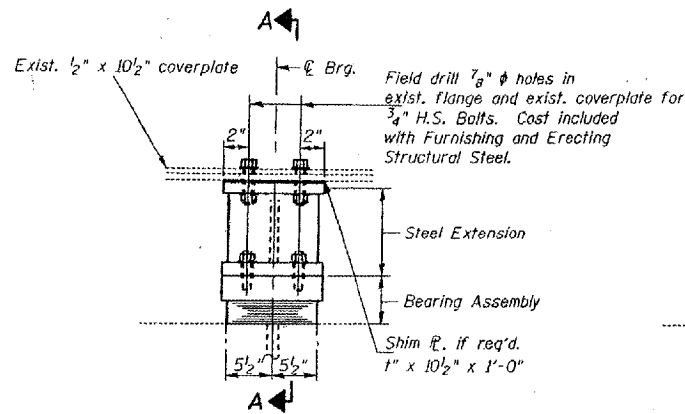


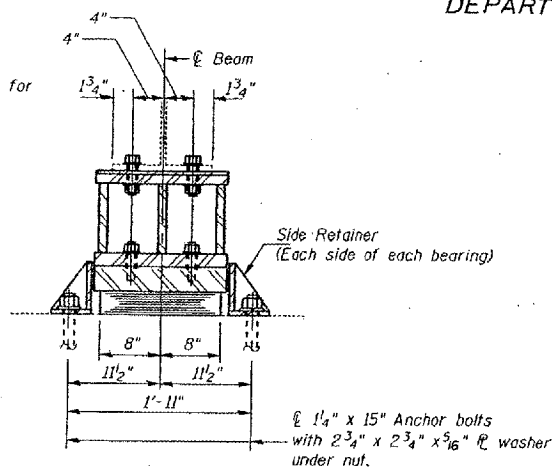
STATE OF ILLINOIS
 DEPARTMENT OF TRANSPORTATION

| ROUTE NO. | SECTION | COUNTY | SHEET NO. | TOTAL SHEETS |
|-----------|---------|--------|-----------|--------------|
| F.A.I. 24 | * | MASSAC | 234 | 161 |

REG. ROAD DIST. NO. 1
 ALLOWABLE REG. AID PROJECT
 * 64IL2.2-1.3-1.31RS-1 BSMART FY2002-2



ELEVATION AT PIER #2



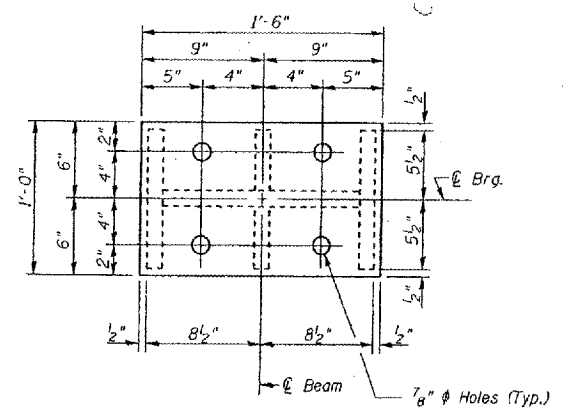
SECTION A-A

Existing Plate to be removed using the air-arc method and grind smooth all weld material remaining on the bottom flange.

Burn the existing anchor bolts flush with existing concrete surface. Grind existing anchor bolts smooth and seal with epoxy.

EXISTING BEARING REMOVAL DETAIL

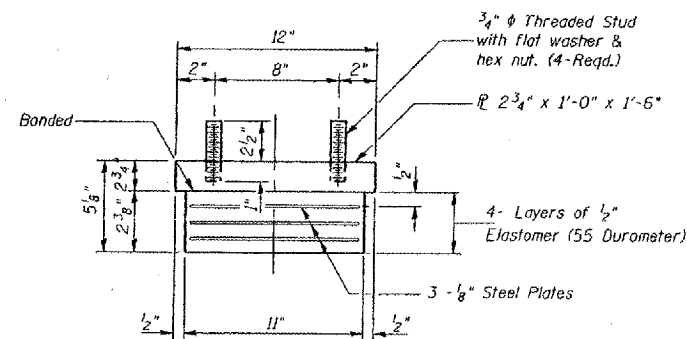
Cost is included with Jack and Remove Existing Bearings



PLAN-TOP & BOTTOM PLATE

TYPE I ELASTOMERIC EXP. BRG.

Notes: See sheet 172 for Anchor Bolt installation.

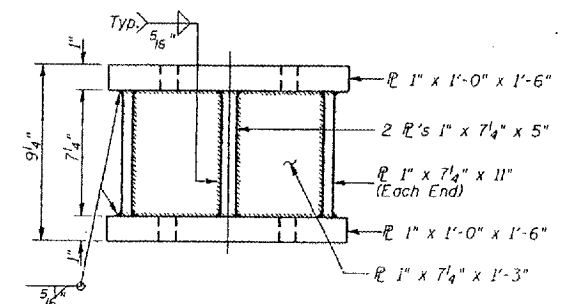


BEARING ASSEMBLY

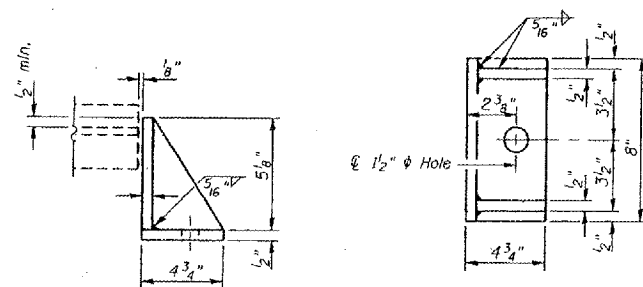
Note: Shim plates shall not be placed under Bearing Assembly.

GIRDER REACTIONS

| | | |
|-----------|-----|--------|
| RR | (K) | 76.70 |
| RL | (K) | 47.10 |
| Imp. | (K) | 14.13 |
| R (Total) | (K) | 137.93 |



STEEL EXTENSION AT PIER #2



SIDE RETAINER

Equivalent rolled angle with stiffeners will be allowed in lieu of welded plates. Weight included with Furnishing and Erecting Structural Steel.

Notes:

Prior to ordering any material, the Contractor shall verify in the field all bearing height and shim thickness dimensions. The minimum jack capacity required is 85 Tons. New steel extensions, side retainers, connection bolts, anchor bolts and any shim are included in "Furnishing and Erecting Structural Steel."

BILL OF MATERIAL

| Item | Unit | Total |
|-------------------------------------|------|-------|
| Elastomeric Bearing Assembly Type I | Each | 6 |
| Jack and Remove Existing Bearings | Each | 6 |

| | |
|-----------|-----|
| DESIGNED: | CMW |
| CHECKED: | TWH |
| DRAWN: | CMW |
| CHECKED: | TWH |

PIER #2

FOR INFORMATION ONLY:

BRIDGE NO. 3 STRUCTURE 064-0020