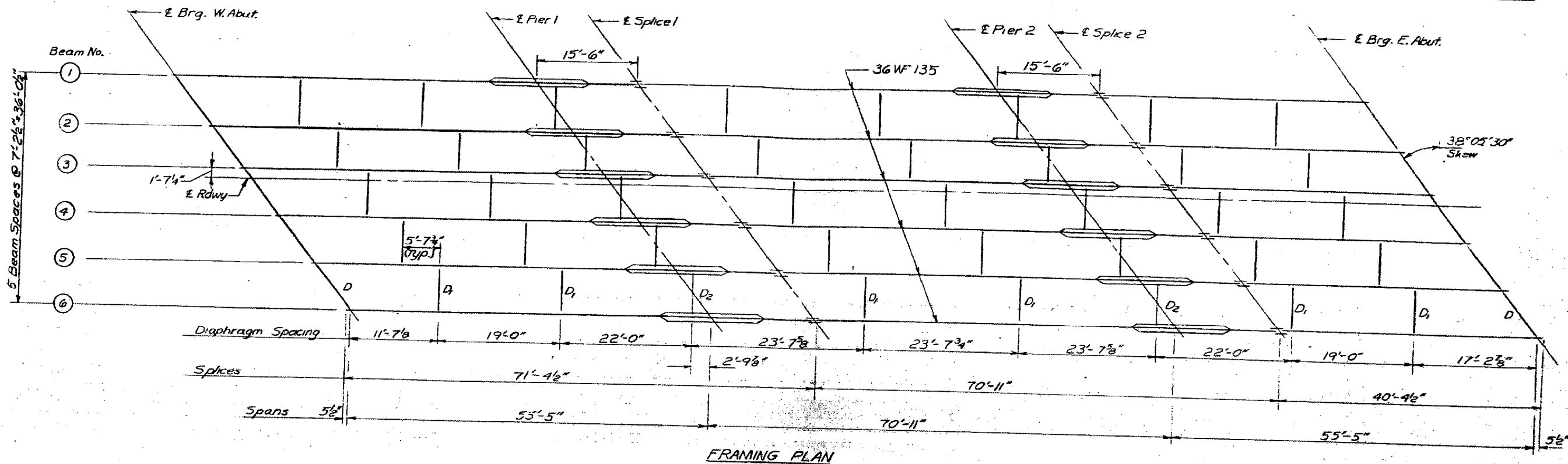


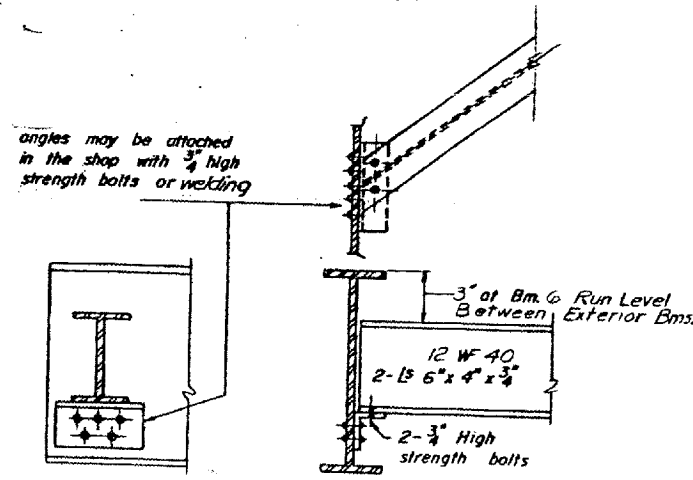
STATE OF ILLINOIS
 DEPARTMENT OF PUBLIC WORKS & BUILDINGS
 DIVISION OF HIGHWAYS

DATE	DESCRIPTION	BY	CHECKED	DATE
11-24-64	6+2VB MASSAC	79	25	

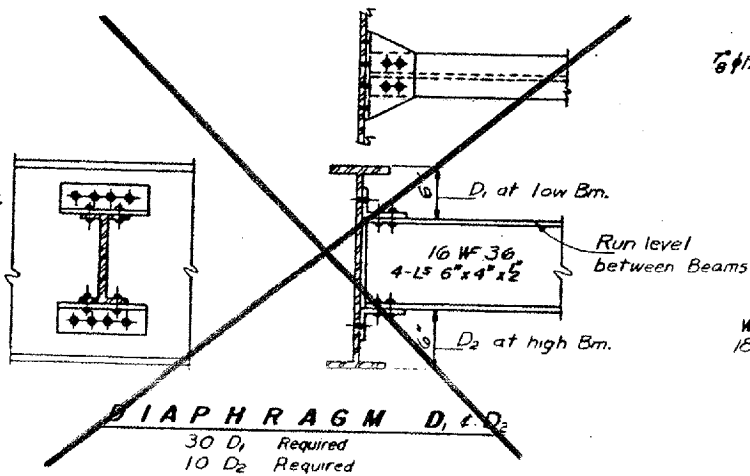
SHEET NO. 3
 // SHEETS



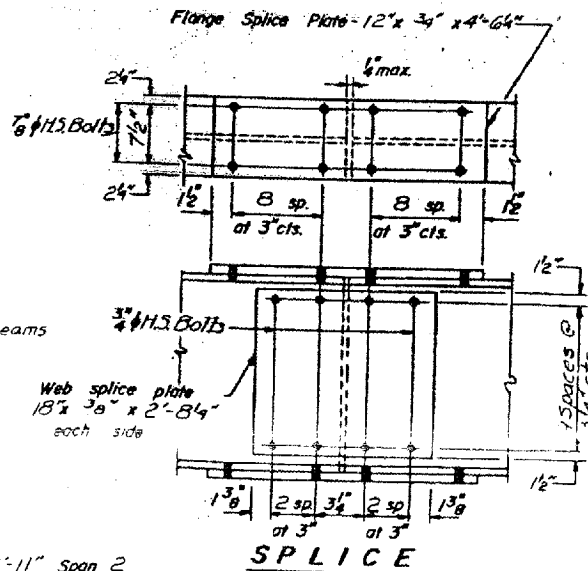
FRAMING PLAN



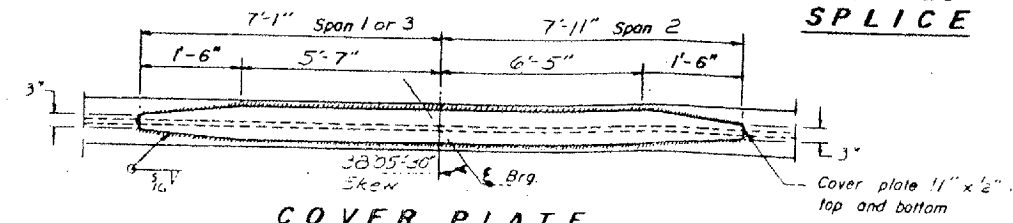
DIAPHRAGM D
 10 Required



DIAPHRAGM D₁ & D₂
 30 D₁ Required
 10 D₂ Required



SPLICE



COVER PLATE

STRESS TABLE
 INTERIOR BEAMS

	MOMENTS			REACTIONS	
	1 sp. 1 or 3	Pier 1 or 2	5 sp. 2	Abuts.	Piers
D.L.	233.4	505.5	238.3	136.2	482.9
L.L.	379.1	346.1	386.9	114.6	148.7
Imp.	105.0	92.1	98.6		
Total	717.5	943.7	723.8	250.8	631.6

Moments are in Ft.-Kips
 Reactions and Shears are in Kips

TOP OF BEAM ELEVATIONS

Beam No.	Pier 1	Splice 1	Pier 2	Splice 2	E Brg. E.A.
1	394.809	394.933	394.966	395.092	395.217
2	394.945	395.069	395.104	395.228	395.353
3	395.059	395.183	395.218	395.342	395.377
4	394.998	395.122	395.157	395.281	395.316
5	394.882	395.006	395.041	395.165	395.200
6	394.732	394.856	394.891	395.015	395.140

FOR INFORMATION ONLY:
 BRIDGE NO. 4 STRUCTURE 064-0021

DESIGNED *L. J. M...*
 CHECKED *A. J. S...*
 DRAWN *J. Schneller*
 CHECKED *H. L.*

EXAMINED *S. J. M...* SEPT 30 1968
 PASSED
 APPROVED