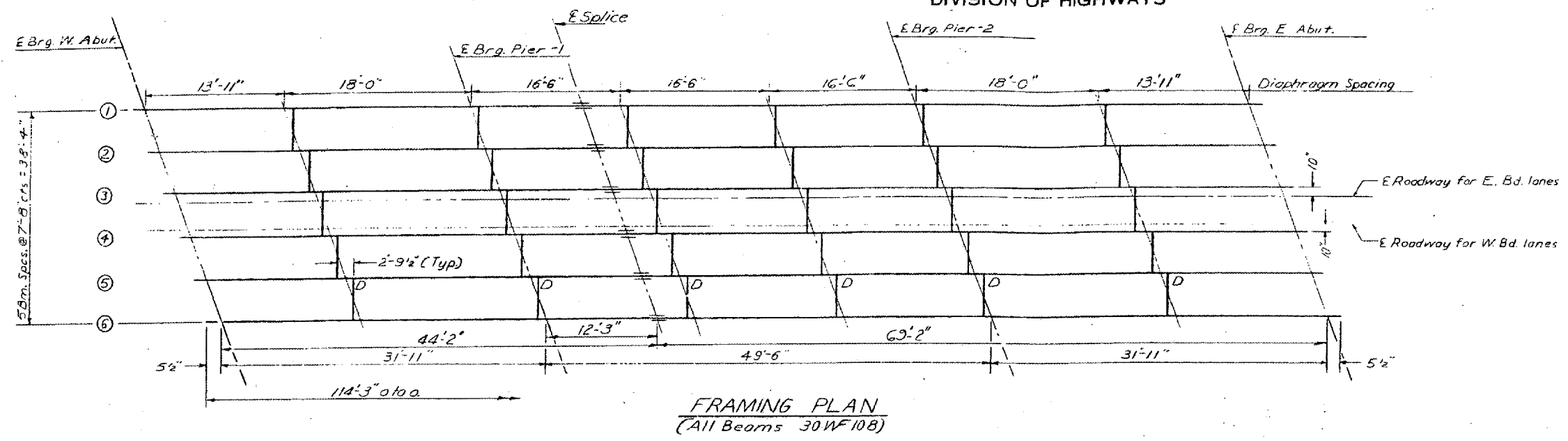


STATE OF ILLINOIS
 DEPARTMENT OF PUBLIC WORKS & BUILDINGS
 DIVISION OF HIGHWAYS



ELEVATIONS TOP OF WF

EAST BOUND LANES

Beam Location	1	2	3	4	5	6
E Brg. W. Abut.	400.87	400.97	401.06	400.93	400.76	400.57
E Brg. Pier 1	400.47	400.57	400.66	400.53	400.36	400.17
E Splice	400.32	400.42	400.51	400.38	400.21	400.02
E Brg. Pier 2	399.84	399.94	400.03	399.90	399.73	399.54
E Brg. E. Abut.	399.44	399.54	399.63	399.50	399.33	399.14

WEST BOUND LANES

Beam Location	1	2	3	4	5	6
E Brg. W. Abut.	401.25	401.37	401.47	401.53	401.37	401.19
E Brg. Pier 1	400.85	400.97	401.07	401.13	400.97	400.79
E Splice	400.70	400.82	400.92	400.98	400.82	400.64
E Brg. Pier 2	400.22	400.34	400.44	400.50	400.34	400.16
E Brg. E. Abut.	399.82	399.94	400.04	400.10	399.94	399.76

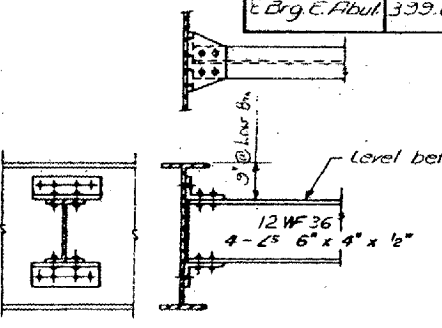
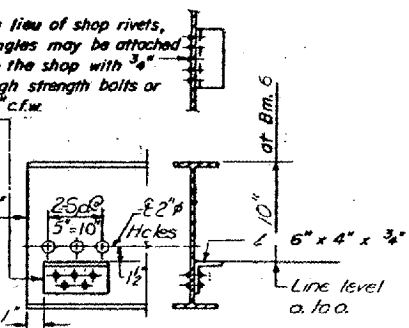
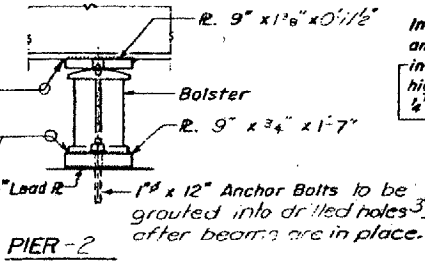
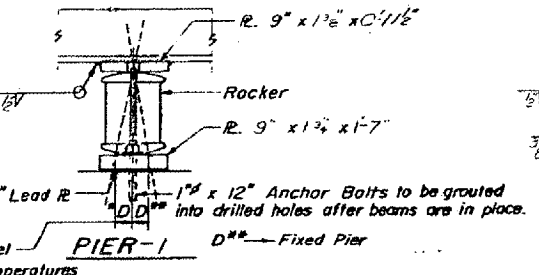
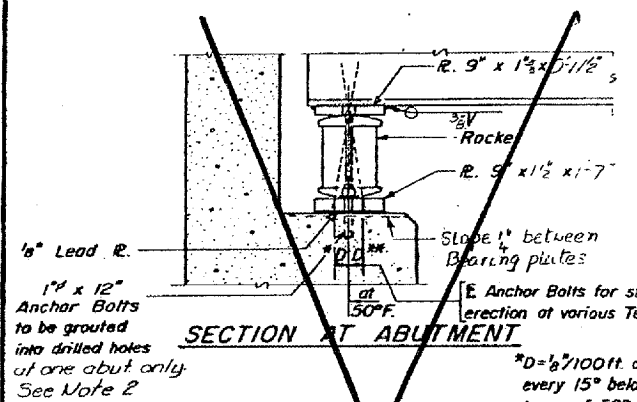
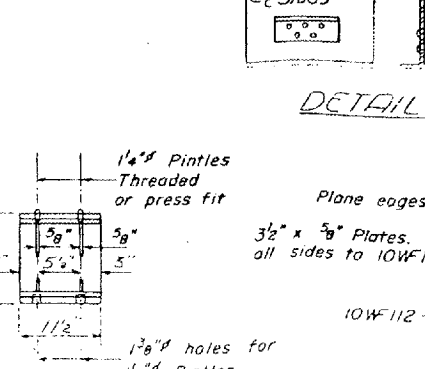
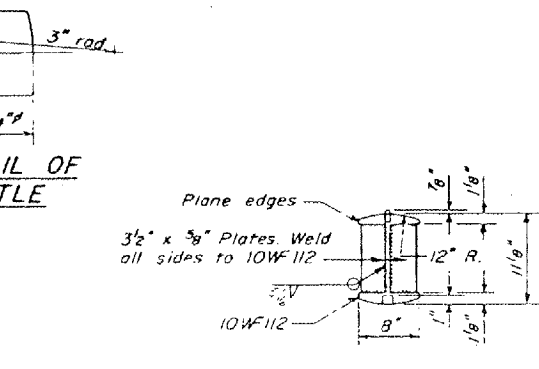
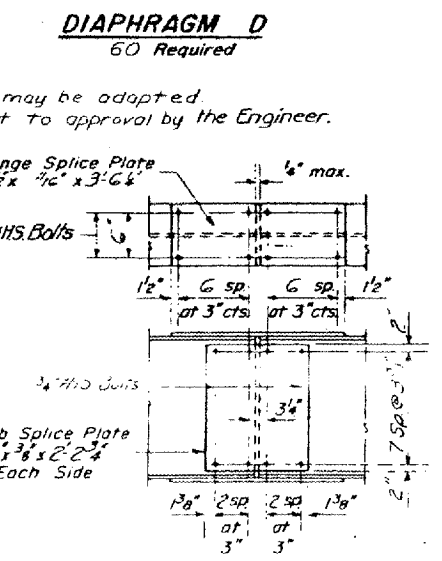
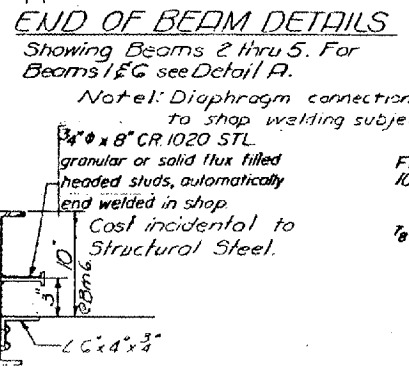
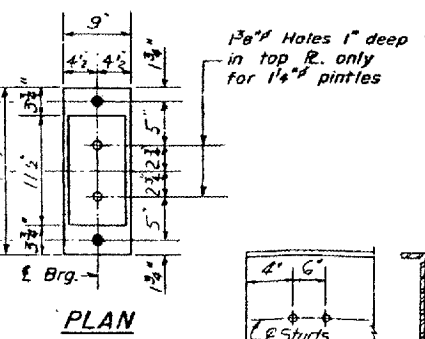
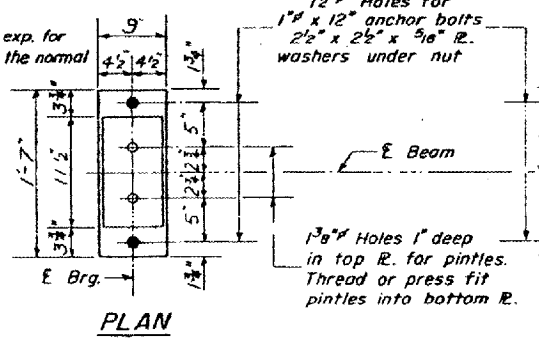
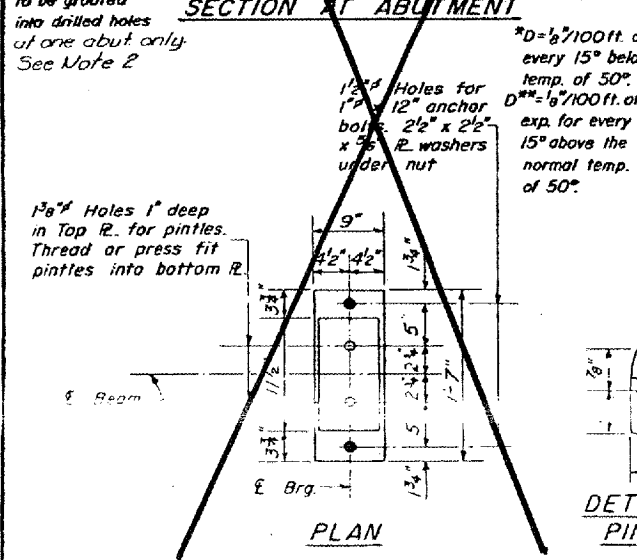


TABLE OF STRESSES

Moments and Reactions - Interior Beams

	Moments (Ft. Kips)		Reactions (Kips)		
	4 Span	Pier 1	5 Span	Abut. Pier 1	
D.L.	65.37	223.51	154.37	12.69	57.22
L.L.	136.64	182.73	247.88	33.61	46.2
IMP.	58.99	54.83	74.36	10.08	13.86
Total	361.00	461.07	476.61	56.38	117.28



Note: 2
 For Detail of Beam Hold Down Assembly, See Sheet # 6

DESIGNED R.Q.G.K.
 EXAMINED *[Signature]*
 CHECKED P.G. Barnett
 DRAWN W.A. Sausaman Jr.
 FEB. 20 1963
 PASSED *[Signature]*
 APPROVED *[Signature]*

FOR INFORMATION ONLY:
 BRIDGE NO. 7 STRUCTURE 064-0025
 BRIDGE NO. 8 STRUCTURE 064-0026