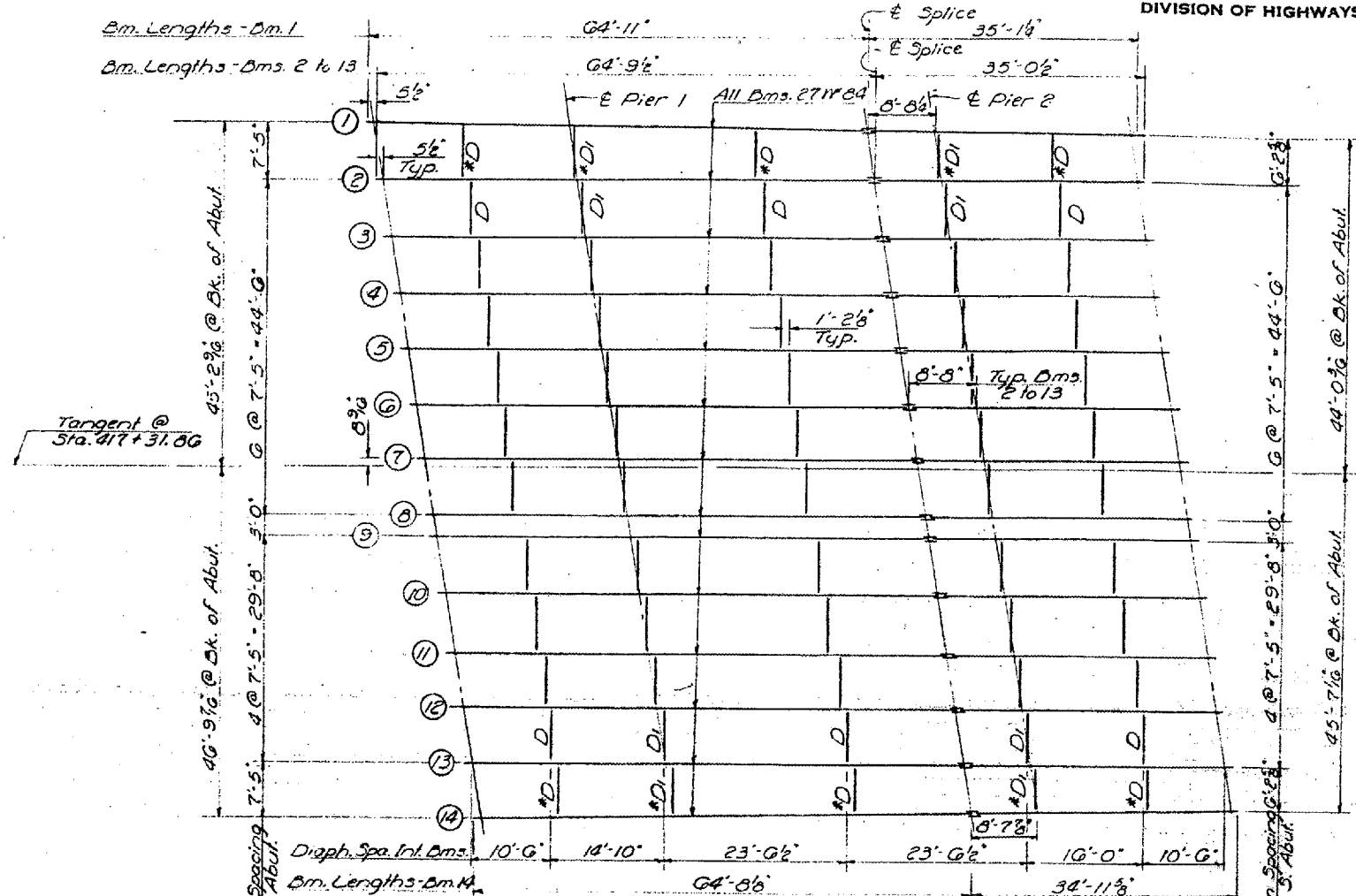


STATE OF ILLINOIS
 DEPARTMENT OF PUBLIC WORKS & BUILDINGS
 DIVISION OF HIGHWAYS

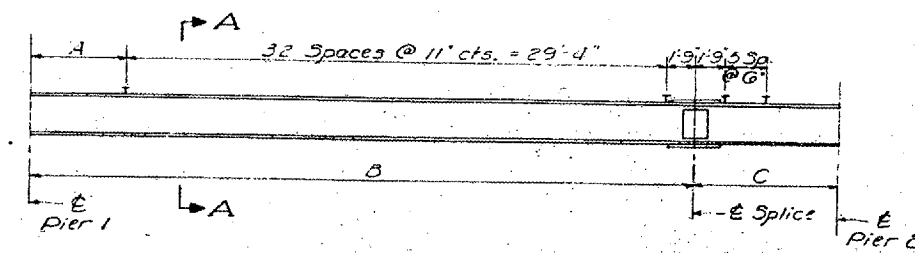
ROUTE NO.	SECTION
64-345	3
P.L. 24	
P.L. 24	
P.L. 24	



TOP OF WF ELEVATIONS

Local Beam	1	2	3	4	5	6	7	8	9	10	11	12	13	14
E Brg. No. Abut.	372.03	371.92	371.81	371.71	371.60	371.42	371.11	371.29	371.41	371.40	371.37	371.26	371.15	371.05
E Pier 1	372.11	372.00	371.89	371.79	371.68	371.50	371.19	371.37	371.49	371.50	371.45	371.34	371.23	371.13
E Splice	372.22	372.11	372.00	371.90	371.79	371.61	371.30	371.48	371.60	371.67	371.56	371.45	371.34	371.24
E Pier 2	372.25	372.13	372.03	371.93	371.82	371.64	371.33	371.51	371.63	371.70	371.59	371.48	371.37	371.27
E Brg. No. Abut.	372.33	372.21	372.11	372.01	371.90	371.72	371.41	371.59	371.71	371.78	371.67	371.56	371.45	371.35

	A	D	C
Dm. 1	7'-4 3/8"	38'-5 3/8"	8'-8 1/2"
Dms. 2-13	7'-4"	38'-5"	8'-8"
Dm. 14	7'-3 3/8"	38'-4 3/8"	8'-7 3/8"



BEAM ELEVATION - SPAN 2
 (117 Studs per Beam)

MOMENTS & REACTIONS (INT. BMS.)

	*MOMENTS (Ft.-Kips)			REACTIONS (Kips)	
	A Sp. 1	Pier 1	Sp. 2	Abuts.	Piers
D.L.	12.1	142.4	95.1	5.6	36.8
S.D.L.	7.5	33.7	38.4	2.1	10.8
L.L. & Imp.	158.5	171.4	343.7	29.3	43.9
Total	178.1	347.5		37.0	91.5

* Symm. about E Span 2

SHEARS - SPAN 2

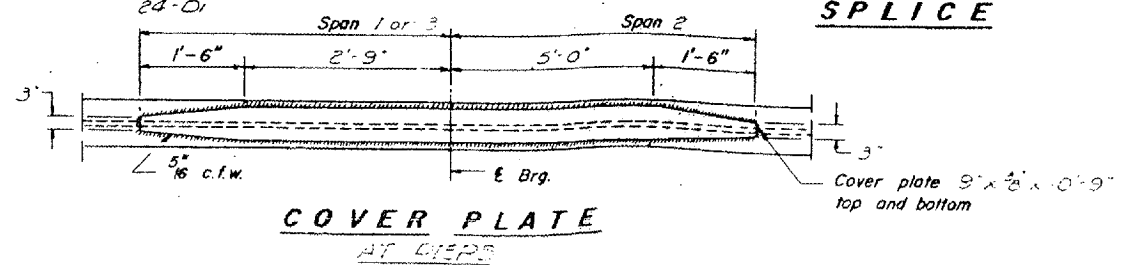
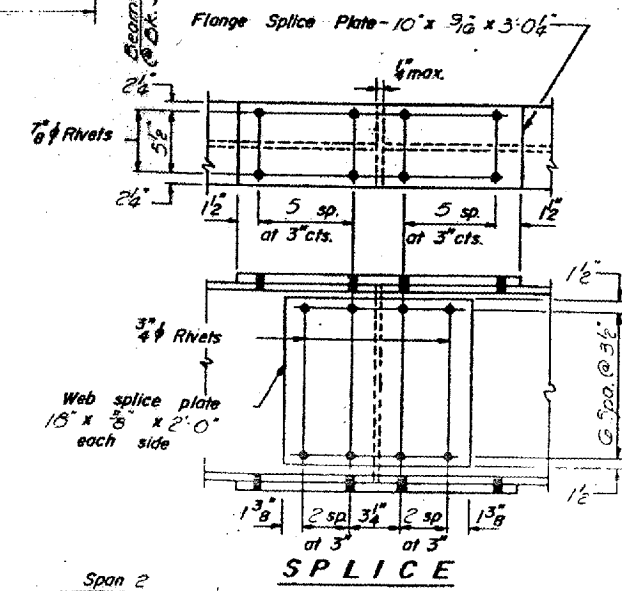
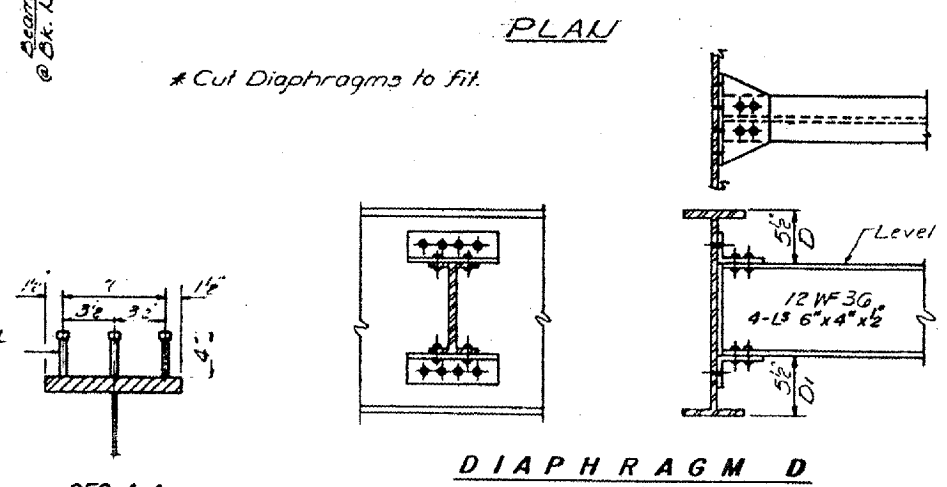
	25L	.5L
S.D.L.	3.1	-
L.L. & Imp.	35.0	18.4
Total	38.1	18.4

PROPERTIES

STEEL SECTION	
Ic	2624.8 in. ⁴
So	211.7 in. ³
I (Pier)	4061.0 in. ⁴
S (Pier)	230.0 in. ³

COMPOSITE SECTION

Ic	8877.3 in. ⁴
So	336.6 in. ³



3/4" x 4" CR 1020 STL granular or solid flux filled headed studs.

DESIGNED: [Signature]
 CHECKED: George A. Davis
 DRAWN: J. Schneller Jacobs
 CHECKED: George A. Davis

EXAMINED: [Signature]
 PASSED: [Signature]
 APPROVED: [Signature]

FEB. 6 1965

FOR INFORMATION ONLY:
 BRIDGE NO. 13 STRUCTURE 064-0034