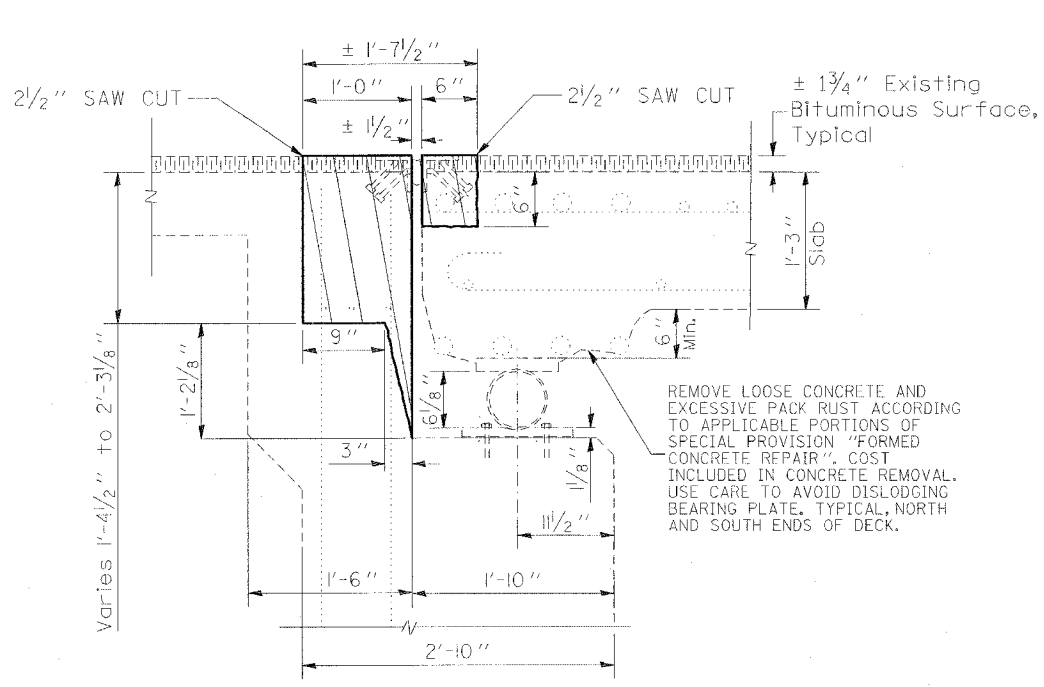


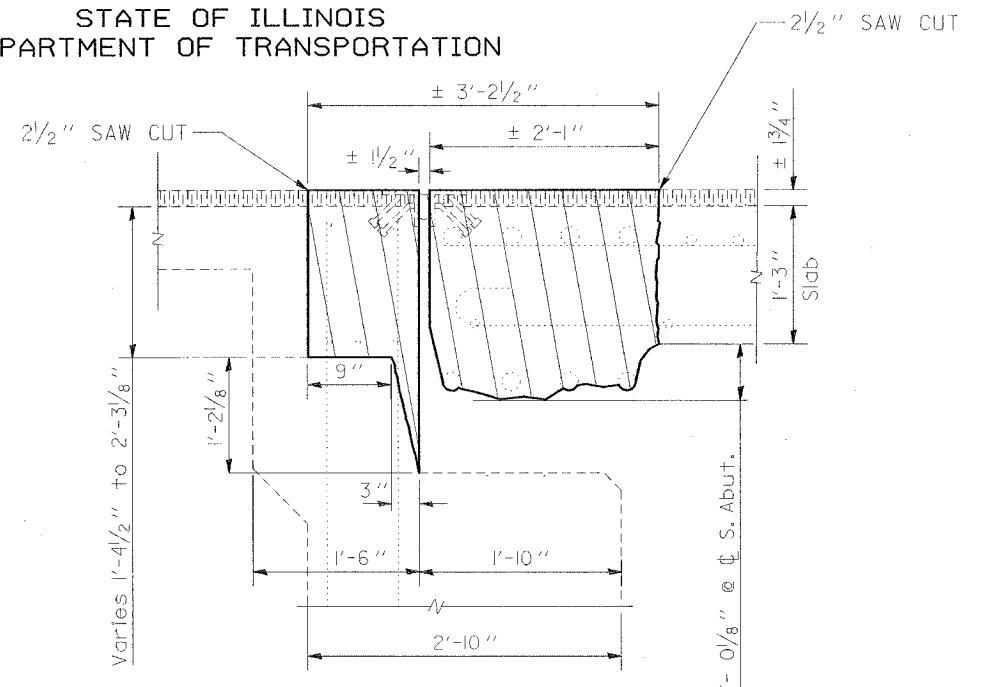
STATE OF ILLINOIS
DEPARTMENT OF TRANSPORTATION

ROUTE NO.	SECTION	COUNTY	TOTAL SHEETS	SHEET NO.
F. A. I. 57	*	UNION	15	9
FED. ROAD DIST. NO. 7	ILLINOIS	PROJECT-		

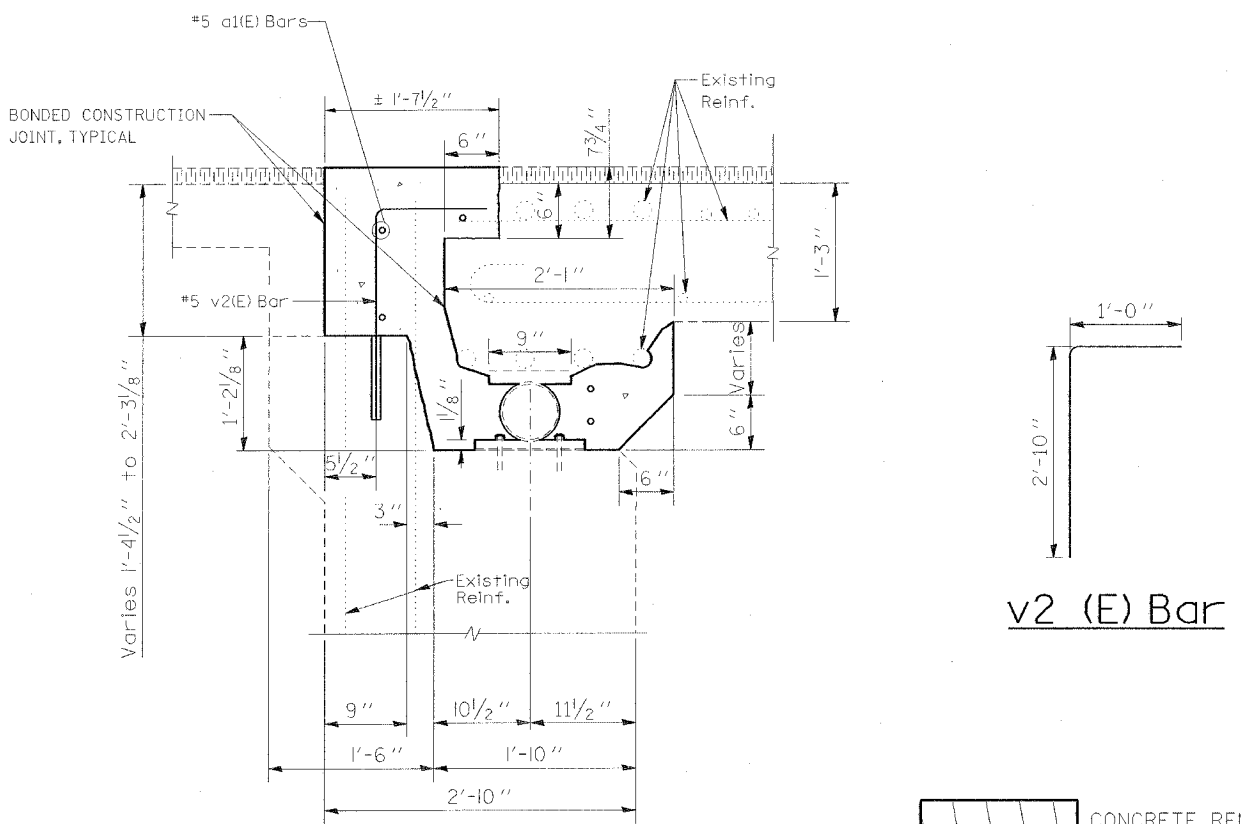
* D-9 CONT MAINT FY 05-9
CONTRACT NO. 98900



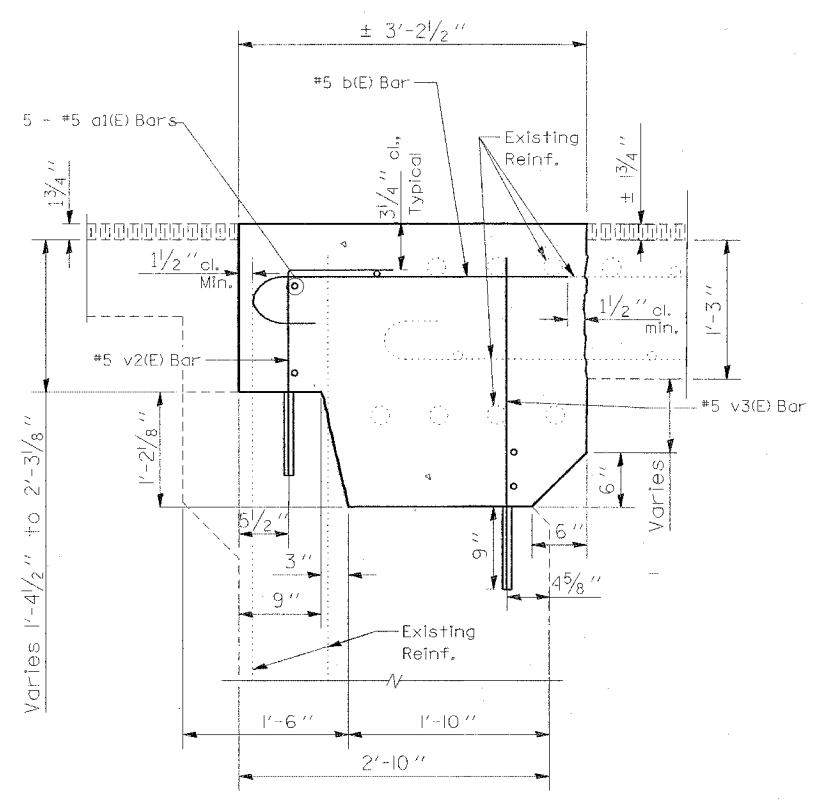
SECTION BB-BB



SECTION AA-AA

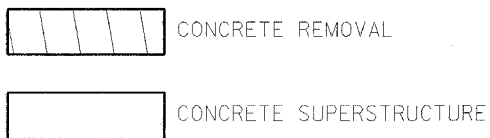
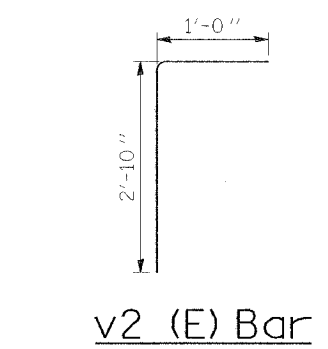


SECTION DD-DD



SECTION CC-CC

NOTE: EPOXY GROUT v2(E) BARS AND v3(E) BARS IN 7/8" Ø X 9" (MIN.) DRILLED HOLES ACCORDING TO SECTION 584 OF THE STANDARD SPECIFICATIONS. TRIM v2(E) BARS TO FIT AS DEPTH OF NEW CONSTRUCTION VARIES.



DESIGNED	RKG
CHECKED	CNT
DRAWN	RKG
CHECKED	CNT

SECTION VIEWS SOUTH ABUTMENT
ROUTE I-57 AT DONGOLA INTERCHANGE
OFF RAMP "B" 233 OVER STREAM
STRUCTURE 09I-0020
UNION COUNTY