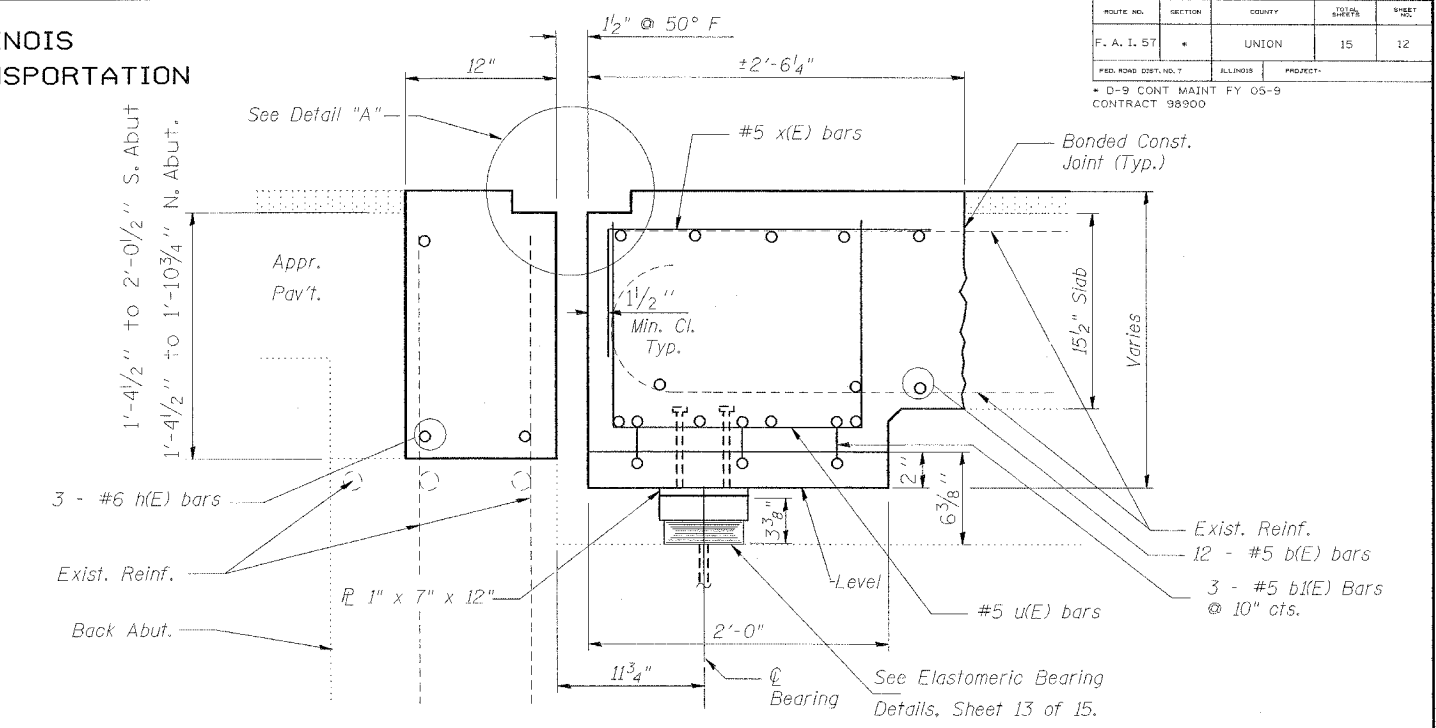
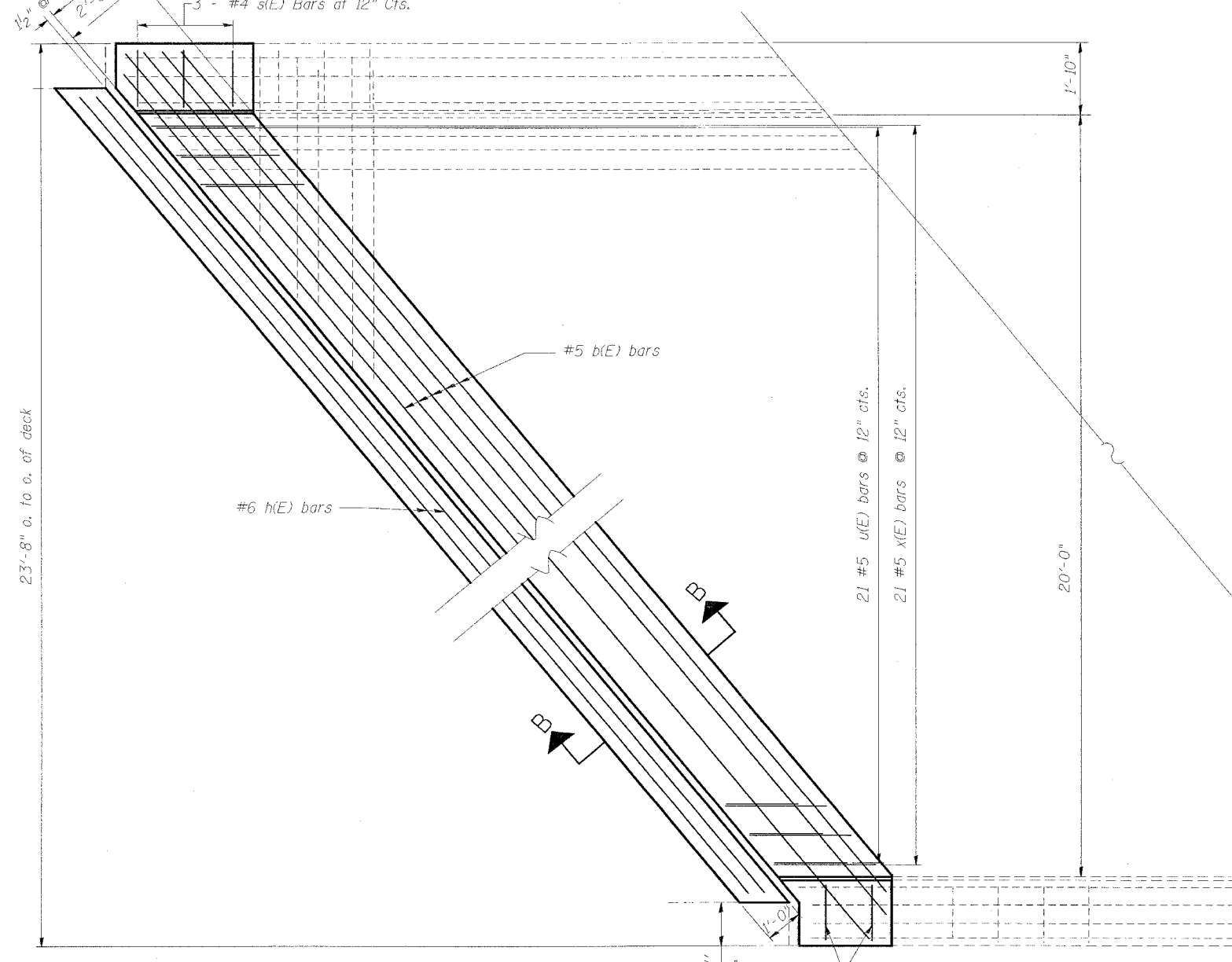
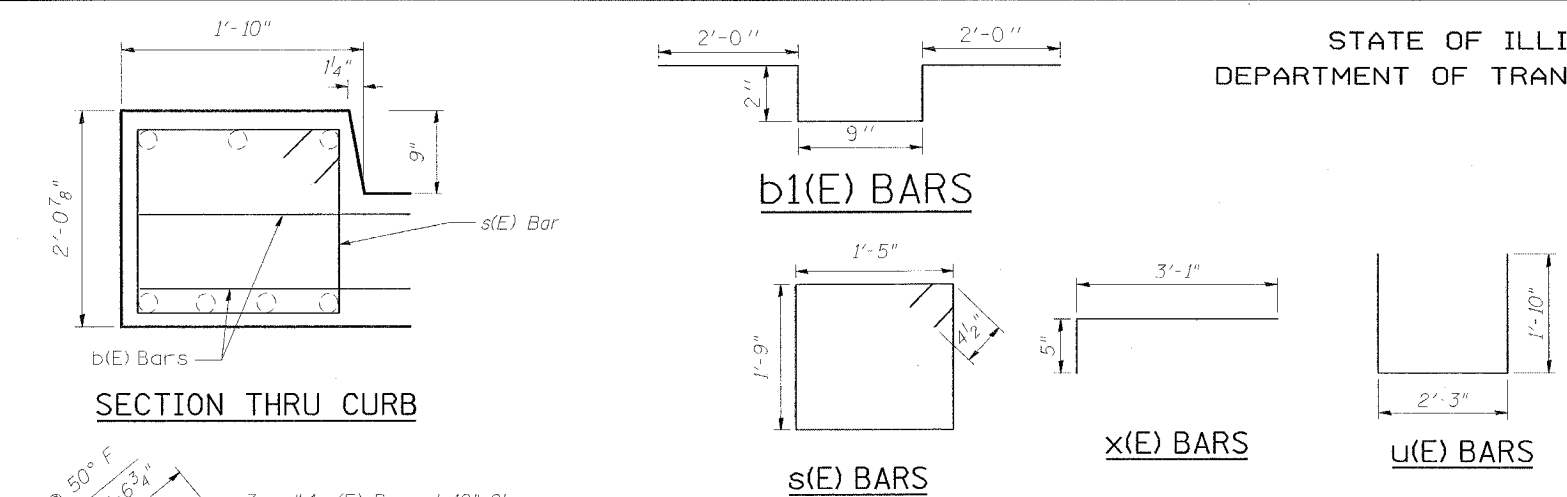
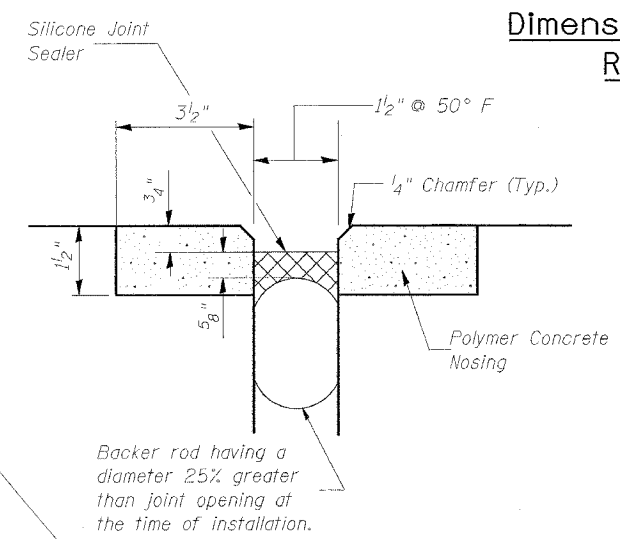


STATE OF ILLINOIS
DEPARTMENT OF TRANSPORTATION

ROUTE NO.	SECTION	COUNTY	ISSUE SHEETS	SHEET NO.
F. A. I. 57	*	UNION	15	12
FED. ROAD DIST. NO. 1	ILLINOIS	PROJECT		
D-9 CONT MAINT FY 05-9 CONTRACT 98900				



SECTION B-B
Dimensions measured @
Right Angles



DETAIL "A"
SILICONE
JOINT SEALER

091-0019
BILL OF MATERIAL

Bar	No.	Size	Length	Shape
b(E)	24	#5	30'-6"	—
b1(E)	30	#5	5'-1"	┌
h(E)	6	#6	27'-7"	—
s(E)	10	#4	7'-1"	□
u(E)	42	#5	5'-11"	└
x(E)	42	#5	3'-6"	└
Concrete Removal			Cu. Yd.	16.5
Concrete Superstructure			Cu. Yd.	16.3
Reinforcement Bars Epoxy Coated			Pound	1630
Silicone Joint Sealer			Foot	56
Polymer Concrete			Cu. Ft.	4.1
Temporary Shoring & Cribbing			L. S.	1

Reinforcement Bars designated (E) shall be Epoxy Coated.

EXPANSION JOINT DETAILS
ROUTE I-57 AT DONGOLA INTERCHANGE
ON RAMP "C" 219 OVER STREAM
STRUCTURE 091-0019
UNION COUNTY

DESIGNED	RKG
CHECKED	CNT
DRAWN	RKG
CHECKED	CNT

CONCRETE SUPERSTRUCTURE

HALF PLAN
091-0019