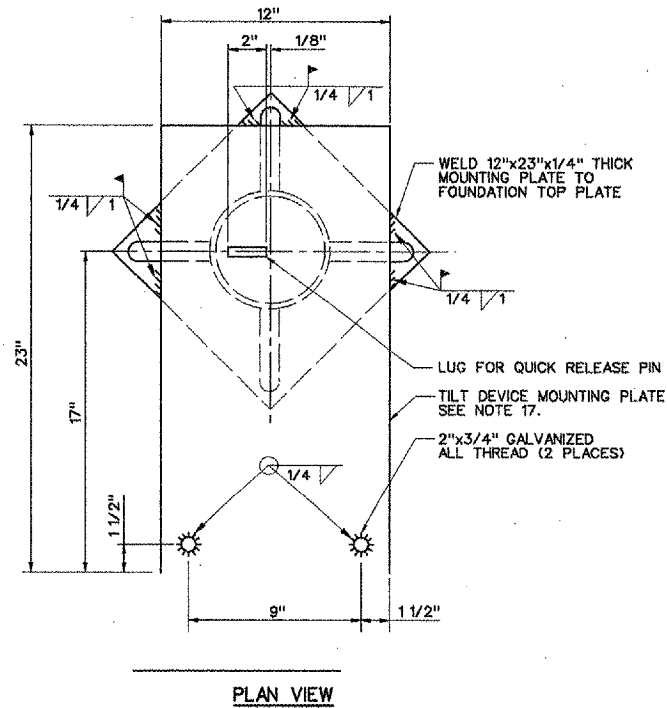


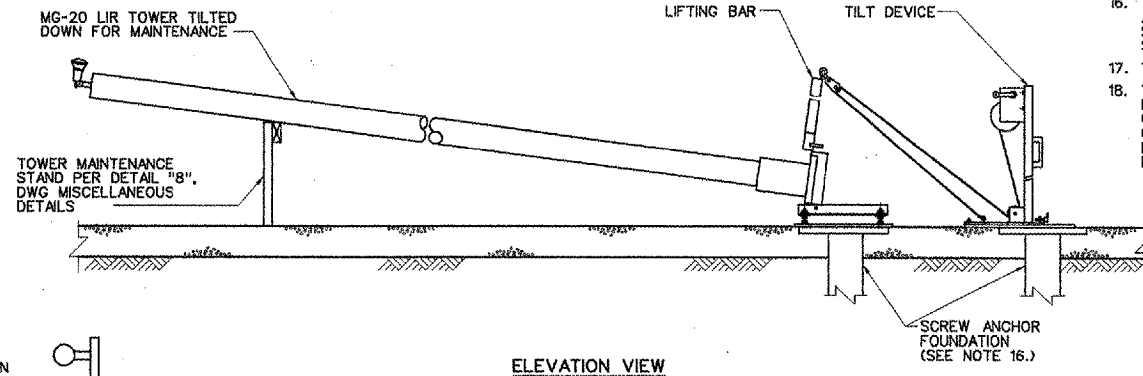
REVISIONS

NUMBER	BY	DATE

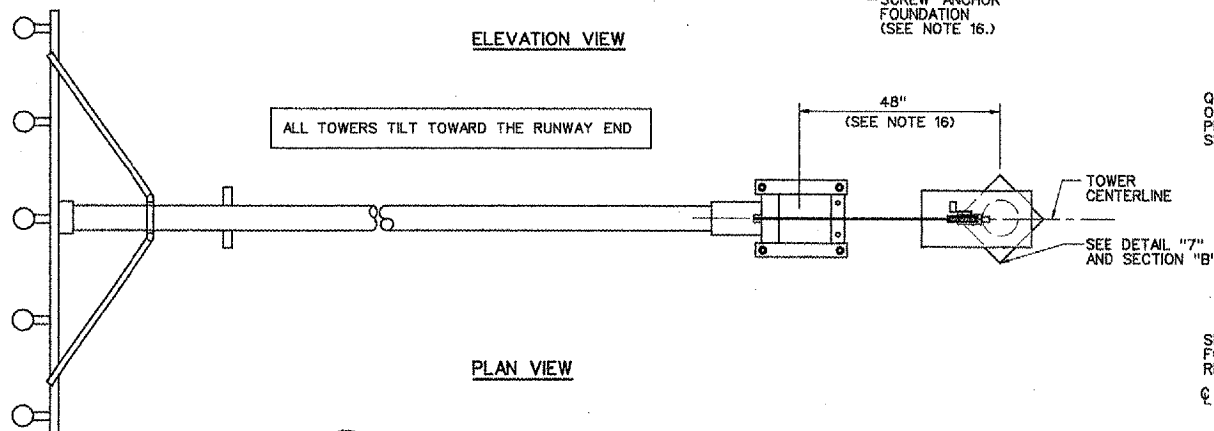
0 1 2
 THIS BAR IS EQUAL TO 2"
 AT FULL SCALE (34X22).



7 DETAIL-WINCH TILT DEVICE FOUNDATION FOR MG-20 LIR TOWER
 SCALE: IN INCHES



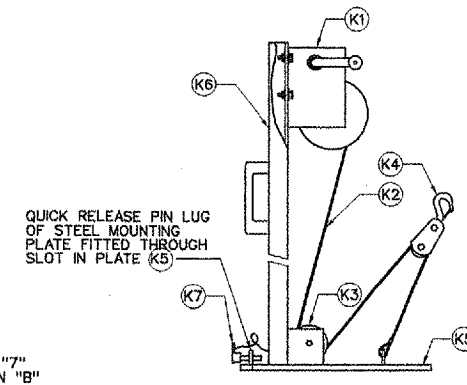
ELEVATION VIEW



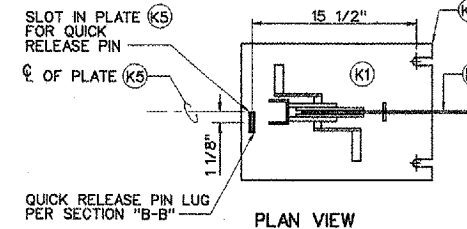
PLAN VIEW

8 DETAIL-WINCH TILT DEVICE FOUNDATION LAYOUT
 SCALE: NONE

- NOTES (CONTINUED):** CONSTRUCT THE MALS SUCH THAT:
- THE TILT DEVICE FOUNDATION IS A SCREW ANCHOR FOUNDATION, A.B. CHANGE CAT TH2-0282, 7' LONG. SEE SPECIFICATION FAA-GL-918C, SECTION 13D. THE WINCH TILT DEVICES LOCATED SO THAT THE STRUCTURE PIVOTS DOWN AWAY FROM THE WINCH.
 - THE MOUNTING PLATE IS FABRICATED PER DETAIL "7" AND SECTION "B".
 - TOPSOIL IS REMOVED TO A DEPTH OF 8". GEOTEXTILE FABRIC IS PLACED PER PARAGRAPH 2B.3 OF SPECIFICATION FAA-GL-918C, AND A 6" DEPTH OF CRUSHED ROCK IS PLACED AND COMPACTED FLUSH WITH SURROUNDING GRADE. THE FINISHED CRUSHED ROCK SURFACE HAS NO WATER-RETAINING DEPRESSIONS. A 3' WIDE BY 8" DEEP CRUSHED ROCK WALKWAY EXTENDS FROM THIS AREA TO THE ADJACENT ACCESS ROAD.



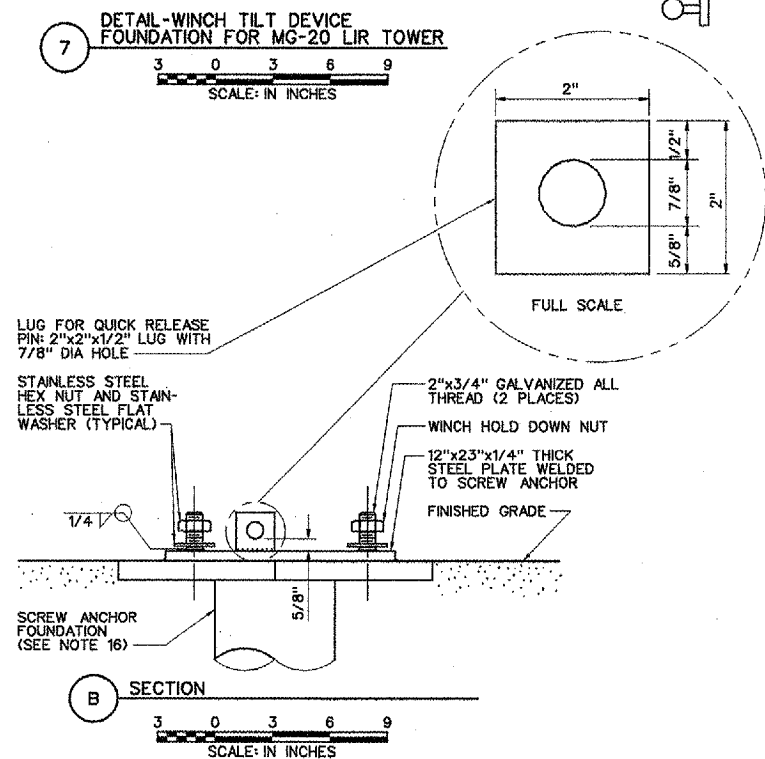
ELEVATION VIEW



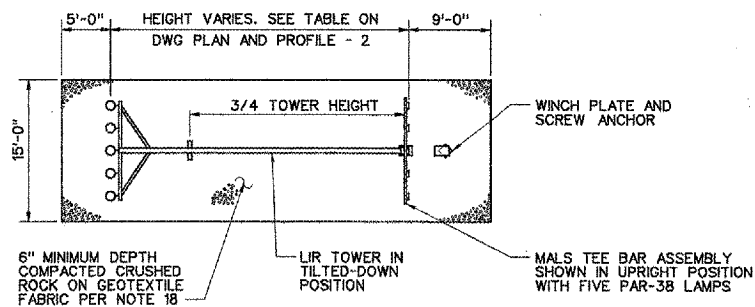
10 DETAIL-WINCH TILT DEVICE
 SCALE: NONE
 JAQUITH CAT NO L5005

NUMBERED LEGEND FOR DETAIL "10":

- (K1) WINCH
- (K2) CABLE
- (K3) PULLEY
- (K4) BLOCK W/SAFETY HOOK
- (K5) RECTANGULAR PLATE (ALUMINUM 12"x18"x3/8" APPROX)
- (K6) CHANNEL I2"x2"x1/4" - 36" LONG ALUM.
- (K7) CAPTIVE QUICK RELEASE PIN



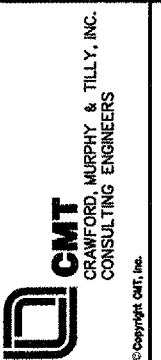
B SECTION
 SCALE: IN INCHES



9 DETAIL: CRUSHED ROCK MAINTENANCE AREA
 SCALE: NONE (STATIONS 127+25 THROUGH 131+25)

BLOOMINGTON-NORMAL AIRPORT AUTHORITY
 CENTRAL ILLINOIS REGIONAL AIRPORT
 BLOOMINGTON, ILLINOIS

MALS MG-20 LIR TOWER - 3



DESIGN BY: TM
 DRAWN BY: CMT
 CHECKED BY: RW
 APPROVED BY: RW
 DATE: 12/25/2004
 JOB No: 030850300